



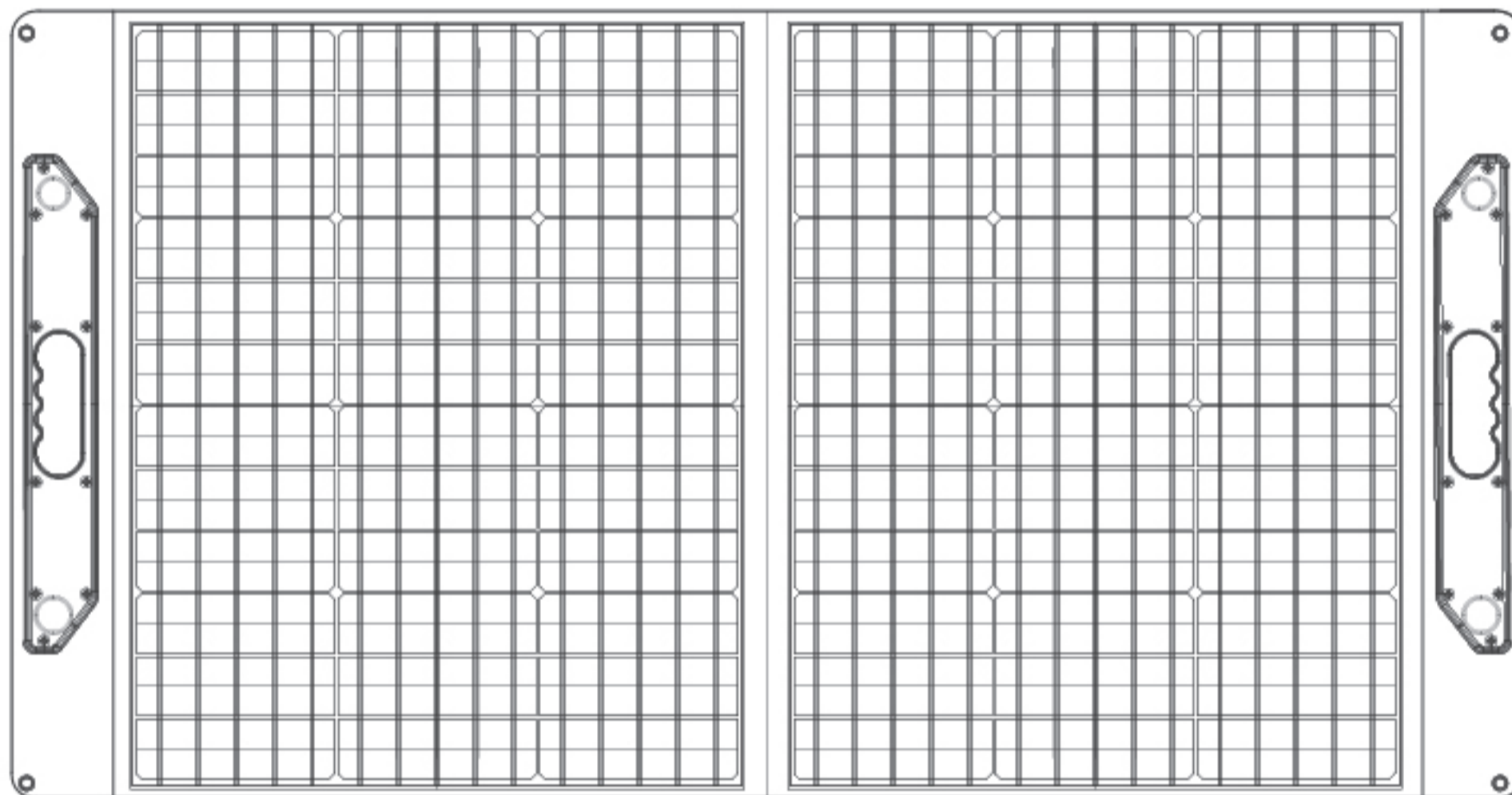
# 100W PORTABLE SOLAR PANEL

---

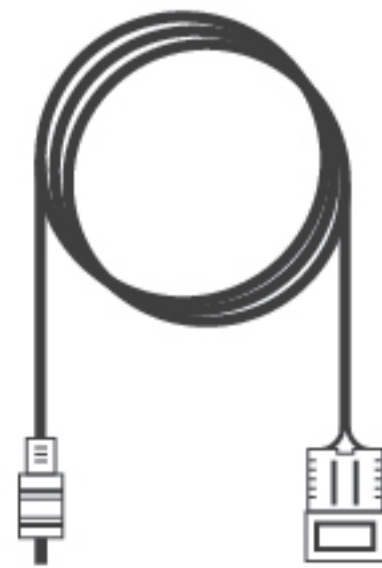
## USER MANUAL & WARRANTY

MODEL: PSP-100

### 100w portable solar panel



### Cables included



1\*(2M)  
DC5521 to Anderson Cable

Thank you for purchasing this Semookii product. Before operating, please read these instructions carefully. This instruction manual contains information for safe use and maintenance of the product.

**Please keep this instruction manual in a safe place for future reference.**

The manufacturer does not accept responsibility for any damages due to not following these instructions.

## TABLE OF CONTENTS

---

<b>General</b>	Pg.03
Safety Precautions for Using a Portable Solar Panel	
General Operation Notes	
<b>Product Overview</b>	Pg.05
100W Portable Solar Panel	
Cables	
<b>Before Using</b>	Pg.08
What's in the Box	
<b>Operation</b>	Pg.08
Installation	
Choose the location	
<b>Maintenance</b>	Pg.10
<b>Warranty Statement</b>	Pg.10

---

# GENERAL

---

**Please carefully read the following operation and safety instructions. Non-compliance with these instructions may void the product warranty.**

This guide contains information regarding the operation and safe handling Semookii solar panels and components. All operations must be read and understood before attempting operation. If there are any questions, please contact your dealer or Semookii customer support for further information.

The user should conform to all safety precautions in the guide when using solar panels. Before using a solar photovoltaic system (including cable, power station or other electric equipment), the user should be familiar with the mechanical and electrical requirements for photovoltaic systems. Keep this guide in a safe place for future reference.

- All solar panels come with permanently attached output ports. Your dealer can provide additional extension cables to simplify module wiring.
- Exercise caution when wiring or handling solar panels exposed to sunlight.
- Photovoltaic solar panels convert light energy to direct-current electrical energy and are designed for outdoor use.
- Solar panels may be hung, placed flat, or use provided kickstand to face towards the sun.
- Do not frequently connect or disconnect wires attached to solar panels when they are exposed to sunlight in order to extend panel service life.
- Do not attempt to disassemble the solar panel, and do not remove any attached nameplates or components. Doing so will void the warranty.
- Do not apply paint or adhesive to the solar panel.
- Do not use mirrors or other hardware to artificially concentrate sunlight on the solar panel.

---

## **Safety Precautions for Using a Portable Solar Panel**

- Solar panels produce electrical energy when exposed to sunlight.
- Observe the instructions and safety precautions for all other components used in the system, including wiring, cables, connectors, and etc.
- Use only equipment, connectors, wiring, and mounting hardware suitable for use in a photovoltaic system.

Always use the same type of solar panel in a particular photovoltaic system.

- Under normal operating conditions, solar panels will produce currents and voltages that may vary from those listed in the data sheet. Data sheet values are applicable at standard test conditions only.

## **General Operation Notes**

- Do not stand or step on the solar panel.
- Do not drop the solar panel or allow objects to fall on the solar panel.
- Do not place any heavy objects on the solar panel.

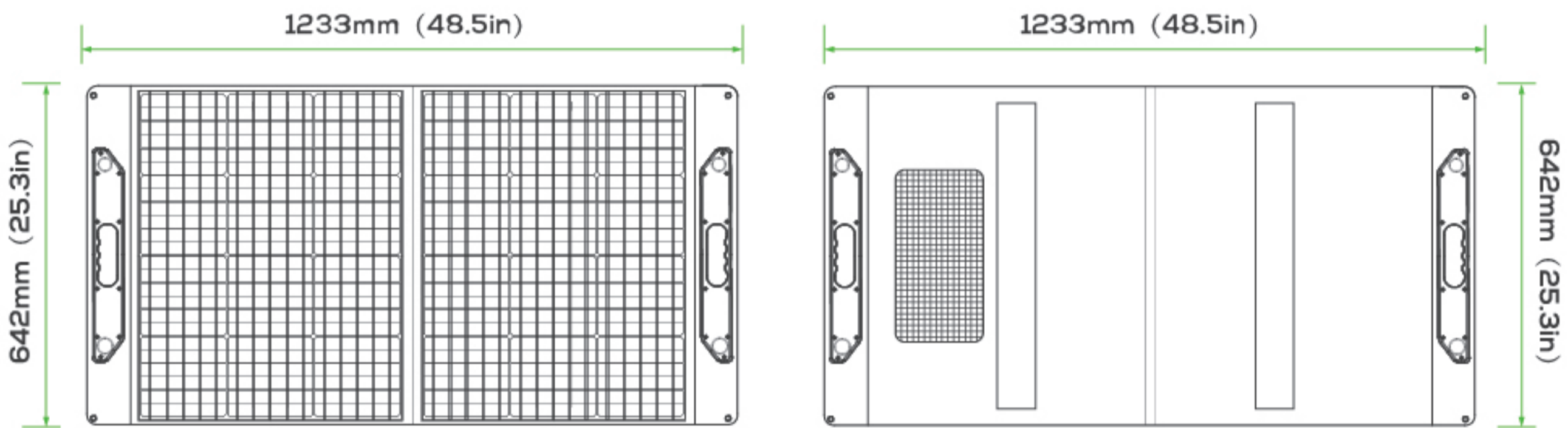
# PRODUCT OVERVIEW

---

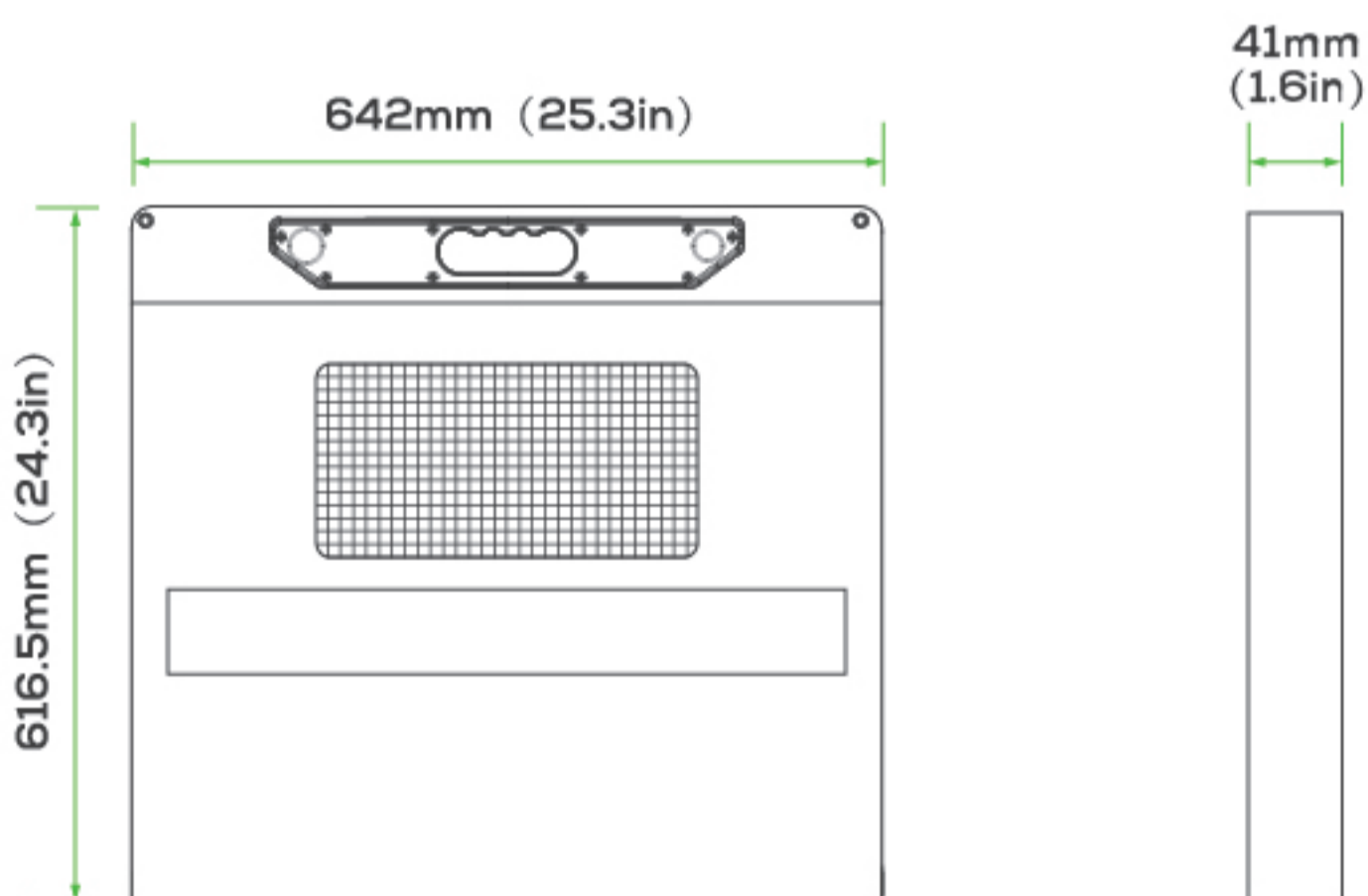
## 100W Portable Solar Panel (PSP-100)

Semookii solar panels are made of monocrystalline solar cells in series with high efficiency, high transmission rate, and anti-aging EVA. They are designed for easy use, extended longevity, and portable operation.

### Unfolded View of the 100W Portable Solar Panel



### Folded View of the 75W Portable Solar Pane



---

## Specifications

Maximum Power (Pmax)	100W
Max Power Voltage (Vmp)	19.8V
Max Power Current (Imp)	5.05A
Open Circuit Voltage (Voc)	23.7V
Short Circuit Current (Isc)	5.30A
Cell Efficiency	22%
Cell Type	Monocrystalline
Power tolerance	± 10%
Temperature Co-efficient (Power)	-0.45%/K
Temperature Co-efficient (Voltage)	-0.32%/K
Temperature Co-efficient (Current)	+0.02%/K
NOCT (Air 20°C, Sun 0.8kW/m <sup>2</sup> , Wind 1m/s)	45±2°C
Weight (Includes Accessory Items)	5.25kg/ (11.6lbs)
Operation Temperature	-4°F to 149°F (-20°C to 65°C )
IP Rating	IP65

---

## Cables

- Passed conduction test, there was no short circuit, open circuit, dislocation, etc.
- Cables are free of dirt, scratches, damage, color difference or other defects.
- All materials meet RoHS environmental standards.

## Specifications

Category	Location	Description	Cable Length	Wire Specification	Remark
Output Ports	From junction box	DC 7909	2M	1.29mm	/
		TypeC (PD 60W)	/	/	Built In
		DC 5521			
		USB 2.0			
		USB 3.0			
		LED Indicator			
Accessories	/	DC 5521 to Anderson cable	2M	1.29mm	/

# BEFORE USING

---

## What's in the Box

Make sure you have all the following items included in the package. If any item is damaged or missing, contact your dealer.

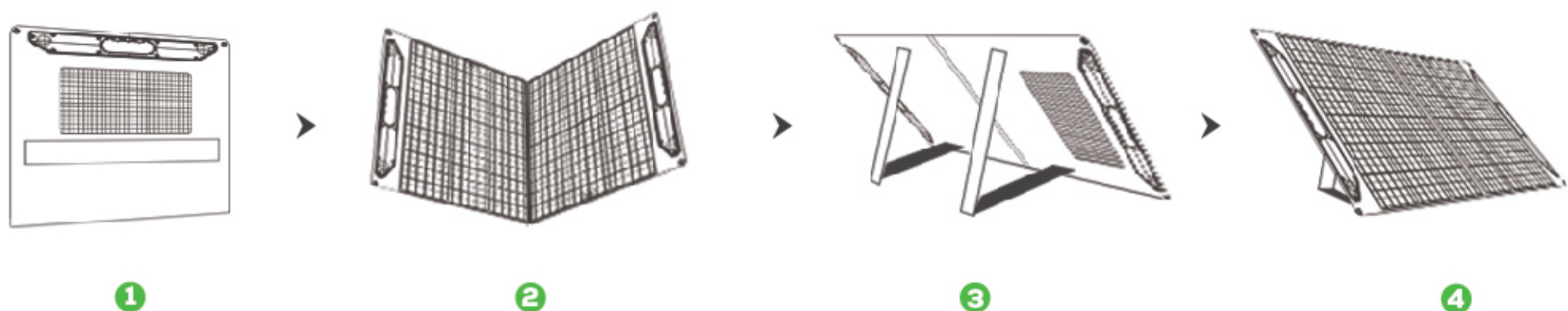
- 1 x 100W Portable Solar Panel
- 1 x 2M DC5521 to Anderson cable
- User Manual

## OPERATION

---

### Installation

- Remove the product from the box.
- **Unfold the portable solar panel:**  
Lift and lay flat the portable solar panel;  
Unfold the two sides of the panel.
- **Support the portable solar panel like the diagram below:**  
Prop up the stands of the portable solar panel;  
Stand the panels with locked legs on a flat surface.
- **Adjust the face of the portable panel toward the sunlight.**





---

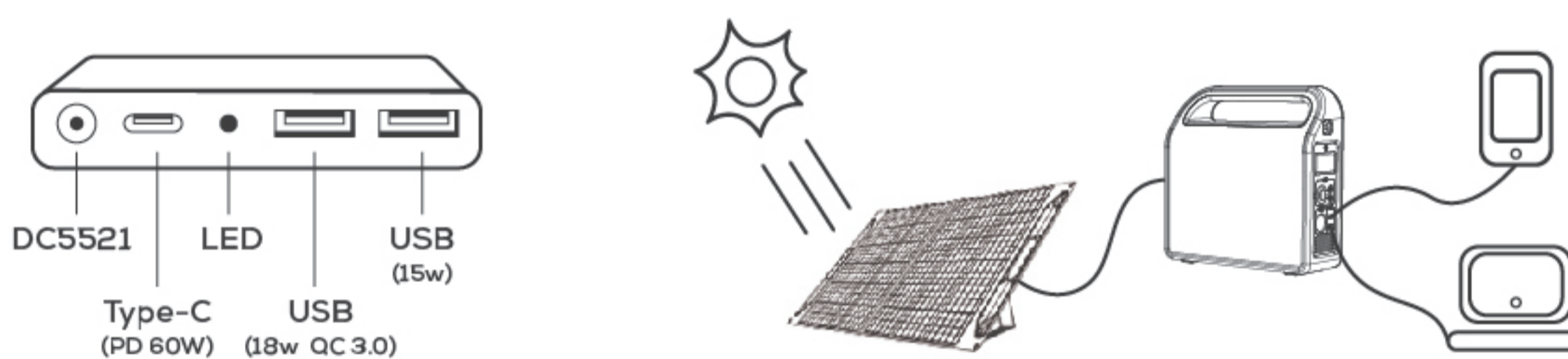
## Choose the location

- Choose a flat location to place the solar panel.
- Place the solar panel in an open location. Make sure the panel can be exposed to the sun directly and avoid any shadow on the surface.
- Make sure the angle between panel and the sunlight is close to 90 degrees.

## System Connection

- Connect the solar panel to the power station directly.
- Connect the power station to the electronic equipment, like phone, iPad, laptop and so on.

## Output Ports



## LED Indicator

- Red Light – panel exposed to sun light
- Green Light – after connect electronic equipment to the type C output port

Note: The electronic equipment can also be charged using solar panel output ports: USBs, DC port or Type-C, while there is no power station.

## MAINTENANCE

---

- Clean the surface of the solar panel when needed. Always use a soft sponge or cloth for cleaning. A mild, non-abrasive cleaning detergent may be used to remove stubborn dirt. Don't clean when the panel surface is hot.
- Clean solar panels more frequently during drier months, as they may become covered in dust more quickly. A pressure washer is not recommended.
- Caution: Observe the maintenance instructions for all components used in the system, such as support frames, charge controller, batteries, etc.

## WARRANTY STATEMENT

---

Semookii warrants to the original consumer purchaser that the Semookii product will be free from defects in workmanship and material under normal consumer use during the applicable warranty period identified in the 'Warranty Period' section below, subject to the exclusions set forth below. This warranty statement sets forth Semookii total and exclusive warranty obligation. We will not assume, nor authorize any person to assume for us, any other liability in connection with the sale of our products.

### **Warranty Period**

The warranty period is 24 months. In each case, the warranty period is measured starting on the date of purchase by the original consumer purchaser. The sales receipt from the first consumer purchase, or other reasonable documentary proof, is required in order to establish the start date of the warranty period.

---

## **Remedy**

Semookii will repair or replace (at Semookii option) any Semookii product that fails to operate during the applicable warranty period due to defect in workmanship or material. If a valid claim is made during the applicable period, Semookii, at its option, will either (1) replace the product, or (2) exchange the product with a product that is of equal value. A replacement product assumes the remaining warranty of the original product or 60 days from the date of replacement, whichever is greater. Customer is responsible for the return shipping costs.

## **Limited to Original Consumer Buyer**

The warranty on Semookii products is limited to the original consumer purchaser.

## **Exclusions**

Semookii warranty does not apply to (I) any product that is misused, abused, modified, damaged by accident, or used for anything other than normal consumer use as authorized in Semookii current product literature, or (II) any product purchased through an online auction house.

## **How to Receive Service**

To obtain warranty service, you must contact our customer service team. If our customer service team determines that further assistance is required, they will provide you with return instructions. You must properly package the product, including proof of your purchase date with the product. We will process your return and send your repaired or replacement product to you.

## Exclusive Remedy; Limitation of Liability

The foregoing provisions state Semookii entire liability, and your exclusive remedy, for any breach of warranty, express or implied.

**IN NO EVENT WILL SEMOOKII BE LIABLE FOR ANY CONSEQUENTIAL OR INCIDENTAL DAMAGES ARISING FROM ANY USE OR MALFUNCTION OF ANY SEMOOKII PRODUCT, OR FROM ANY BREACH OF WARRANTY, INCLUDING DAMAGE TO OTHER DEVICES. IN NO EVENT WILL SEMOOKII'S LIABILITY FOR ANY CLAIM, WHETHER IN CONTRACT, WARRANTY, TORT (INCLUDING NEGLIGENCE AND STRICT LIABILITY) OR UNDER ANY OTHER THEORY OF LIABILITY, EXCEED THE AMOUNT PAID BY YOU FOR THE SEMOOKII PRODUCT.**

Some states or provinces do not allow the exclusion or limitation of incidental or consequential damages, so the above limitation or exclusion may not apply to you.

## Product Label

# SEMOKII

Model Type	<b>PSP -100</b>
Max Peak Power (P <sub>max</sub>   W)	<b>100W</b>
Maximum Power Point Voltage (V <sub>mp</sub>   V)	<b>19.8V</b>
Maximum Power Point Current (I <sub>mp</sub>   A)	<b>5.05A</b>
Open Circuit Voltage (V <sub>oc</sub>   V)	<b>23.7V</b>
Short Circuit Current (I <sub>sc</sub>   A)	<b>5.30A</b>
Normal Operating Cell Temperature (NOCT)	<b>113°F/45°C</b>
Temperature Range(°C)	<b>-68°F~-149°F (-20°C~65°C)</b>
Power Tolerance	<b>±10%</b>
Gross Weight kg / (lb)	<b>5.8kg / (12.8lb)</b>
Net Weight kg / (lb)	<b>5.25 kg / (11.6lb)</b>
Dimensions (unfolded) mm / in	<b>1233 x 642 x 6 mm / 48.5 x25.3 x 0.2 in</b>
Dimensions (folded) mm / in	<b>616.5 x 642 x 41 mm / 24.3x 25.3x 1.6 in</b>

All technical data at Standard Test Condition (STC)  
Standard Test Condition  
(E = 1000W/m<sup>2</sup>, T<sub>c</sub> = 77°F/25°C, AM 1.5)



Only qualified personnel should install or perform maintenance work on these modules.

This unit produces electricity if exposed to light.

Follow all applicable electrical safety precautions.

Don't disconnect when loading.

Don't damage or scratch the surface of the modules.



## MPMC POWERTECH CORP.

E-Mail: [sales@semookii.com](mailto:sales@semookii.com)

Web: [www.semookii.com](http://www.semookii.com)

Address: 3rd Floor, Building 1, Powerlong City Plaza, No.2449 Jinhai Rd., Pudong, Shanghai