

CNTD®



Pushbutton Switch Division

LA38 Pushbutton Switch Ø22

C01-09

LA36 Pushbutton Switch Ø22

C10-13

LA38M Pushbutton Switch

C14-22

LA36M Pushbutton Switch Ø22

C23-25

CB2 Pushbutton Switch Ø22

C26-34

LD16 Indicator Light Ø22

C35-36

C2、C3 Pushbutton Switch

C37-50

C



Features

- In this series, the button head and the middle are connected with in-line fixed installation method . It is resistant to shock、 drop and vibration, and is suitable for use in harsh environments.
- In this series, a guide rod installed in the movable leaf spring makes contacting more stable and consistent, which greatly improves electrical performance stability and life; The wiring identification plate is embedded for easy installation and hard to lose; The performance parameters of laser printing ensure long-term use without affecting recognition.
- Composed of button head, middle and contact , adopting advanced non-fastener self-locking connection, safe and reliable, easy to assemble and disassemble, installed on the Ø22mm panel by using wrench without any accessories makes the installation more robust and reliable.
- Using high-quality engineering flame-retardant materials, excellent insulation performance and reliable contact.
- Products comply with standards such as IEC60947-5-1, GB/T14048.5.
- The contact elements are flat pressing and quick-acting, the contact bases (up to 4)can be combined as required and each contact base can be installed with 2 groups of contact elements,which can meet the requirements of making specific control circuits.
Installation aperture: Ø22mm
- Function: self-reset pushbutton switch, self-locking pushbutton switch, illuminated pushbutton switch, Knob Switch, key switch, E-Stop pushbutton switch, mushroom pushbutton switch, stainless steel pushbutton switch, twin pushbutton switch.
- Switch contact combination: 01/10/02/20/11/22/03/30/04/40/12/21/13/31
- Degree of protection: IP40, IP65 for some customized products.

Installation Notes



The three-position knobs need to be installed directionally(look for 'TOP') ,others don't .

Switch Ratings

Rated insulation voltage Ui		600V					
Rated thermal current Ith		10A					
Rated operational voltage Ue		24V	48V	110V	220V	380V	
Rated operational current Ie	AC 50/60Hz	Resistive load	10A	-	10A	6A	-
		Inductive load	10A	-	6A	3A	2A
	DC	Resistive load	8A	4A	2.2A	1.1A	-
		Inductive load	4A	2A	1.2A	0.6A	-
Contact material		Silver alloy					
Minimum applicable load: 3V AC.DC 5mA(Reference value) (The applicable range depends on the use environment and load type)							

Specifications

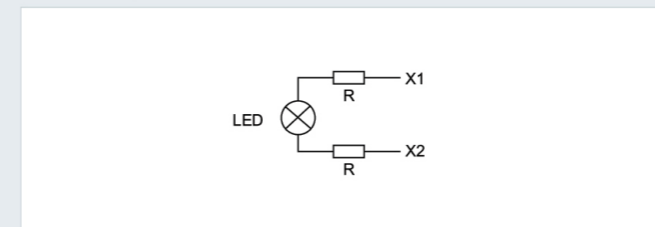
Ambient temperature	-25℃ ~+75℃ (With no icing)
Humidity	45~85%RH
Contact resistance	≤50mΩ
Insulation resistance	≥100MΩ
Power frequency withstand voltage	1890VAC/50Hz/60s
Vibration resistance	Amplitude: about 1.0mm/50Hz
Impact resistance	> 10g
Degree of protection	IP40
Electrical life	≥100,000 times
Wiring capacity	Maximum: 2 × 1.5mm ² or 1 × 2.5mm ² , Minimun: 2 × 0.75mm ² , Maximum insert: 6.3 × 0.8mm

LED Specifications

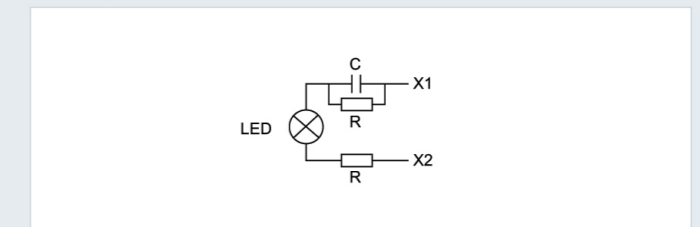
LED type	Bidirectional LED		
	AC/DC 6V	AC/DC 12V	AC/DC 24V
	AC/DC 36V	AC/DC 48V	AC/DC 110V
	AC/DC 220V	AC/DC 380V	
Rated voltage	AC 110V	AC 220V	AC 380V
Emitting color	● RD ● GN ● YE ● BL ○ WH ● BK		
Life	≥40000h		

Lamp Holder Circuit Schematic

■ AC/DC lamp holder



■ AC lamp holder





Contact Form Description

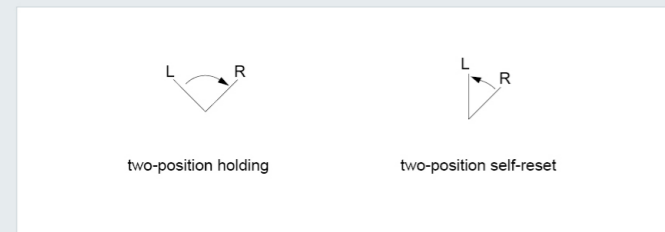
The two digits in the model number represent the contact form

- The first digit "1" indicates the first pair of contacts on the first section of the element, "2" means the second pair.
- The second digit "1, 2" represents the 2 terminals of NC contact, and "3, 4" represents the 2 terminals of NO contact.

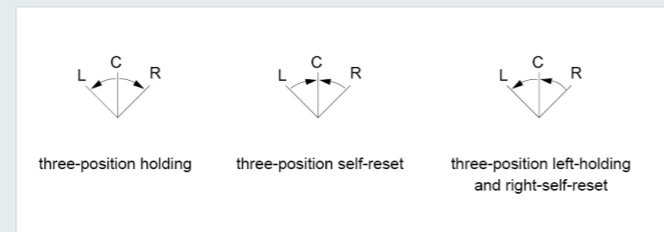
Contact code	11	20	02	10	01
Contact name	1NO1NC	2NO	2NC	1NO	1NC
State diagram					

Working Position And Contact State

Two-position and contact ON AND OFF state diagram



Three-position and contact ON AND OFF state diagram



Type		
LA38-11 ■-2		
LA38-20 ■-2		
LA38-02 ■-2		
LA38-22 ■-2		
LA38-31 ■-2		
LA38-13 ■-2		
LA38-40 ■-2		
LA38-04 ■-2		

Type			
LA38-11 ■-3			
LA38-20 ■-3			
LA38-02 ■-3			
LA38-22 ■-3			
LA38-31 ■-3			
LA38-13 ■-3			
LA38A-40 ■-3			
LA38A-04 ■-3			

Model Number Structure



LA38-						
Serial number	Contact type	Operation type	Select switch position	Function	Color	Lamp voltage
	01: 1NC 10: 1NO 02: 2NC 20: 2NO 11: 1NO1NC 22: 11+11 03: 02+01 30: 20+10 04: 02+02 40: 20+20 12: 11+01 21: 11+10 13: 11+02 31: 11+20 NO/NC contact combinations based on needs.	PN: Self-reset flat button PNZS: Self-locking flat button PND: Illuminated self-reset flat button PNDZS: Illuminated self-locking flat button GN: Self-reset high button GNZS: Self-locking high button GND: Illuminated self-reset high button GNDZS: Illuminated self-locking high button S: Stainless steel self-reset flat button SZS: Stainless steel self-locking flat button SD: Illuminated stainless steel self-reset flat button SDZS: Illuminated stainless steel self-locking flat button M40/60: Mushroom self-reset button MZS40/60: Mushroom self-locking button MD40/60: Illuminated mushroom self-reset button MDZS40/60: Illuminated mushroom self-locking button ZS40/60: E-Stop button ZSD40/60: Illuminated E-stop button X: Knob XC: Long knob XD: Illuminated knob Y: Key button PNSW: Twin flat pushbutton PNDSW: Illuminated flat button GNSW: Twin high pushbutton GNDSW: Illuminated twin high pushbutton	21: Two-position holding type 22: Two-position self-reset type 31: Three-position holding type 32: Three-position left-holding and right-self-reset type 33: Three-position self-reset type	Q: Painted plastic head C: Plastic head L: Aluminum head S: Stainless steel head FH1: "↓" custom code FH2: "○" custom code FH3: "-" custom code FH4: "=" custom code FH5: "START" custom code FH6: "STOP" custom code IP65: Custom IP65 button K: Anti-interference illuminated button		AC/DC 6V AC/DC 12V AC/DC 24V AC/DC 36V AC/DC 48V AC/DC 110V AC/DC 220V AC/DC 380V AC 110V AC 220V AC 380V

For the optional colors of some types, please refer to product selection (illuminated product without black)

The above table is the type explanation. Some combinations have no actual products. For details, please refer to product selection or consulting manufacturers.



Appearance and Dimension

Function type	Location symbol	Product reference
Self-reset flat pushbutton switch	-	LA38-11PN-L-○
Self-locking flat pushbutton switch	-	LA38-11PNZS-L-○

Color: ● ● ● ● ● ●

Function type	Location symbol	Product reference
Illuminated self-reset flat pushbutton switch	-	LA38-11PND-L-○△
Illuminated self-locking flat pushbutton switch	-	LA38-11PNDZS-L-○△

Color: ● ● ● ● ● ●

Function type	Location symbol	Product reference
Self-reset flat-pushbutton switch with custom code	↓ ○	LA38-11PN-L/FH*-○
Self-locking flat-pushbutton switch with custom code	 启动 STOP	LA38-11PNZS-L/FH*-○

Color: ● ● ● ● ● ●

Function type	Location symbol	Product reference
Self-reset high pushbutton switch	-	LA38-11GN-L-○
Self-locking high pushbutton switch	-	LA38-11GNZS-L-○

Color: ● ● ● ● ● ●

Appearance and Dimension

Function type	Location symbol	Product reference
Illuminated self-reset high pushbutton switch	-	LA38-11GND-L-○△
Illuminated self-locking high pushbutton switch	-	LA38-11GNDZS-L-○△

Color: ● ● ● ● ●

Function type	Location symbol	Product reference
Stainless steel self-reset flat pushbutton switch	-	LA38-11S-S
Stainless steel self-locking flat pushbutton switch	-	LA38-11SZS-S

Color: ●

Function type	Location symbol	Product reference
Illuminated stainless steel self-reset pushbutton switch	-	LA38-11SD-S-○△
Illuminated stainless steel self-locking pushbutton switch	-	LA38-11SDZS-S-○△

Color: ● ● ● ● ● ●

Function type	Location symbol	Product reference
Two-position holding knob switch	L R	LA38-11X21-L-BK
Two-position self-reset knob switch	L R	LA38-11X22-L-BK
Three-position holding knob switch	L C R	LA38-20X31-L-BK
Three-position self-reset knob switch	L C R	LA38-20X33-L-BK
Three-position left-holding & right-self-reset knob switch	L C R	LA38-20X32-L-BK

Color: ●



Appearance and Dimension

Function type	Location symbol	Product reference
Two-position holding long-knob switch		LA38-11XC21-L-BK
Two-position self-reset long-knob switch		LA38-11XC22-L-BK
Three-position holding long-knob switch		LA38-20XC31-L-BK
Three-position self-reset long-knob switch		LA38-20XC33-L-BK
Three-position left-holding & right-self-reset long-knob switch		LA38-20XC32-L-BK

Color:

Function type	Location symbol	Product reference
Illuminated two-position holding knob switch		LA38-11XD21-L-○△
Illuminated two-position self-reset knob switch		LA38-11XD22-L-○△
Illuminated three-position holding knob switch		LA38-20XD31-L-○△
Illuminated three-position self-reset knob switch		LA38-20XD33-L-○△
Illuminated three-position left-holding & right-self-reset knob switch		LA38-20XD32-L-○△

Color:

Function type	Location symbol	Product reference
Two-position holding key-pushbutton switch		LA38-11Y21-L
Two-position self-reset key-pushbutton switch		LA38-11Y22-L
Three-position holding key-pushbutton switch		LA38-20Y31-L
Three-position self-reset key-pushbutton switch		LA38-20Y33-L
Three-position left-holding & right self-reset key-pushbutton switch		LA38-20Y32-L

Function type	Location symbol	Product reference
Twin pushbutton switch		LA38-11PNSW-Q

Appearance and Dimension

Function type	Location symbol	Product reference
Illuminated twin pushbutton switch		LA38-11PNSW-Q-YE △

Default Yellow
Color:

Function type	Location symbol	Product reference
40 E-Stop pushbutton switch	-	LA38-11ZS40-C-RD

Default red
Color:

Function type	Location symbol	Product reference
Illuminated 40 E-Stop pushbutton switch	-	LA38-11ZSD40-C-RD △

Default red
Color:

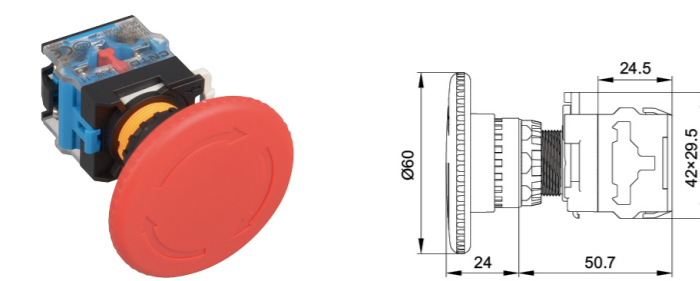
Function type	Location symbol	Product reference
40 E-Stop pushbutton switch with "STOP" custom code	STOP	LA38-11ZS40-C/FH6-RD

Default red
Color:

LA38 Pushbutton Switch Ø22

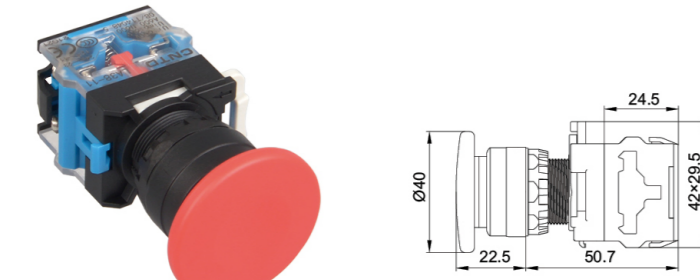


Appearance and Dimension



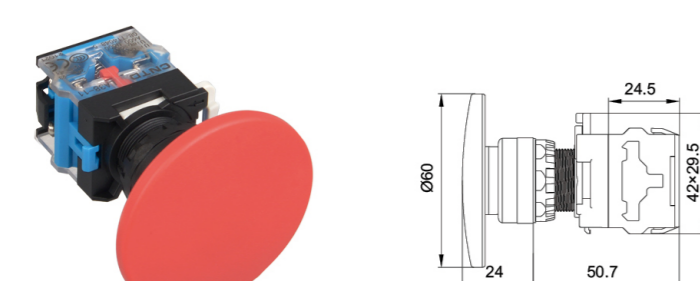
Function type	Location symbol	Product reference
60 E-Stop pushbutton switch	-	LA38-11ZS60-C-RD

Default red
Color: ●



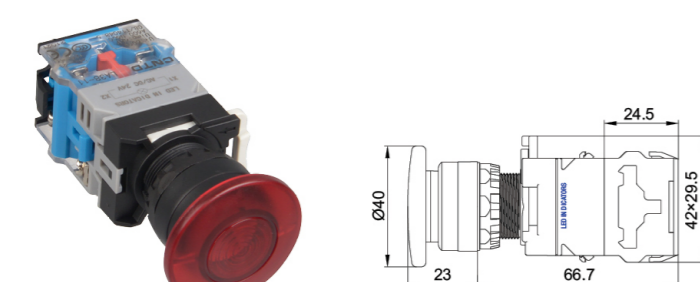
Function type	Location symbol	Product reference
40 Mushroom self-reset pushbutton switch	-	LA38-11M40-Q-Ø
40 Mushroom self-locking pushbutton switch	-	LA38-11MZS40-Q-Ø

Color: ● ●



Function type	Location symbol	Product reference
60 Mushroom self-reset pushbutton switch	-	LA38-11M60-Q-Ø
60 Mushroom self-locking pushbutton switch	-	LA38-11MZS60-Q-Ø

Color: ●



Function type	Location symbol	Product reference
Illuminated 40 mushroom self-reset pushbutton switch	-	LA38-11MD40-Q-ØΔ
Illuminated 40 mushroom self-locking pushbutton switch	-	LA38-11MDZS40-Q-ØΔ

Color: ● ● ●

LA36 Pushbutton Switch Ø22

Model Number Structure



LA36-	○	■	□	-▲	-○	△
Serial number	Contact type	Operation type	Select switch position	Function	Color	Lamp voltage
	01: 1NC 10: 1NO 02: 2NC 20: 2NO 11: 1NO1NC 22: 11+11 03: 02+01 30: 20+10 04: 02+02 40: 20+20 12: 11+01 21: 11+10 13: 11+02 31: 11+20 NO/NC contact combinations based on needs.	PN: Self-reset flat button PNZS: Self-locking flat button PND: Illuminated self-reset flat button PNDZS: Illuminated self-locking flat button GN: Self-reset high button GNZS: Self-locking high button GND: Illuminated self-reset high button GNDZS: Illuminated self-locking high button M40/60: Mushroom self-reset button MZS40/60: Mushroom self-locking button MD40/60: Illuminated mushroom self-reset button MDZS40/60: Illuminated mushroom self-locking button X: Knob XC: Long knob XD: Illuminated knob	21: Two-position holding type 22: Two-position self-reset type 31: Three-position holding type 32: Three-position left-holding and right-self-reset type 33: Three-position self-reset type	C: Plastic head T: Transparent head FH1: "↓" custom code FH2: "○" custom code FH3: "-" custom code FH4: "=" custom code FH5: "START" custom code FH6: "STOP" custom code IP65: Custom IP65 button K: Anti-interference illuminated button	<div style="display: flex; flex-direction: column; align-items: center;"> <div style="display: flex; gap: 5px;"> ● ● ● ● WH BK </div> <p style="font-size: small; text-align: center;">For the optional colors of some types, please refer to product selection (illuminated product without black)</p> </div>	AC/DC 6V AC/DC 12V AC/DC 24V AC/DC 36V AC/DC 48V AC/DC 110V AC/DC 220V AC/DC 380V AC 110V AC 220V AC 380V

The above table is the type explanation. Some combinations have no actual products. For details, please refer to product selection or consulting manufacturers.



Appearance and Dimension

Function type	Location symbol	Product reference
Self-reset flat-pushbutton switch	-	LA36-11PN-C-○
Self-locking flat-pushbutton switch	-	LA36-11PNZS-C-○

Color: ● ● ● ● ● ●

Function type	Location symbol	Product reference
Illuminated self-reset flat-pushbutton switch	-	LA36-11PND-C-○△
Illuminated self-locking flat-pushbutton switch	-	LA36-11PNDZS-C-○△

Color: ● ● ● ● ●

Function type	Location symbol	Product reference
Transparent illuminated self-reset flat-button	-	LA36-11PND-T-○△

Color: ● ● ● ● ●

Function type	Location symbol	Product reference
Self-reset flat-pushbutton switch with custom code	↓ ○	LA36-11PN-C/FH*-○
Self-locking flat-pushbutton switch with custom code	 启动 STOP	LA36-11PNZS-C/FH*-○

Color: ● ● ● ● ● ●

Appearance and Dimension

Function type	Location symbol	Product reference
Self-reset high-pushbutton switch	-	LA36-11GN-C-○
Self-locking high-pushbutton switch	-	LA36-11GNZS-C-○

Color: ● ● ● ● ● ●

Function type	Location symbol	Product reference
Illuminated self-reset high-pushbutton switch	-	LA36-11GND-C-○△
Illuminated self-locking high-pushbutton switch	-	LA36-11GNDZS-C-○△

Color: ● ● ● ● ●

Function type	Location symbol	Product reference
40 Mushroom self-reset pushbutton switch	-	LA36-11M40-C-○
40 Mushroom self-locking pushbutton switch	-	LA36-11MZS40-C-○

Color: ● ●


Function type	Location symbol	Product reference
60 Mushroom self-reset pushbutton switch	-	LA36-11M60-C-○
60 Mushroom self-locking pushbutton switch	-	LA36-11MZS60-C-○

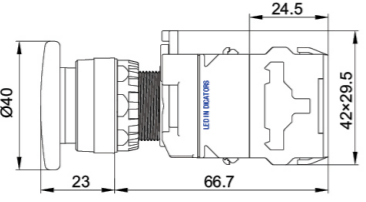
Color: ●

LA36 Pushbutton Switch Ø22




Appearance and Dimension

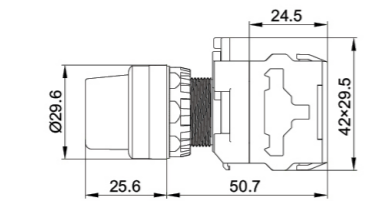




Function type	Location symbol	Product reference
Illuminated 40 mushroom self-reset pushbutton switch		LA36-11MD40-C-○△
Illuminated 40 mushroom self-reset pushbutton switch		LA36-11MDZS40-C-○△


Color: ● ● ●

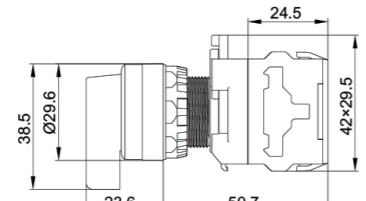




Function type	Location symbol	Product reference
Two-position holding knob switch		LA36-11X21-C-BK
Two-position self-reset knob switch		LA36-11X22-C-BK
Three-position holding knob switch		LA36-20X31-C-BK
Three-position self-reset knob switch		LA36-20X33-C-BK
Three-position left-holding & right self-reset knob switch		LA36-20X32-C-BK


Color: ● ● ● ●

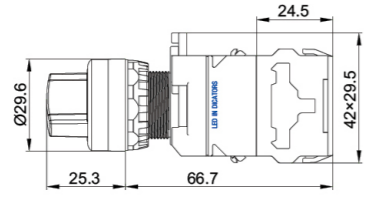




Function type	Location symbol	Product reference
Two-position holding long-knob switch		LA36-11XC21-C-BK
Two-position self-reset long-knob switch		LA36-11XC22-C-BK
Three-position holding long-knob switch		LA36-20XC31-C-BK
Three-position self-reset long-knob switch		LA36-20XC33-C-BK
Three-position left-holding & right self-reset long-knob switch		LA36-20XC32-C-BK

Color: ●





Function type	Location symbol	Product reference
Illuminated two-position holding knob switch		LA36-11XD21-C-○△
Illuminated two-position self-reset knob switch		LA36-11XD22-C-○△
Illuminated three-position holding knob switch		LA36-20XD31-C-○△
Illuminated three-position self-reset knob switch		LA36-20XD33-C-○△
Illuminated three-position left-holding & right self-reset knob switch		LA36-20XD32-C-○△

Color: ● ● ●

LA38M、LA36M Pushbutton Switch Ø22



Installation Notes



The three-position knobs need to be installed directionally(look for 'TOP'), others don't.

Features

- This series of products, the button head and the middle seat are connected by multi-point clamping, in-line fixed installation, impact resistance, drop resistance, vibration resistance, suitable for use in various harsh environments.
- It is composed of button head, middle seat and contact seat. It adopts advanced selflocking connection without fasteners, which is safe and reliable. It is efficient and quick to disassemble and assemble. It can be directly installed on the middle 22mm installation panel without adding any accessories. The installation wrench is more sturdy and reliable.
- High-quality engineering flame-retardant materials are used, with good insulation performance and reliable contact
- Products comply with IEC60947-5-1, GB/T14048.5 and other standards.
- The contact element is a flat-pressed slow-action structure; it can meet the requirements of a variety of specific control circuits.
- Mounting Aperture: Ø22mm
- Function: self-reset button, self-locking button, illuminated button, knob, key button, emergency stop button, mushroom head button, stainless steel button, double-position button, etc.
- Switch contact combination: 01/10/02/20/11
- Protection class: IP40



Switch Ratings

Rated insulation voltage U_i		600V					
Rated thermal current I_{th}		10A					
Rated operational voltage U_e		24V	48V	110V	220V	380V	
Rated operational current I_e	AC 50/60Hz	Resistive load	10A	-	10A	6A	-
		Inductive load	10A	-	6A	3A	2A
	DC	Resistive load	8A	4A	2.2A	1.1A	-
		Inductive load	4A	2A	1.2A	0.6A	-
Contact material		Silver alloy					
Minimum applicable load: 3V AC, DC 5mA (Reference value) (The applicable range depends on the use environment and load type)							

Specifications

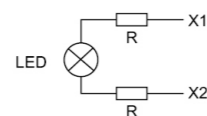
Ambient temperature	-25°C ~ +75°C (With no icing)
Humidity	45~85%RH
Contact resistance	≤50mΩ
Insulation resistance	≥100MΩ
Power frequency withstand voltage	1890VAC/50Hz/60s
Vibration resistance	Amplitude: about 1.0mm/50Hz
Impact resistance	> 10g
Degree of protection	LA38M: IP40, LA36M: IP65
Electrical life	≥100,000 times
Wiring capacity	Maximum: 2 × 1.5mm ² or 1 × 2.5mm ² , Minimum: 2 × 0.75mm ² , Maximum insert: 6.3 × 0.8mm

LED Specifications

LED type	Bidirectional LED		
Rated voltage	AC/DC 6V	AC/DC 12V	AC/DC 24V
	AC/DC 36V	AC/DC 48V	AC/DC 110V
	AC/DC 220V	AC/DC 380V	
Emitting color	RD	GN	YE BL WH
Life	≥40000h		

Lamp Holder Circuit Schematic

AC/DC lamp holder



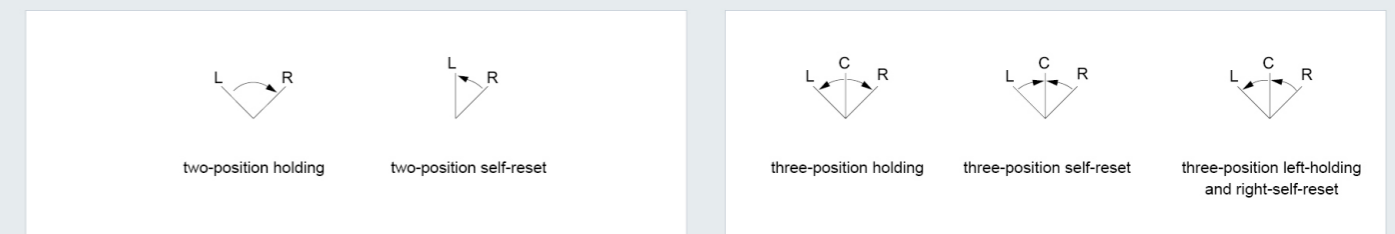
Contact Form Description

- The two digits in the model number represent the contact form
- The first digit “1” indicates the first pair of contacts on the first section of the element, “2” means the second pair.
- The second digit “1、2” represents the 2 terminals of NC contact, and “3、4” represents the 2 terminals of NO contact.

Contact code	11	20	02	10	01
Contact name	1NO1NC	2NO	2NC	1NO	1NC
State diagram					

Working Position And Contact State

- Two-position and contact ON AND OFF state diagram
- Three-position and contact ON AND OFF state diagram



Serial Number	Type		
1	LA38M-10 ■ -2 LA36M-10 ■ -2		
2	LA38M-01 ■ -2 LA36M-01 ■ -2		
3	LA38M-20 ■ -2 LA36M-20 ■ -2		
4	LA38M-02 ■ -2 LA36M-02 ■ -2		
5	LA38M-11 ■ -2 LA36M-11 ■ -2		

Serial Number	Type			
1	LA38M-11 ■ -3 LA36M-11 ■ -3			
2	LA38M-20 ■ -3 LA36M-20 ■ -3			
3	LA38M-02 ■ -3 LA36M-02 ■ -3			



Model Number Structure



LA38M- LA36M-	[Symbol]	[Symbol]	[Symbol]	[Symbol]	[Symbol]	[Symbol]
Serial number	Contact type	Operation type	Select switch position	Function	Color	Lamp voltage
01: 1NC 10: 1NO 02: 2NC 20: 2NO 11: 1NO1NC	PN: Self-reset flat pushbutton switch PNZS: Self-locking flat pushbutton switch PND: Illuminated self-rest flat pushbutton switch PNDZS: Illuminated self-locking flat pushbutton switch GN: Self-reset high pushbutton switch GNZS: Self-locking high pushbutton switch GND: Illuminated self-reset high pushbutton switch GNDZS: Illuminated self-locking high pushbutton switch S: Stainless steel self-reset flat pushbutton switch SZS: Stainless steel self-locking flat pushbutton switch SD: Illuminated stainless steel self-reset flat pushbutton switch SDZS: Illuminated stainless steel self-locking flat pushbutton switch M40/60: Mushroom self-reset pushbutton switch MZS40/60: Mushroom self-locking pushbutton switch MD40: Illuminated mushroom self-reset pushbutton switch MDZS40: Illuminated mushroom self-locking pushbutton switch ZS40/60: E-Stop pushbutton switch ZSD40: Illuminated E-stop pushbutton switch X: knob switch XC: Long knob switch XD: Illuminated knob switch Y: Key pushbutton switch PNSW: Twin flat pushbutton switch PNDSW: Illuminated flat pushbutton switch	21: Two-position holding type 22: Two-position self-reset type 31: Three-position holding type 32: Three-position left-holding and right-self-reset type 33: Three-position self-reset type	Q: Painted plastic head C: Plastic head T: Transparent head S: Stainless steel head L: Aluminum head FH1: "↓" custom code FH2: "○" custom code FH3: "-" custom code FH4: "=" custom code FH5: "START" custom code FH6: "STOP" custom code IP65: Custom IP65 button D: Special load (consult the manufacturer for details)	<p>optional colors of some types, please refer to product selection (illuminated product without black)</p>	AC/DC 6V AC/DC 12V AC/DC 24V AC/DC 36V AC/DC 48V AC/DC 110V AC/DC 220V AC/DC 380V	

The above table is the type explanation. Some combinations have no actual products. For details, please refer to product selection or consulting manufacturers.

Appearance and Dimension

		Function type	Contact structure	Product reference
		Self-restoring button	1NO 1NC 1NO1NC	LA38M-10PN-▲-○ LA38M-01PN-▲-○ LA38M-11PN-▲-○
		Self-locking flat button	1NO	LA38M-10PNZS-▲-○
			1NC 1NO1NC	LA38M-01PNZS-▲-○ LA38M-11PNZS-▲-○
		Illuminated self-restoring button	1NO	LA38M-10PND-▲-○(Δ)
			1NC 1NO1NC	LA38M-01PND-▲-○(Δ) LA38M-11PND-▲-○(Δ)
		Lighted self-locking flat button	1NO	LA38M-10PNDZS-▲-○(Δ)
			1NC 1NO1NC	LA38M-01PNDZS-▲-○(Δ) LA38M-11PNDZS-▲-○(Δ)
		Custom Symbol Self-Restoring Buttons	1NO	LA38M-10PN-▲-FH*-○
			1NC 1NO1NC	LA38M-01PN-▲-FH*-○ LA38M-11PN-▲-FH*-○
		Custom Symbol Self-Locking Flat Button	1NO	LA38M-10PNZS-▲-FH*-○
			1NC 1NO1NC	LA38M-01PNZS-▲-FH*-○ LA38M-11PNZS-▲-FH*-○
		Self-reset button	1NO	LA38M-10GN-▲-○
			1NC 1NO1NC	LA38M-01GN-▲-○ LA38M-11GN-▲-○
		Self-locking high button	1NO	LA38M-10GNZS-▲-○
			1NC 1NO1NC	LA38M-01GNZS-▲-○ LA38M-11GNZS-▲-○



Appearance and Dimension

Function type	Contact structure	Product reference
Illuminated self-healing button	1NO	LA38M-10GND-▲-○(△)
	1NC	LA38M-01GND-▲-○(△)
	1NO1NC	LA38M-11GND-▲-○(△)
Self-locking high button with light	1NO	LA38M-10GNDZS-▲-○(△)
	1NC	LA38M-01GNDZS-▲-○(△)
	1NO1NC	LA38M-11GNDZS-▲-○(△)

Color: ● ● ● ● W

Function type	Contact structure	Product reference
Stainless steel head selfleveling button	1NO	LA38M-10S-S
	1NC	LA38M-01S-S
	1NO1NC	LA38M-11S-S
Stainless steel head self-locking flat button	1NO	LA38M-10SZS-S
	1NC	LA38M-01SZS-S
	1NO1NC	LA38M-11SZS-S

Function type	Contact structure	Product reference
Stainless steel head reset button with light	1NO	LA38M-10SD-S-○(△)
	1NC	LA38M-01SD-S-○(△)
	1NO1NC	LA38M-11SD-S-○(△)
Illuminated stainless steel head self-locking button	1NO	LA38M-10SDZS-S-○(△)
	1NC	LA38M-01SDZS-S-○(△)
	1NO1NC	LA38M-11SDZS-S-○(△)

Color: ● ● ● ● W

Function type	Contact structure	Product reference
Two-position hold knob	1NO	LA38M-10X21-▲-BK
Two-position reset knob	1NO	LA38M-10X22-▲-BK
Three-position hold knob	2NO	LA38M-20X31-▲-BK
Three-position reset knob	2NO	LA38M-20X33-▲-BK
Three left and right self-reset knob	2NO	LA38M-20X32-▲-BK

Color: ● ● ● ● W BK

Appearance and Dimension

Function type	Contact structure	Product reference
Two-position hold long knob	1NO	LA38M-10XC21-▲-BK
Two-position self-recovery knob	1NO	LA38M-10XC22-▲-BK
Three-position hold long knob	2NO	LA38M-20XC31-▲-BK
Three-position self-recovery knob	2NO	LA38M-20XC33-▲-BK
Three left and right self-recovery knob	2NO	LA38M-20XC32-▲-BK

Color: BK

Function type	Contact structure	Product reference
Two-position holding knob with light	1NO	LA38M-10XD21-▲-○(△)
Two-position self-reset knob with light	1NO	LA38M-10XD22-▲-○(△)
Three-position holding knob with light	2NO	LA38M-20XD31-▲-○(△)
Three-position reset knob with light	2NO	LA38M-20XD33-▲-○(△)
Three-position left and right selfreset knob with light	2NO	LA38M-20XD32-▲-○(△)

Color: ● ● ● ● W

Function type	Contact structure	Product reference
Two-position hold key	1NO	LA38M-10Y21-L
Two-position self-resetting key button	1NO	LA38M-10Y22-L
Three-position hold key	2NO	LA38M-20Y31-L
Three-position self-resetting key	2NO	LA38M-20Y33-L
Three left and right self-resetting key	2NO	LA38M-20Y32-L

Function type	Contact structure	Product reference
Double button	1NO1NC	LA38M-11PNSW-Q

Mark: ■ ■



Appearance and Dimension

Function type	Contact structure	Product reference
Two-position illuminated button	1NO1NC	LA38M-11PNDSW-Q-YE(Δ)

Mark:

Function type	Contact structure	Product reference
40 emergency stop button	1NC	LA38M-01ZS40-C-RD
	1NO1NC	LA38M-11ZS40-C-RD
	2NC	LA38M-02ZS40-C-RD

Color:

Function type	Contact structure	Product reference
40 emergency stop button with light	1NC	LA38M-01ZSD40-C-RD(Δ)
	1NO1NC	LA38M-11ZSD40-C-RD(Δ)
	2NC	LA38M-02ZSD40-C-RD(Δ)

Color:

Function type	Contact structure	Product reference
Customized STOP symbol 40 emergency stop button	1NC	LA38M-01ZS40-C/FH6-RD
	1NO1NC	LA38M-11ZS40-C/FH6-RD
	2NC	LA38M-02ZS40-C/FH6-RD

Color:
Mark: STOP

Appearance and Dimension

Function type	Contact structure	Product reference
60 emergency stop button	1NC	LA38M-01ZS60-C-RD
	1NO1NC	LA38M-11ZS60-C-RD
	2NC	LA38M-02ZS60-C-RD

Color:

Function type	Contact structure	Product reference
40 mushroom head reset button	1NO	LA38M-10M40-Q-○
	1NC	LA38M-01M40-Q-○
	1NO1NC	LA38M-11M40-Q-○
40 mushroom head self-locking button	1NO	LA38M-10MZS40-Q-○
	1NC	LA38M-01MZS40-Q-○
	1NO1NC	LA38M-11MZS40-Q-○

Color:

Function type	Contact structure	Product reference
60 mushroom head reset button	1NO	LA38M-10M60-Q-○
	1NC	LA38M-01M60-Q-○
60 mushroom head self-locking button	1NO	LA38M-10MZS60-Q-○
	1NC	LA38M-01MZS60-Q-○
	1NO1NC	LA38M-11MZS60-Q-○

Color:

Function type	Contact structure	Product reference
40 mushroom head reset button with light	1NO	LA38M-10MD40-Q-○(Δ)
	1NC	LA38M-01MD40-Q-○(Δ)
	1NO1NC	LA38M-11MD40-Q-○(Δ)
60 mushroom head self-locking button	1NO	LA38M-10MDZS40-Q-○(Δ)
	1NC	LA38M-01MDZS40-Q-○(Δ)
	1NO1NC	LA38M-11MDZS40-Q-○(Δ)

Color:



Appearance and Dimension

Function type	Contact structure	Product reference
Self-restoring button	1NO	LA36M-10PN-C-○
	1NC	LA36M-01PN-C-○
	1NO1NC	LA36M-11PN-C-○
Self-locking flat button	1NO	LA36M-10PNZS-C-○
	1NC	LA36M-01PNZS-C-○
	1NO1NC	LA36M-11PNZS-C-○

Color: ● ● ● ● ● ●

Function type	Contact structure	Product reference
Illuminated self-restoring button	1NO	LA36M-10PND-C-○ (△)
	1NC	LA36M-01PND-C-○ (△)
	1NO1NC	LA36M-11PND-C-○ (△)
Lighted self-locking flat button	1NO	LA36M-10PNDZS-C-○ (△)
	1NC	LA36M-01PNDZS-C-○ (△)
	1NO1NC	LA36M-11PNDZS-C-○ (△)

Color: ● ● ● ● ●

Function type	Contact structure	Product reference
Transparent lighted self-leveling button	1NO	LA36M-10PND-T-○ (△)
	1NC	LA36M-01PND-T-○ (△)
	1NO1NC	LA36M-11PND-T-○ (△)

Color: ● ● ● ● ●

Function type	Contact structure	Product reference
Custom Symbol Self-Restoring Buttons	1NO	LA36M-10PN-C/FH*-○
	1NC	LA36M-01PN-C/FH*-○
	1NO1NC	LA36M-11PN-C/FH*-○
Custom Symbol Self-Locking Flat Button	1NO	LA36M-10PNZS-C/FH*-○
	1NC	LA36M-01PNZS-C/FH*-○
	1NO1NC	LA36M-11PNZS-C/FH*-○

Color: ● ● ● ● ● ●
 Mark: ↓ ○ | || 启动 STOP

Appearance and Dimension

Function type	Contact structure	Product reference
Self-reset button	1NO	LA36M-10GN-C-○
	1NC	LA36M-01GN-C-○
	1NO1NC	LA36M-11GN-C-○
Self-locking high button	1NO	LA36M-10GNZS-C-○
	1NC	LA36M-01GNZS-C-○
	1NO1NC	LA36M-11GNZS-C-○

Color: ● ● ● ● ● ●

Function type	Contact structure	Product reference
Illuminated self-healing button	1NO	LA36M-10GND-C-○ (△)
	1NC	LA36M-01GND-C-○ (△)
	1NO1NC	LA36M-11GND-C-○ (△)
Self-locking high button with light	1NO	LA36M-10GNDZS-C-○ (△)
	1NC	LA36M-01GNDZS-C-○ (△)
	1NO1NC	LA36M-11GNDZS-C-○ (△)

Color: ● ● ● ● ●

Function type	Contact structure	Product reference
40 mushroom head reset button	1NO	LA36M-10M40-C-○
	1NC	LA36M-01M40-C-○
	1NO1NC	LA36M-11M40-C-○
	1NO	LA36M-10MZS40-C-○
	1NC	LA36M-01MZS40-C-○
	1NO1NC	LA36M-11MZS40-C-○

Color: ● ● ● ● ● ●


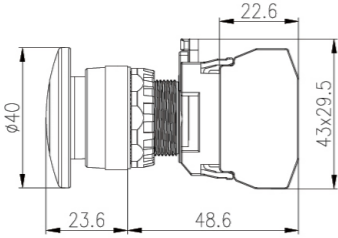
Function type	Contact structure	Product reference
60 mushroom head reset button	1NO	LA36M-10M60-C-○
	1NC	LA36M-01M60-C-○
	1NO1NC	LA36M-11M60-C-○
60 mushroom head self-locking button	1NO	LA36M-10MZS60-C-○
	1NC	LA36M-01MZS60-C-○
	1NO1NC	LA36M-11MZS60-C-○

Color: ● ●

LA36M Pushbutton Switch Ø22


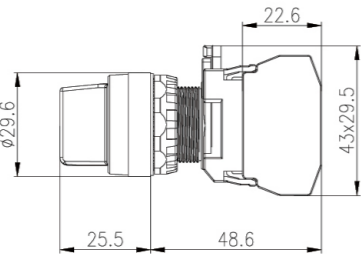


GB2 Pushbutton Switch Ø22


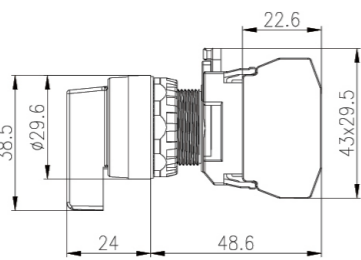
Function type	Contact structure	Product reference
40 mushroom head reset button with light	1NO	LA36M-10MD40-C-○(△)
	1NC	LA36M-01MD40-C-○(△)
	1NO1NC	LA36M-11MD40-C-○(△)
40 mushroom head self-locking button with light	1NO	LA36M-10MDZS40-C-○(△)
	1NC	LA36M-01MDZS40-C-○(△)
	1NO1NC	LA36M-11MDZS40-C-○(△)

Color: ● ● ●


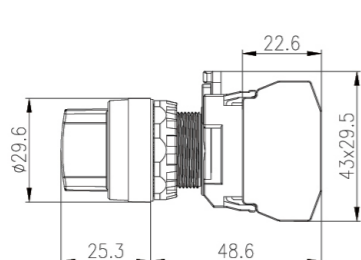
Function type	Contact structure	Product reference
Two-position hold knob	1NO	LA36M-10X21-C-BK
Two-position reset knob	1NO	LA36M-10X22-C-BK
Three-position hold knob	2NO	LA36M-20X31-C-BK
Three-position reset knob	2NO	LA36M-20X33-C-BK
Three left and right self-reset knob	2NO	LA36M-20X32-C-BK

Color: ● ● ● ● ○ ●

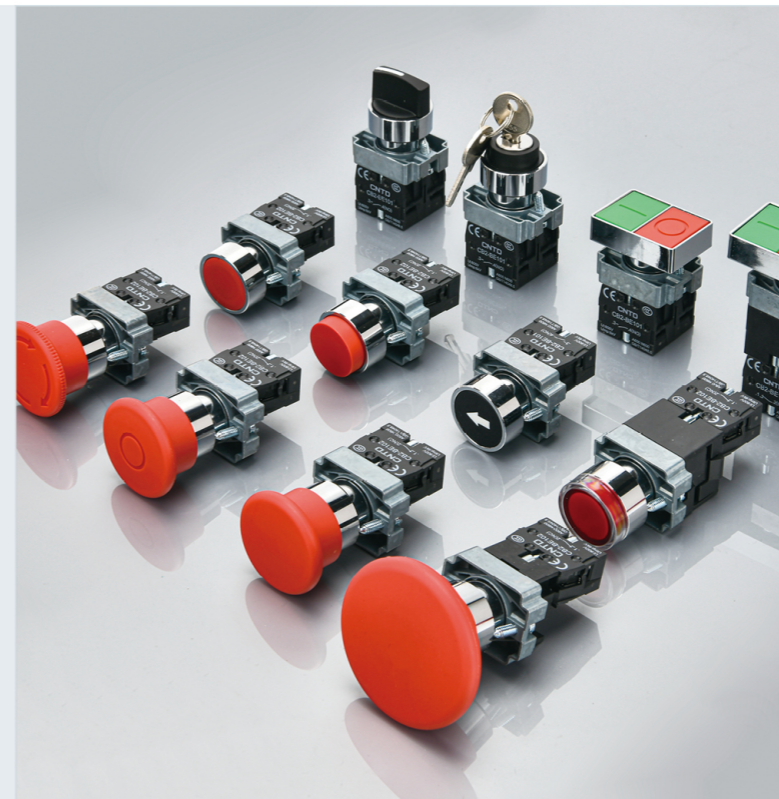
Function type	Contact structure	Product reference
Two-position hold long knob	1NO	LA36M-10XC21-C-BK
Two-position self-recovery knob	1NO	LA36M-10XC22-C-BK
Three-position hold long knob	2NO	LA36M-20XC31-C-BK
Three-position self-recovery knob	2NO	LA36M-20XC33-C-BK
Three left and right self-recovery knob	2NO	LA36M-20XC32-C-BK

Color: ●

Function type	Contact structure	Product reference
Two-position holding knob with light	1NO	LA36M-10XD21-C-○(△)
Two-position self-reset knob with light	1NO	LA36M-10XD22-C-○(△)
Three-position holding knob with light	2NO	LA36M-20XD31-C-○(△)
Three-position reset knob with light	2NO	LA36M-20XD33-C-○(△)
Three-position left and right selfreset knob with light	2NO	LA36M-20XD32-C-○(△)

Color: ● ● ● ● ○



Features

- This series of products, the button head and the middle seat are connected by multi-point clamping, in-line fixed installation, impact resistance, drop resistance, vibration resistance, suitable for use in various harsh environments.
- It is composed of button head, middle seat and contact seat. It adopts advanced selflocking connection without fasteners, which is safe and reliable. It is efficient and quick to disassemble and assemble. It can be directly installed on the middle 22mm installation panel without adding any accessories. The installation wrench is more sturdy and reliable.
- High-quality engineering flame-retardant materials are used, with good insulation performance and reliable contact.
- Products comply with IEC60947-5-1, GB/T14048.5 and other standards.
- The contact element is a flat-pressed slow-action structure; it can meet the requirements of a variety of specific control circuits. Mounting Aperture: Ø22mm
- Function: self-reset button, self-locking button, illuminated button, knob, key button, emergency stop button, mushroom head button, double-position button, etc.

Switch Ratings

Rated insulation voltage Ui		600V					
Rated thermal current Ith		10A					
Rated operational voltage Ue		24V	48V	110V	220V	380V	
Rated operational current Ie	AC 50/60Hz	Resistive load	10A	-	10A	6A	-
		Inductive load	10A	-	6A	3A	2A
	DC	Resistive load	8A	4A	2.2A	1.1A	-
		Inductive load	4A	2A	1.2A	0.6A	-
Contact material		Silver alloy					
Minimum applicable load: 3V AC/DC 5mA(Reference value) (The applicable range depends on the use environment and load type)							

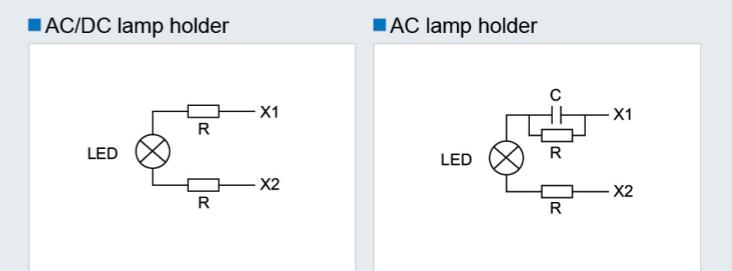
LED Specifications

LED type	Bidirectional LED		
Rated voltage	AC/DC 6V	AC/DC 12V	AC/DC 24V
	AC/DC 36V	AC/DC 48V	AC/DC 110V
	AC/DC 220V	AC/DC 380V	
	AC110V	AC220V	AC380V
Emitting color	● RD	● GN	● YE ● BL ○ WH
Life	≥40000h		

Specifications

Ambient temperature	-25℃ ~+75℃ (With no icing)
Humidity	45~85%RH
Contact resistance	≤50mΩ
Insulation resistance	≥100MΩ
Power frequency withstand voltage	1890VAC/50Hz/60s
Vibration resistance	Amplitude: about 1.0mm/50Hz
Impact resistance	> 10g
Degree of protection	IP65 Except two bit series: IP40
Electrical life	≥100,000 times
Wiring capacity	Maximum: 2 × 1.5mm ² or 1 × 2.5mm ² Minimum: 2 × 0.75mm ² Maximum insert: 6.3 × 0.8mm

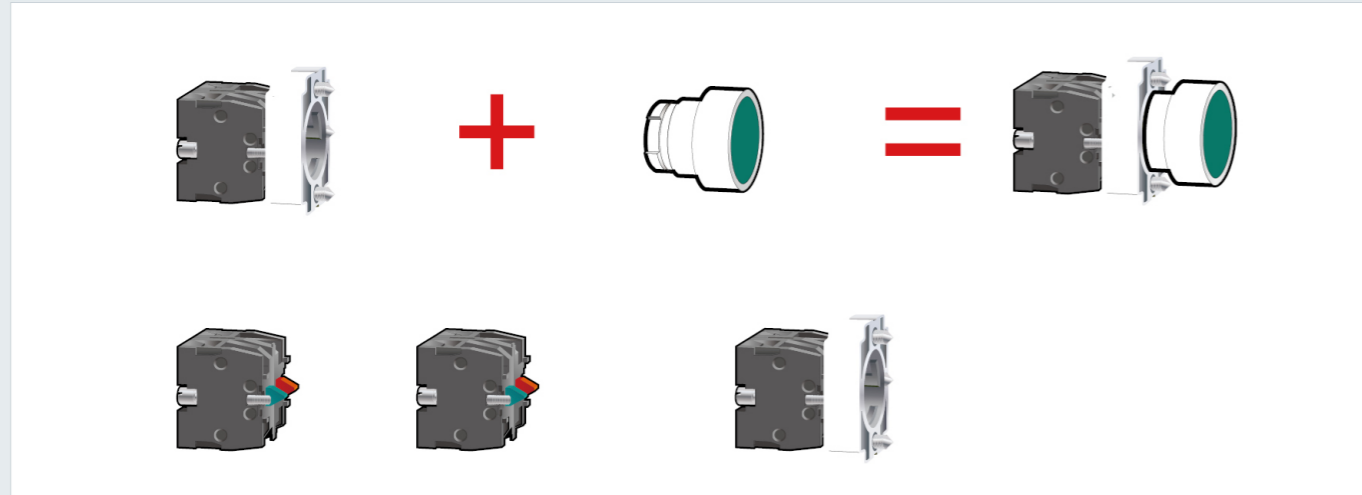
Lamp Holder Circuit Schematic



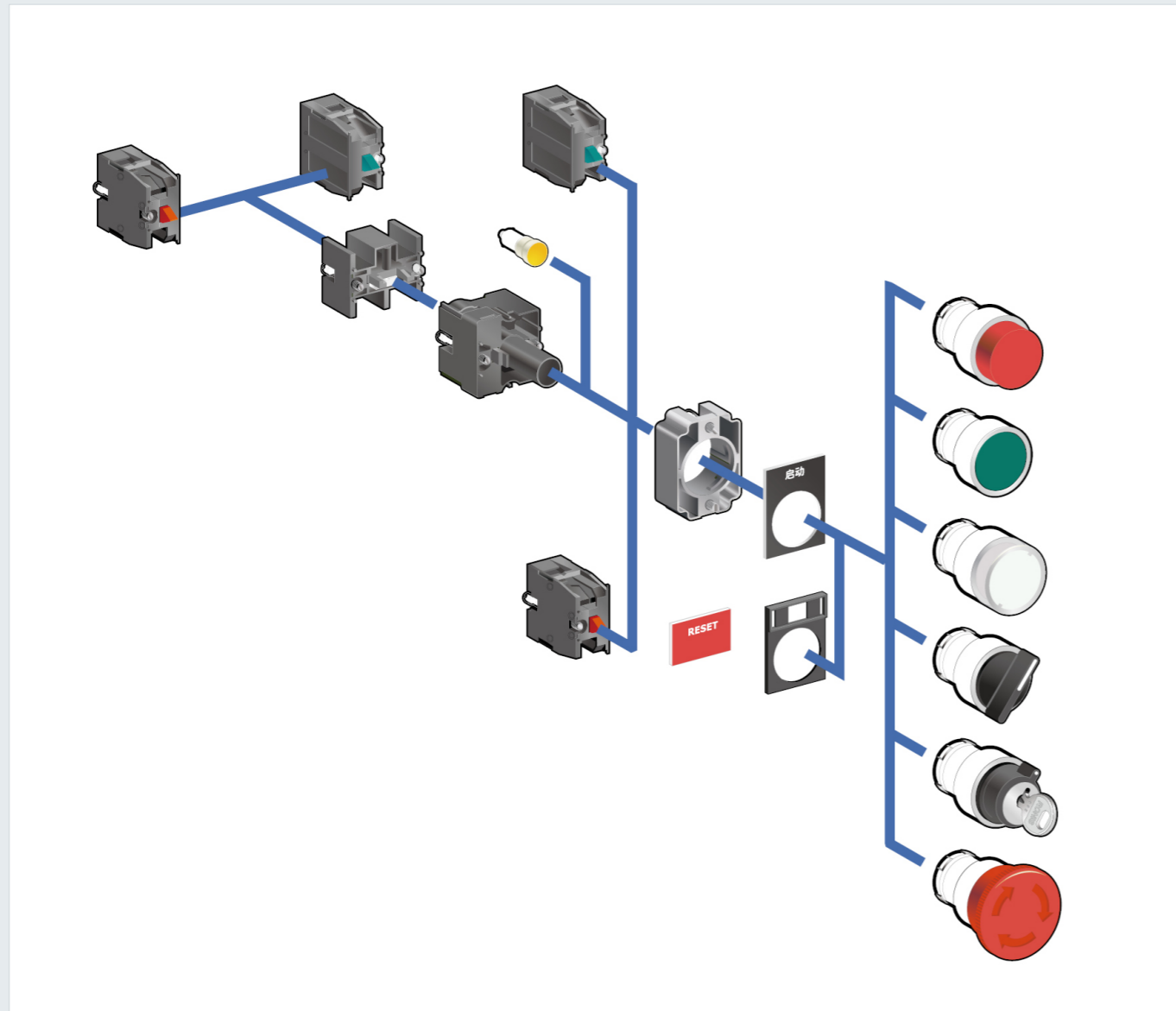


Structure diagram

○ Auxiliary contact connection: up to 6 pairs of contact modules.



Combo Chart



Contact Form Description

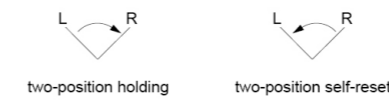
■ The two digits in the model number represent the contact form

- The first digit "1" indicates the first pair of contacts on the first section of the element, "2" means the second pair.
- The second digit "1, 2" represents the 2 terminals of NC contact, and "3, 4" represents the 2 terminals of NO contact.

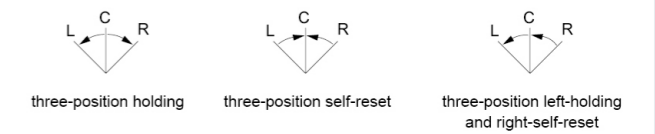
Contact code	1	2	3	4	5
Contact name	1NO	1NC	2NO	2NC	1NO1NC
State diagram					

Working Position And Contact State

○ Two-position and contact ON AND OFF state diagram



○ Three-position and contact ON AND OFF state diagram



Serial Number	Type		
1	CB2-B ■ -1		
2	CB2-B ■ -2		
3	CB2-B ■ -3		
4	CB2-B ■ -4		
5	CB2-B ■ -5		

Serial Number	Type			
1	CB2-B ■ -3			
2	CB2-B ■ -4			
3	CB2-B ■ -5			



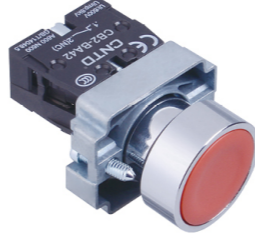
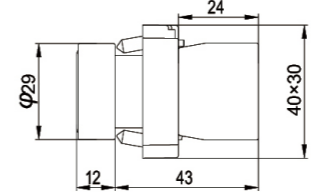
Model Number Structure


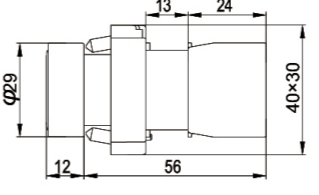



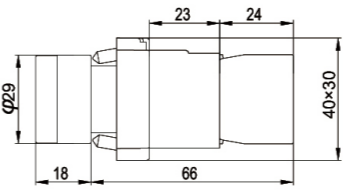
CB2-	B	■	□	- ▲	- ○	△
Serial number	Button material	Operation type	Color	Symbol code	Voltage code	Contact code
	Metal	A: Self-adjusting button AZ: Self-locking flat button L: Self-healing button LZ: Self-locking high button W3: Self-healing button with light WZ3: Self-locking flat button with light C: φ 40 mushroom head reset button CZ: φ 40 mushroom head self-locking button R: φ 60 mushroom head self-resetting button RZ: φ 60 mushroom head self-locking button T: φ 40 mushroom head push-pull button S5: φ 40 emergency stop button S6: φ 60 emergency stop button D2: Two-position hold knob D3: Three-position hold knob D4: Two-position automatic reset knob D5: three-position self-reset knob J2: Two-position hold long knob J3: Three hold long knob J4: Two-position self-recovery knob J5: Three-position self-recovery knob G2: Two-position hold key button G3: Three Hold Key Button G6: Two-position self-resetting key button G7: Three-position self-resetting key button L832: Two flat two-position buttons L842: high and low double button W83: Two flat buttons with lights	1: WH 2: BK 3: GN 4: RD 5: YE 6: BL	232: black face and white circle 334: White face black arrow 335: black face and white arrow 336: Green-faced double white bars 432: red face and white circle	T: AC/DC6V J: AC/DC12V B: AC/DC24V C: AC/DC36V E: AC/DC48V FD: AC/DC110V MD: AC/DC220V QD: AC/DC380V F: AC110V M: AC220V Q: AC380V	1:1NO 2:1NC 3:2NO 4:2NC 5:1NO1NC

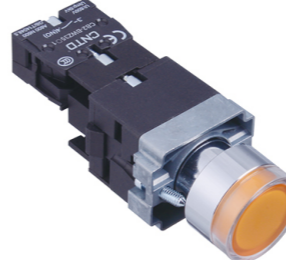
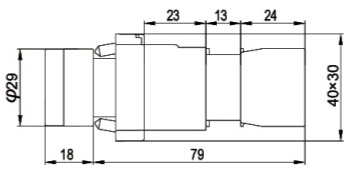
The above table is the type explanation. Some combinations have no actual products. For details, please refer to product selection or consulting manufacturers.

Appearance and Dimension

 	Specification	Contact structure	Product reference
		○ 1NO	CB2-BA11
		● 1NO	CB2-BA21
		● 1NO	CB2-BA31
		● 1NC	CB2-BA42
		● 1NO	CB2-BA51
	● 1NO	CB2-BA61	

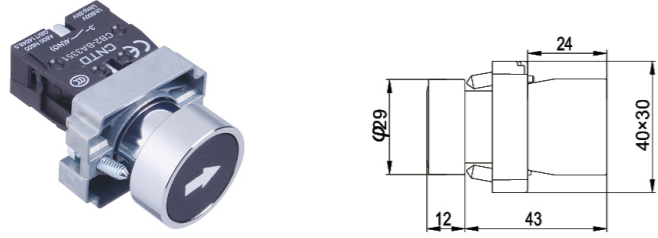
 	Specification	Contact structure	Product reference
		○ 1NO	CB2-BAZ11
		● 1NO	CB2-BAZ21
		● 1NO	CB2-BAZ31
		● 1NC	CB2-BAZ42
		● 1NO	CB2-BAZ51
	● 1NO	CB2-BAZ61	

 	Specification	Contact structure	Product reference
		○ 1NO	CB2-BW31 ○ 1
		● 1NO	CB2-BW33 ○ 1
		● 1NC	CB2-BW34 ○ 2
		● 1NO	CB2-BW35 ○ 1
	● 1NO	CB2-BW36 ○ 1	

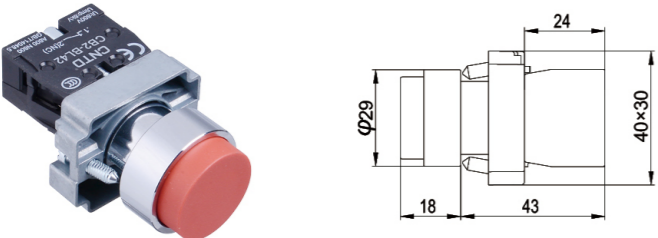
 	Specification	Contact structure	Product reference
		○ 1NO	CB2-BWZ31 ○ 1
		● 1NO	CB2-BWZ33 ○ 1
		● 1NC	CB2-BWZ34 ○ 2
		● 1NO	CB2-BWZ35 ○ 1
	● 1NO	CB2-BWZ36 ○ 1	



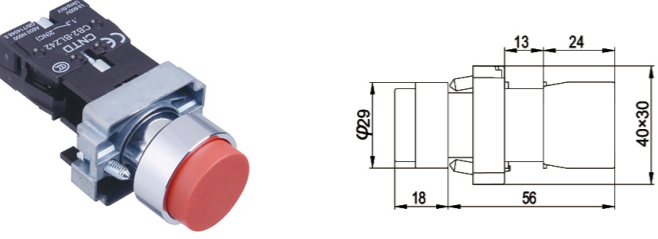
Appearance and Dimension



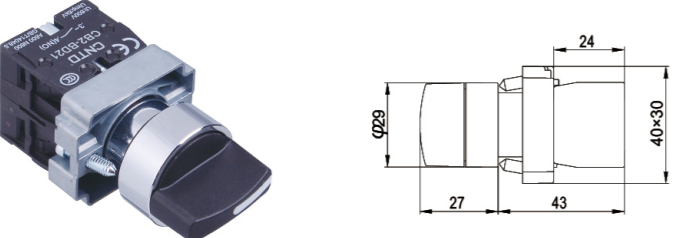
Specification	Contact structure	Product reference
Symbol button	1NO	CB2-BA2321
	1NO	CB2-BA3341
	1NO	CB2-BA3351
	1NO	CB2-BA3361
	1NC	CB2-BA4322



Specification	Contact structure	Product reference
Self-reset button	1NO	CB2-BL11
	1NO	CB2-BL21
	1NO	CB2-BL31
	1NC	CB2-BL42
	1NO	CB2-BL51
	1NO	CB2-BL61

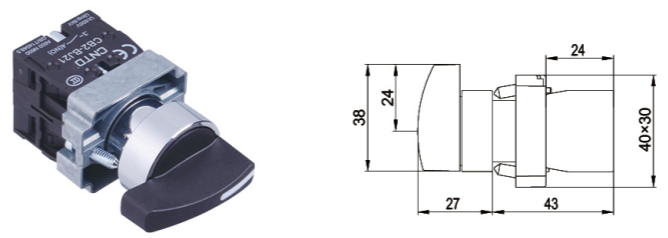


Specification	Contact structure	Product reference
Self-locking high button	1NO	CB2-BLZ11
	1NO	CB2-BLZ21
	1NO	CB2-BLZ31
	1NC	CB2-BLZ42
	1NO	CB2-BLZ51
	1NO	CB2-BLZ61

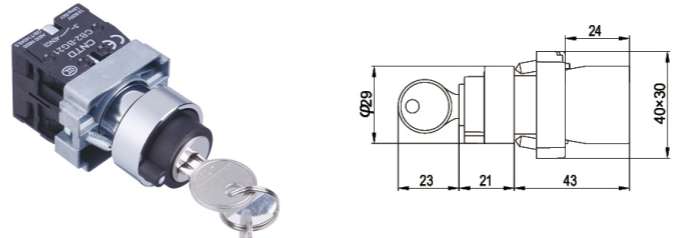


Specification	Contact structure	Product reference
Two-position hold knob	1NO	CB2-BD21
Two-position reset knob	1NO	CB2-BD41
Three-position hold knob	2NO	CB2-BD33
Three-position reset knob	2NO	CB2-BD53

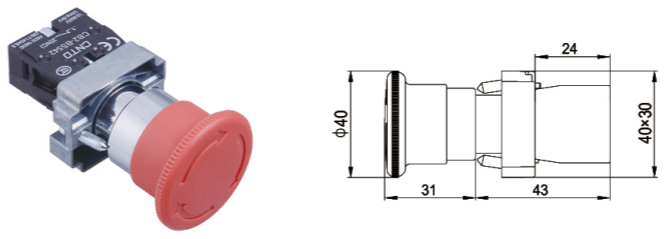
Appearance and Dimension



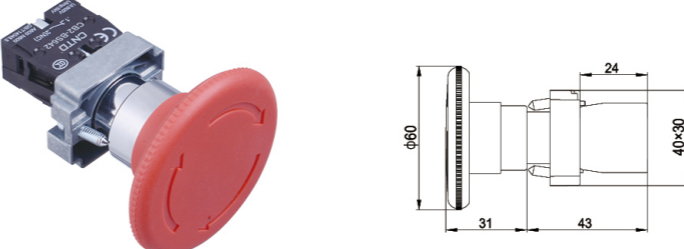
Specification	Contact structure	Product reference
Two-position hold long knob	1NO	CB2-BJ21
Two-position self-recovery knob	1NO	CB2-BJ41
Three-position hold long knob	2NO	CB2-BJ33
Three-position self-recovery knob	2NO	CB2-BJ53



Specification	Contact structure	Product reference
Two-position hold key	1NO	CB2-BG21
Two-position self-resetting key button	1NO	CB2-BG61
Three-position hold key	2NO	CB2-BG33
Three-position self-resetting key	2NO	CB2-BG73



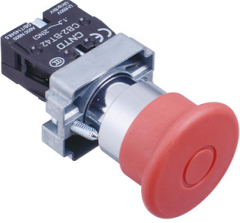
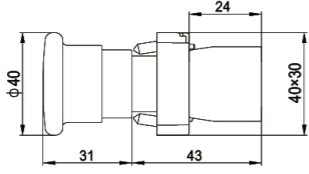
Specification	Contact structure	Product reference
40 emergency stop button	1NO	CB2-BS521
	1NO	CB2-BS531
	1NC	CB2-BS542



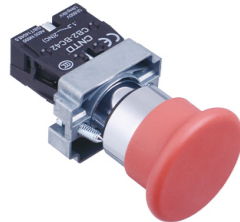
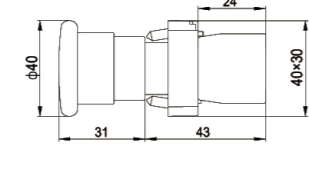
Specification	Contact structure	Product reference
60 emergency stop button	1NO	CB2-BS621
	1NO	CB2-BS631
	1NC	CB2-BS642



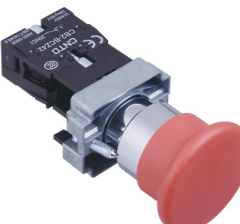
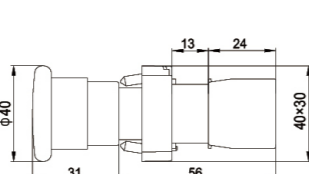
Appearance and Dimension

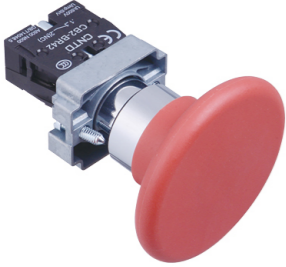
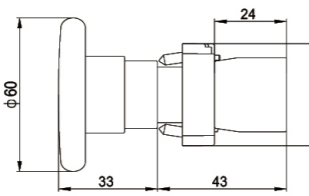
Specification	Contact structure	Product reference
40 mushroom head push button	● 1NC	CB2-BT42
	● 1NO ● 1NC	CB2-BT45

Specification	Contact structure	Product reference
40 mushroom head reset button	○ 1NO	CB2-BC11
	● 1NO	CB2-BC21
	● 1NO	CB2-BC31
	● 1NC	CB2-BC42
	● 1NO	CB2-BC51
	● 1NO	CB2-BC61

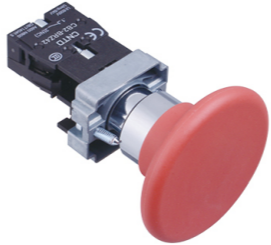
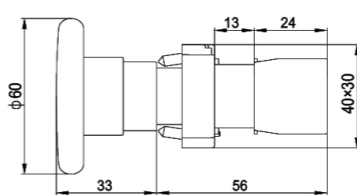



Specification	Contact structure	Product reference
40 mushroom head self-locking button	○ 1NO	CB2-BCZ11
	● 1NO	CB2-BCZ21
	● 1NO	CB2-BCZ31
	● 1NC	CB2-BCZ42
	● 1NO	CB2-BCZ51
	● 1NO	CB2-BCZ61

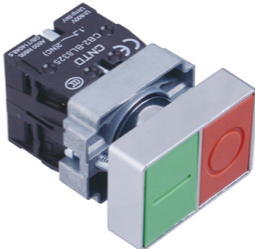
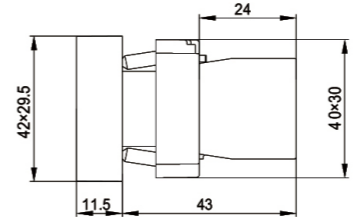



Specification	Contact structure	Product reference
60 mushroom head self-locking button	○ 1NO	CB2-BR11
	● 1NO	CB2-BR21
	● 1NO	CB2-BR31
	● 1NC	CB2-BR42
	● 1NO	CB2-BR51
	● 1NO	CB2-BR61

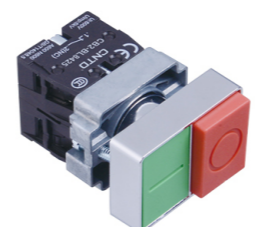
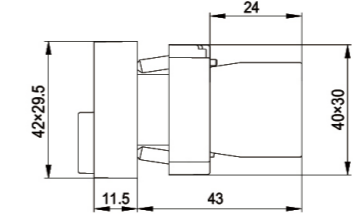
Appearance and Dimension

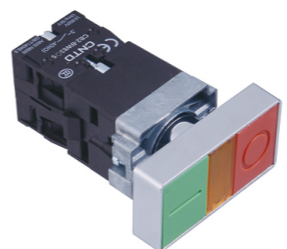
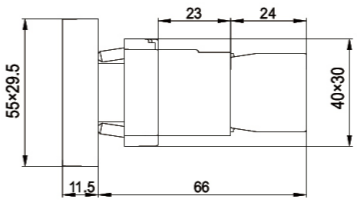
Specification	Contact structure	Product reference
60 mushroom head self-locking button	○ 1NO	CB2-BRZ11
	● 1NO	CB2-BRZ21
	● 1NO	CB2-BRZ31
	● 1NC	CB2-BRZ42
	● 1NO	CB2-BRZ51
	● 1NO	CB2-BRZ61

Specification	Contact structure	Product reference
Double flat button	● 1NO ● 1NC	CB2-BL8325

Specification	Contact structure	Product reference
Double high and low buttons	● 1NO ● 1NC	CB2-BL8425

Specification	Contact structure	Product reference
Two-position illuminated button	● 1NO ● 1NC	CB2-BW83 ○ 5



Specifications

Ambient temperature	-25℃ ~+75℃ (with no icing)
Humidity	45~85%RH
Continuous operational life	≥40000h
Allow instantaneous voltage fluctuation	± 20% (above 110V)
Power frequency withstand voltage	2.5kV(AC effective value), 1min
Usage frequency(AC)	50-60Hz
Rated operational current	AC/DC6V≤40mA, the rest≤25mA
luminance	≥100cd/m ²
Comparative tracking index	≥100, flame retardant
Insulation resistance	5MΩ while U _i ≤60V, 50MΩ while 60V < U _i ≤660V
Emitting color	
Degree of protection	IP65

Features

- LD16 series of indicator light use high-brightness pure color LED light-emitting chips as the light source, with long life, low energy consumption, small size and light weight. The lampshade is made of high-strength carbonite, which has good impact resistance. The light has built-in screw-type wiring, makes it safer and more convenient.
- LD16 series of indicator light is suitable for signal indication, advance signal, accident signal and other situations for example in electrical industries, telecommunications, machining tools, ships, textile industries, printing industries and mining machinery.
- The product complies with standards such as IEC60947-5-1,GB/T14048.5.

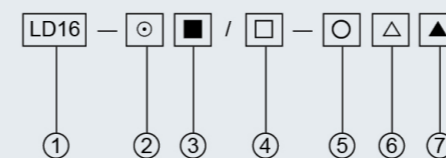
Internal Wiring Diagram

Description:

- The AC/DC type indicator light is a resistance step-down type, and the AC type indicator light is a capacitor step-down type.
- When the voltage is 110V and above, the temperature of the shell of the AC/DC signal indicator will be higher than that of the AC signal indicator.
- The use frequency of AC type signal indicator is 50-60Hz. Using in other frequency range will damage the indicator light.

Type	AC/DC type Indicator Light	AC type Indicator Light
Normal type		
Anti-interference type		

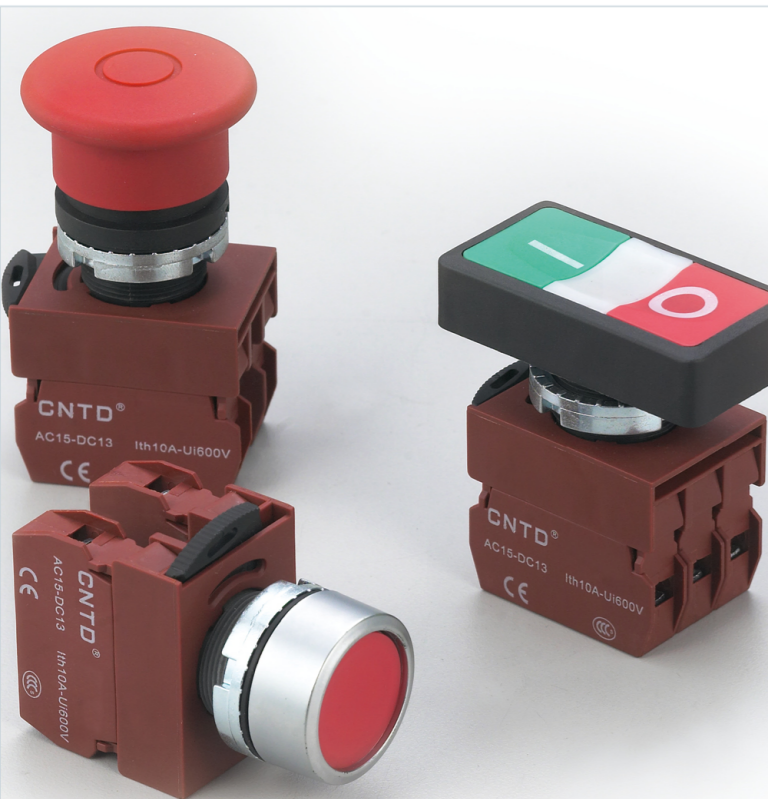
Model Number Structure



Item	Code	Description
① Serial number	LD16	Serial number
② Installation aperture	22	Ø22mm
③ Function code	DS	Indicator light
	M	Buzzer
	ML	Continuous buzzer
	SM	Flash buzzer
④ Auxiliary code	无	Conventional
	F	Discharge lamp
	K	Anti-interference voltage
	FS	Waterproof Indicator Light
⑤ Color		Black is only available for no light buzzer AC/DC 6V AC/DC 12V AC/DC 24V AC/DC 36V AC/DC 48V AC/DC 110V AC/DC 220V AC/DC 380V AC 110V AC 220V AC 380V For other special voltages ,please consult the manufacturer 24V 40V 60V 90V 110V
⑥ Lamp voltage	△	For other special voltages ,please consult the manufacturer 24V 40V 60V 90V 110V
⑦ Interference voltage	▲	For other special voltages ,please consult the manufacturer

Appearance and Dimension

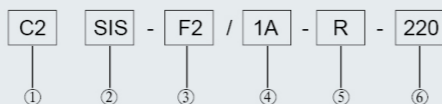




Specifications

Electrical capacitor	Max insulation voltage 600VAC, Max thermal current 10A
Operation	AC15 Type: 250VAC/16A, DC13 Type: 250VDC/0.6A
Contact resistance	Max 50MΩ
Insulation strength	2500VAC 50Hz, 1 minute
Insulation resistance	500VDC below, 100MΩ above
Vibration resistance	10g @40-500Hz
Life	Lamp 1,000hour, LED 1,000hour
Electrical life	Contact block AC15 250VAC/6A >1, 000, 000
	DC13 250VAC/0.6A >1, 000, 000
Storage temperature	Using: -20~+70°C (With no icing)
Operation temperature	Using: -20~+70°C (With no icing)

Model Number Structure

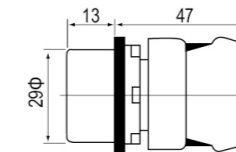


- ① Fixed hole diameter: 2=22φ Round, 3=30φ Round
- ② Types:
 SNS=Short handle knob, SNL=Long handle knob
 SNK=key knob, PNF=flat head, PNH=convex head
 PNM3=30mm big head, PNM4=40mm big head
 PNM6=60mm big head, PNR3=30mm Emergency stop head,
 PNR4=40mm Emergency stop head, PNR6=60mm Emergency stop head,
 PNKM4=Emergency stop key knob, PID=Doube with lamp button
 PNP=Tensile switch, PIF=Flat ribbon lamp button
 PIH=Convex head with lamp button, PIM4=big head with lamp button,
 PND= Double button, SIS=Short shank with lamp knob
 SIL=Long handle with lamp knob, LIF=Standard type indicating lamp
 LUF=circular type indicating lamp, MN=Monolever Switch
- ③ Operation type: Pushbutton Switch: Blank=Self-resetting, D=Self-locking
 Knob Switch, Monolever Switch: F2=2 to the self-locking, F3=3 to the self-locking,
 F4=4 to the self-locking, T2=2 to reset, T3=3 to reset, T4=4 to reset
- ④ Contact: 1A=1NO, 1B=1NC, 1C=1A1B, 1D=1A+1B
 2A=2NO, 2B=2NC, 2C=1A1B+1A1B,
 2D=1A1B+1A1B, 2E=1A1A+1A1A
- ⑤ Head color: R=red, G=green, Y=yellow, W=white, B=black, BL=blue
- ⑥ With lamp voltage: 12=12VDC, 24=24VDC, 36=36VDC, 48=48VDC
 110=110VAC, 220=220VAC, 380=380VAC

Note: Custom products over the selection can not explain clearly, please also specify when ordering.

Appearance and Dimension

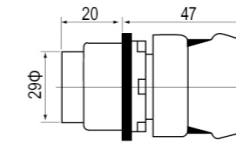
C2PNF



Color: R G Y BK

Function type	Product reference
Flat head	C2PNF-1A/1B/1C

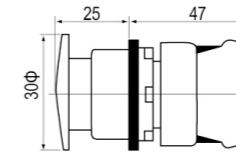
C2PNH



Color: R G Y BK

Function type	Product reference
Convex head	C2PNH-1A/1B/1C

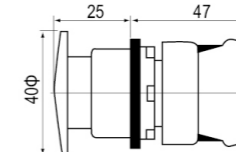
C2PNM3



Color: R G Y BK

Function type	Product reference
30mm big head	C2PNM3-1A/1B/1C

C2PNM4



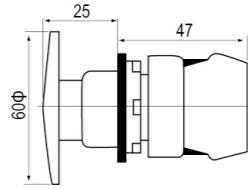
Color: R G Y BK

Function type	Product reference
40mm big head	C2PNM4-1A/1B/1C



Appearance and Dimension

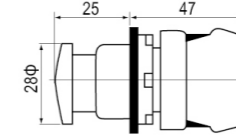
C2PNM6



Function type	Product reference
60mm big head	C2PNM6-1A/1B/1C

Color: ● ● ● ●

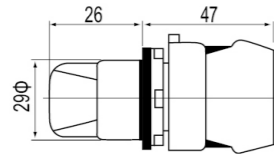
C2PNR3



Function type	Product reference
30mm Emergency stop head	C2PNR3-1A/1B/1C

Color: ● ● ● ●

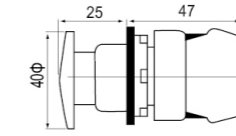
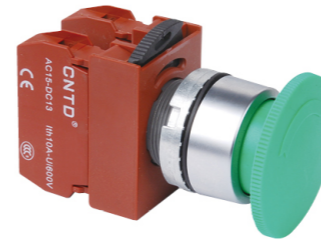
C2SNS



Function type	Product reference
Short handle knob 2 to the self-locking	C2SNS-F2-1A/1B/1C/2A
Short handle knob 3 to the self-locking	C2SNS-F3-2A/2B/1C

Color: ● ● ● ●

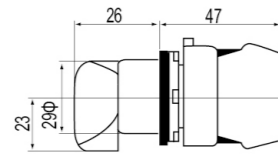
C2PNR4



Function type	Product reference
40mm Emergency stop head	C2PNR4-1A/1B/1C

Color: ● ● ● ●

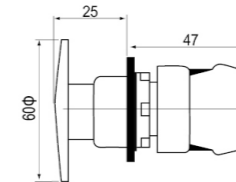
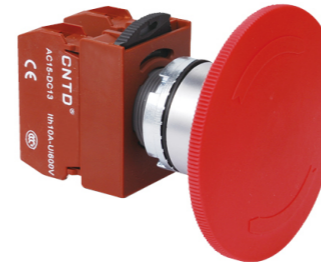
C2SNL



Function type	Product reference
Long handle knob 2 to the self-locking	C2SNL-F2-1A/1B/1C/2A
Long handle knob 3 to the self-locking	C2SNL-F3-2A/2B/1C

Color: ● ● ● ●

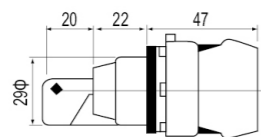
C2PNR6



Function type	Product reference
60mm Emergency stop head	C2PNR6-1A/1B/1C

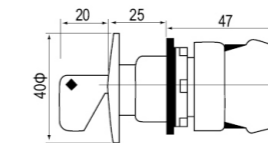
Color: ● ● ● ●

C2SNK



Function type	Product reference
key knob 2 to the self-locking	C2SNK-F2-1A/1B/1C/2A
key knob 3 to the self-locking	C2SNK-F3-2A/2B/1C

C2PNKM4



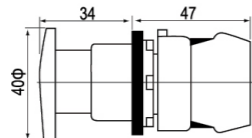
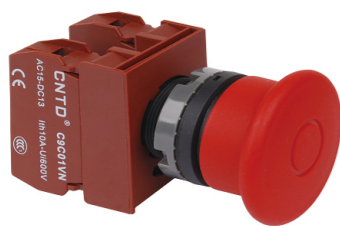
Function type	Product reference
Emergency stop key knob	C2PNKM4-1A/1B/1C

Color: ● ● ● ●



Appearance and Dimension

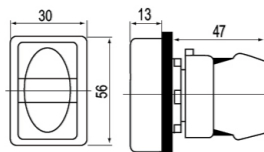
C2PNP



Color: ● ● ● ●

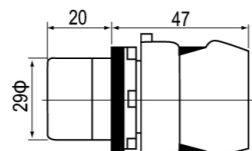
Function type	Product reference
Tensile switch	C2PNP-1A/1B/1C

C2PND



Function type	Product reference
Double button	C2PND-1C/2A/2B

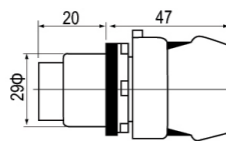
C2PIF



Color: ● ● ● ●

Function type	Product reference	Voltage
Flat ribbon lamp button	C2PIF-1A-R/G/Y/BL	12/24/36/48/110/220/380
Flat ribbon lamp button	C2PIF-1B-R/G/Y/BL	12/24/36/48/110/220/380
Flat ribbon lamp button	C2PIF-1C-R/G/Y/BL	12/24/36/48/110/220/380

C2PIH

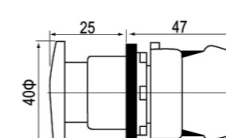


Color: ● ● ● ●

Function type	Product reference	Voltage
Convex head with lamp button	C2PIH-1A-R/G/Y/BL	12/24/36/48/110/220/380
Convex head with lamp button	C2PIH-1B-R/G/Y/BL	12/24/36/48/110/220/380
Convex head with lamp button	C2PIH-1C-R/G/Y/BL	12/24/36/48/110/220/380

Appearance and Dimension

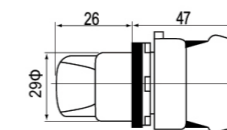
C2PIM4



Color: ● ● ● ●

Function type	Product reference	Voltage
40mm big head with lamp button	C2PIM4-1A-R/G/Y/BL	12/24/36/48/110/220/380
40mm big head with lamp button	C2PIM4-1B-R/G/Y/BL	12/24/36/48/110/220/380
40mm big head with lamp button	C2PIM4-1C-R/G/Y/BL	12/24/36/48/110/220/380

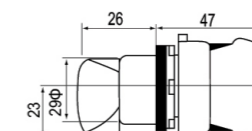
C2SIS



Color: ● ● ● ●

Function type	Product reference	Voltage
Short shank with lamp knob 2 to the self-locking	C2SIS-F2-1A-R/G/Y/BL	12/24/36/48/110/220/380
	C2SIS-F2-1B-R/G/Y/BL	12/24/36/48/110/220/380
	C2SIS-F2-1C-R/G/Y/BL	12/24/36/48/110/220/380
Short shank with lamp knob 3 to the self-locking	C2SIS-F3-2A-R/G/Y/BL	12/24/36/48/110/220/380
	C2SIS-F3-1C-R/G/Y/BL	12/24/36/48/110/220/380

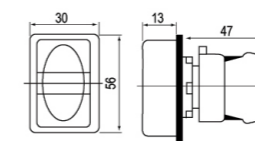
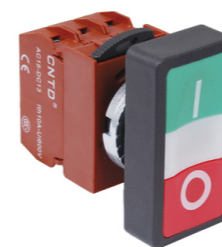
C2SIL



Color: ● ● ● ●

Function type	Product reference	Voltage
Long handle with lamp knob 2 to the self-locking	C2SIL-F2-1A-R/G/Y/BL	12/24/36/48/110/220/380
	C2SIL-F2-1B-R/G/Y/BL	12/24/36/48/110/220/380
	C2SIL-F2-1C-R/G/Y/BL	12/24/36/48/110/220/380
Long handle with lamp knob 3 to the self-locking	C2SIL-F3-2A-R/G/Y/BL	12/24/36/48/110/220/380
	C2SIL-F3-1C-R/G/Y/BL	12/24/36/48/110/220/380

C2PID

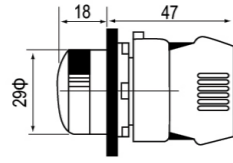


Function type	Product reference	Voltage
Double with lamp button	C2PID-1C/2A/2B	12/24/36/48/110/220/380



Appearance and Dimension

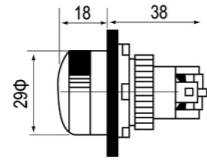
C2LIF



Color: ● ● ● ●

Function type	Product reference	Voltage
Standard type indicating lamp	C2LIF-R/G/Y/W/BL	12/24/36/48/110/220/380

C2LUF



Color: ● ● ● ●

Function type	Product reference	Voltage
Circular type indicating lamp	C2LUF-R/G/Y/W/BL	12/24/36/48/110/220/380

C2MN-T2



Function type	Product reference	Note
Monolever Switch 2 to reset	C2MN-T2-1C/2A/2B/2D	2D=1A1B+1A1B

C2MN-F2



Function type	Product reference	Note
Monolever Switch 2 to the self-locking	C2MN-F2-1C/2A/2B/2D	2D=1A1B+1A1B

Appearance and Dimension

C2MN-T4



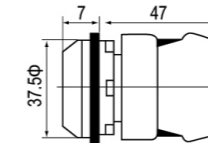
Function type	Product reference	Note
Monolever Switch 4 to reset	C2MN-T4-2D/2E	2D=1A1B+1A1B 2E=1A1A+1A1A

C2MN-F4



Function type	Product reference	Note
Monolever Switch 4 to the self-locking	C2MN-F4-2D/2E	2D=1A1B+1A1B 2E=1A1A+1A1A

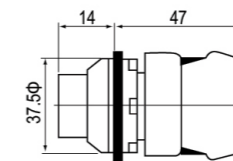
C3PNF



Color: ● ● ● ●

Function type	Product reference
Flat head	C3PNF-1A/1B/1C

C3PNH

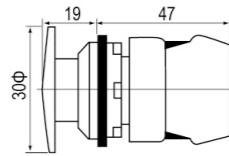


Color: ● ● ● ●

Function type	Product reference
Convex head	C3PNH-1A/1B/1C

Appearance and Dimension

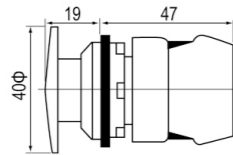
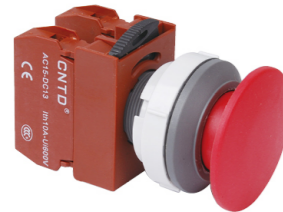
C3PNM3



Function type	Product reference
30mm big head	C3PNM3-1A/1B/1C

Color: RD GN YE BK

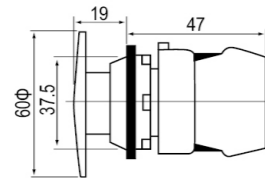
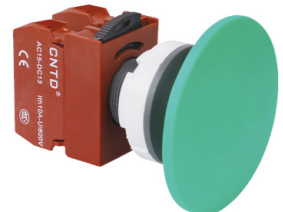
C3PNM4



Function type	Product reference
40mm big head	C3PNM4-1A/1B/1C

Color: RD GN YE BK

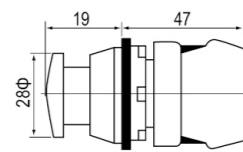
C3PNM6



Function type	Product reference
60mm big head	C3PNM6-1A/1B/1C

Color: RD GN YE BK

C3PNR3

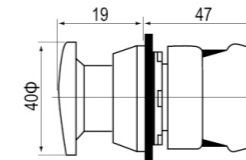


Function type	Product reference
30mm Emergency stop head	C3PNR3-1A/1B/1C

Color: RD GN YE BK

Appearance and Dimension

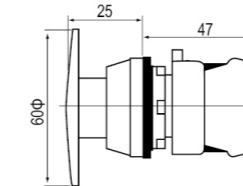
C3PNR4



Function type	Product reference
40mm Emergency stop head	C3PNR4-1A/1B/1C

Color: RD GN YE BK

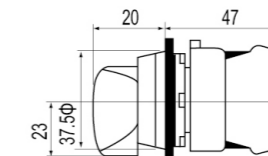
C3PNR6



Function type	Product reference
60mm Emergency stop head	C3PNR6-1A/1B/1C

Color: RD GN YE BK

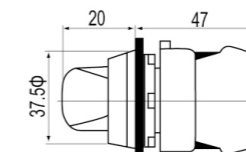
C3SNL



Function type	Product reference
Long handle knob 2 to the self-locking	C3SNL-F2-1A/1B/1C/2A
Long handle knob 3 to the self-locking	C3SNL-F3-2A/1C/2B

Color: RD GN YE BK

C3SNS



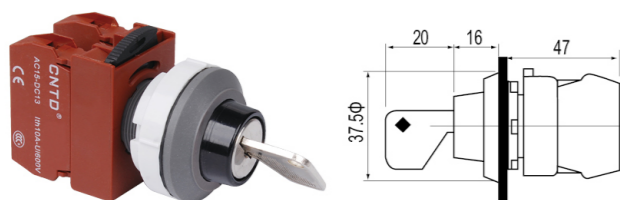
Function type	Product reference
Short handle knob 2 to the self-locking	C3SNS-F2-1A/1B/1C/2A
Short handle knob 3 to the self-locking	C3SNS-F3-2A/1C/2B

Color: RD GN YE BK



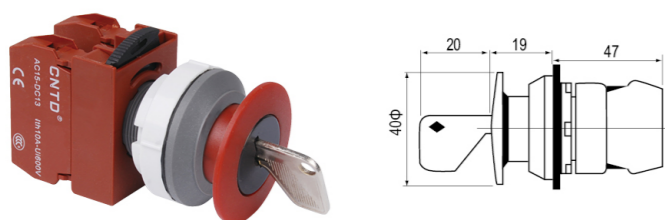
Appearance and Dimension

C3SNK



Function type	Product reference
Key knob 2 to the self-locking	C3SNK-F2-1A/1B/1C/2A
Key knob 3 to the self-locking	C3SNK-F3-2A/1C/2B

C3PNKM4



Function type	Product reference
Emergency stop key knob	C3PNKM4-1A/1B/1C

Color: ● ● ● ●

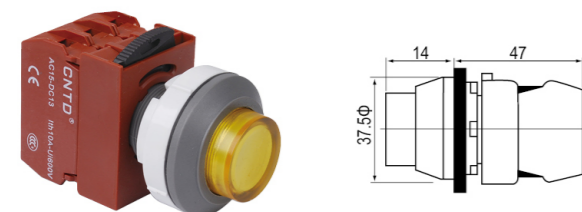
C3PIF



Function type	Product reference	Voltage
Flat ribbon lamp button	C3PIF-1A-R/G/Y/BL	12/24/36/48/110/220/380
Flat ribbon lamp button	C3PIF-1B-R/G/Y/BL	12/24/36/48/110/220/380
Flat ribbon lamp button	C3PIF-1C-R/G/Y/BL	12/24/36/48/110/220/380

Color: ● ● ● ●

C3PIH

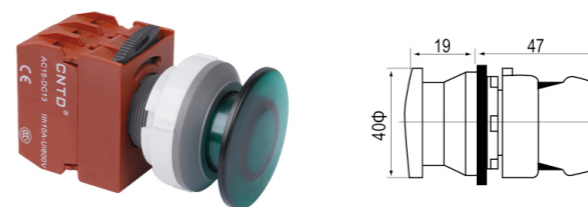


Function type	Product reference	Voltage
Convex head with lamp button	C3PIH-1A-R/G/Y/BL	12/24/36/48/110/220/380
Convex head with lamp button	C3PIH-1B-R/G/Y/BL	12/24/36/48/110/220/380
Convex head with lamp button	C3PIH-1C-R/G/Y/BL	12/24/36/48/110/220/380

Color: ● ● ● ●

Appearance and Dimension

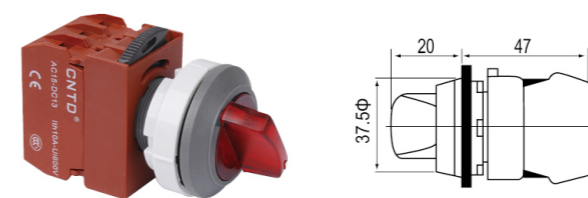
C3PIM4



Color: ● ● ● ●

Function type	Product reference	Voltage
40mm big head with lamp button	C3PIM4-1A-R/G/Y/BL	12/24/36/48/110/220/380
40mm big head with lamp button	C3PIM4-1B-R/G/Y/BL	12/24/36/48/110/220/380
40mm big head with lamp button	C3PIM4-1C-R/G/Y/BL	12/24/36/48/110/220/380

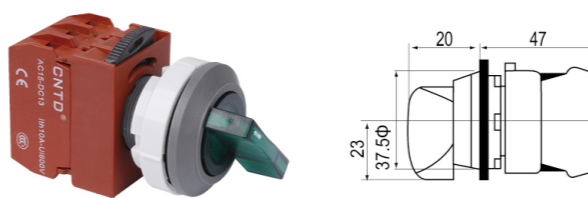
C3SIS



Color: ● ● ● ●

Function type	Product reference	Voltage
Short shank with lamp knob 2 to the self-locking	C3SIS-F2-1A-R/G/Y/BL	12/24/36/48/110/220/380
	C3SIS-F2-1B-R/G/Y/BL	
	C3SIS-F2-1C-R/G/Y/BL	
Short shank with lamp knob 3 to the self-locking	C3SIS-F3-2A-R/G/Y/BL	12/24/36/48/110/220/380
	C3SIS-F3-1C-R/G/Y/BL	

C3SIL



Color: ● ● ● ●

Function type	Product reference	Voltage
Long handle with lamp knob 2 to the self-locking	C3SIL-F2-1A-R/G/Y/BL	12/24/36/48/110/220/380
	C3SIL-F2-1B-R/G/Y/BL	
	C3SIL-F2-1C-R/G/Y/BL	
Long handle with lamp knob 3 to the self-locking	C3SIL-F3-2A-R/G/Y/BL	12/24/36/48/110/220/380
	C3SIL-F3-1C-R/G/Y/BL	

C3LIF



Color: ● ● ● ● ●

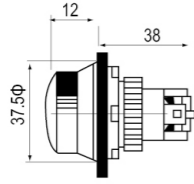
Function type	Product reference	Voltage
Standard type indicating lamp	C3LIF-R/G/Y/W/BL	12/24/36/48/110/220/380

C2, C3 Pushbutton Switch



Appearance and Dimension

C3LUF



Function type	Product reference	Voltage
Circular type indicating lamp	C3LUF-R/G/Y/W/BL	12/24/36/48/110/220/380

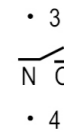
Color: ● ● ● ● ●

Contact Blocks

C10VN



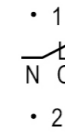
NO



C01VN



NC



C20VN



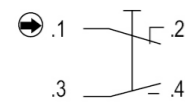
NO+NO



C11VN



NO+NC



CPDNVS



CPDNVO



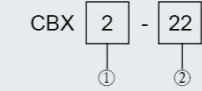
Push Button Accessories



C2, C3 Pushbutton Switch



Model Number Structure



① 1=1Holes, 2=2Holes, 3=3Holes, 4=4Holes, 5=5Holes,
 ② 22=22 φ Caliber, 30=30 φ Caliber

Appearance and Dimension

Model	Mounting Dimensions	External Dimension
	L x W	L x W x H
CBX1	53 x 38 mm	70 x 65 x 63 mm
CBX2	88 x 38 mm	100 x 65 x 63 mm
CBX3	128 x 38 mm	140 x 65 x 63 mm
CBX4	167 x 38 mm	180 x 65 x 63 mm
CBX5	206 x 38 mm	220 x 65 x 63 mm