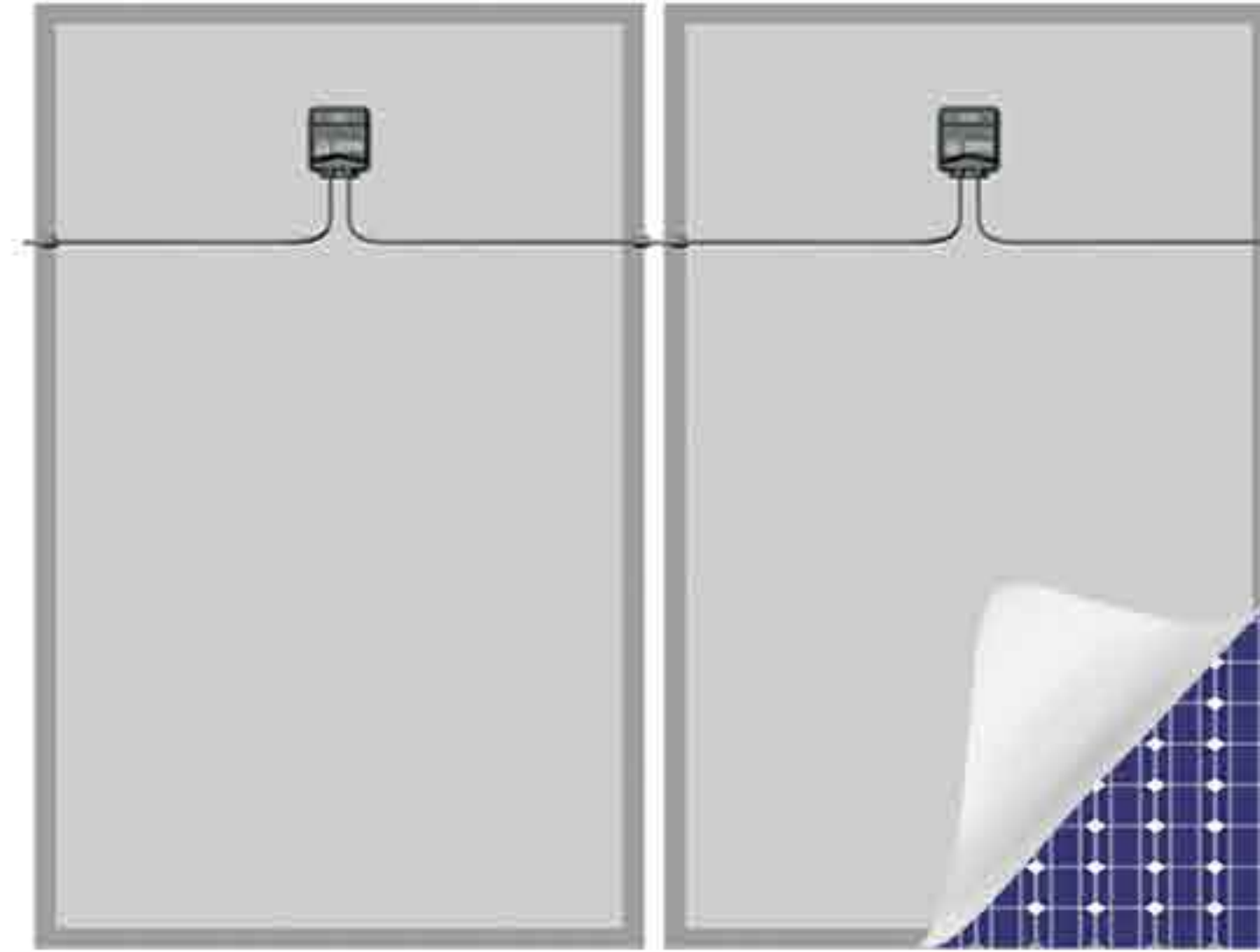


# Integrated Rapid Shutdown Device Scoutbox450

## Product Picture



## Product features

- Module-level shutdown to shut off the source of string high voltage, completely reduce the risk of electric shock to the person.
- The default shutdown state to ensure the safety of installation and maintenance personnel.
- Communicate over Power Line Communications, no need additional communication cable, easy to install.
- Safe and reliable, with output short circuit protection function, no risk of high temperature for any component failure.
- 25 years lifespan, matching solar modules.

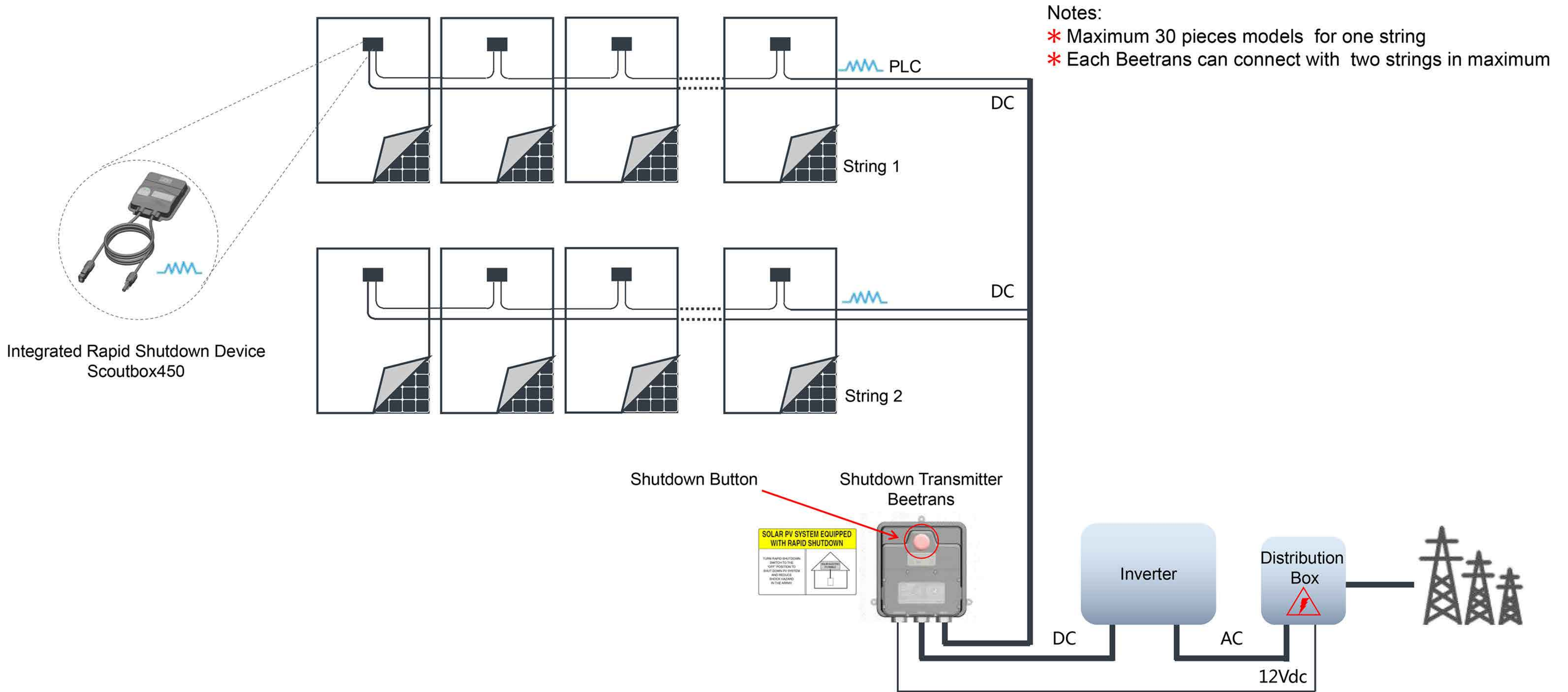
## Technical Data

Product Code	Scoutbox450
<b>INPUT</b>	
Module Max Open Circuit Voltage(Uoc)	65 V
Cell-String Max Open Circuit Voltage	25 V
Trigger Voltage	15 A
Range Of Input Operating Voltage (dc)	8 V ~ 65 V
Max Input Short Circuit Current	15 A
Max Input Power	450 W
<b>OUTPUT</b>	
Output Voltage Range	8 V ~ 65 V
Max Output Current	15 A
Max Output Power	450 W
Efficiency	>99.8%
Shutdown Output Voltage (Uoc=40V)	0.8 V
<b>INSTALLATION SPECIFICATION</b>	
PV Module Test	FLASH Test Reverse Current Test (EL)
Default Working State	Shutdown
Communication	PLC
PCBA Busbar Width	6 mm
PCBA Busbar Center Distance	22 mm
Length of Output Cable	1000 mm
Size	121.5 x 103 x 24 mm
Weight	400 g
Temperature Range	-40 ~ 85 °C
Relative Humidity Range	0 ~ 100%
Ingress Protection	IP68
System Voltage	1000 V / 1500 V
<b>STANDARD COMPLIANCE</b>	
Regulations	NEC 2017 690.12
Safety	UL1741 , CSA C22.2 No. 330 , UL 1703 , ULC1703-01
EMC	FCC Part15 ClassB
	IEC61000-6-2 / IEC61000-6-3
	EN61000-6-2 / EN61000-6-3
Hardware and Software Safety Standards	UL 991 , UL 1998 , CSA C22.2 No. 0.8 -12



# PV Rapid Shutdown Solution (Integrated Rapid Shutdown device, PLC Communication)

Case :  
 10KW PV Station: 26pcs 390W Panels, 2 Strings  
 26pcs Scoutbox450 + 1pcs Beetrans-Master



- Notes:
- \* Maximum 30 pieces models for one string
  - \* Each Beetrans can connect with two strings in maximum

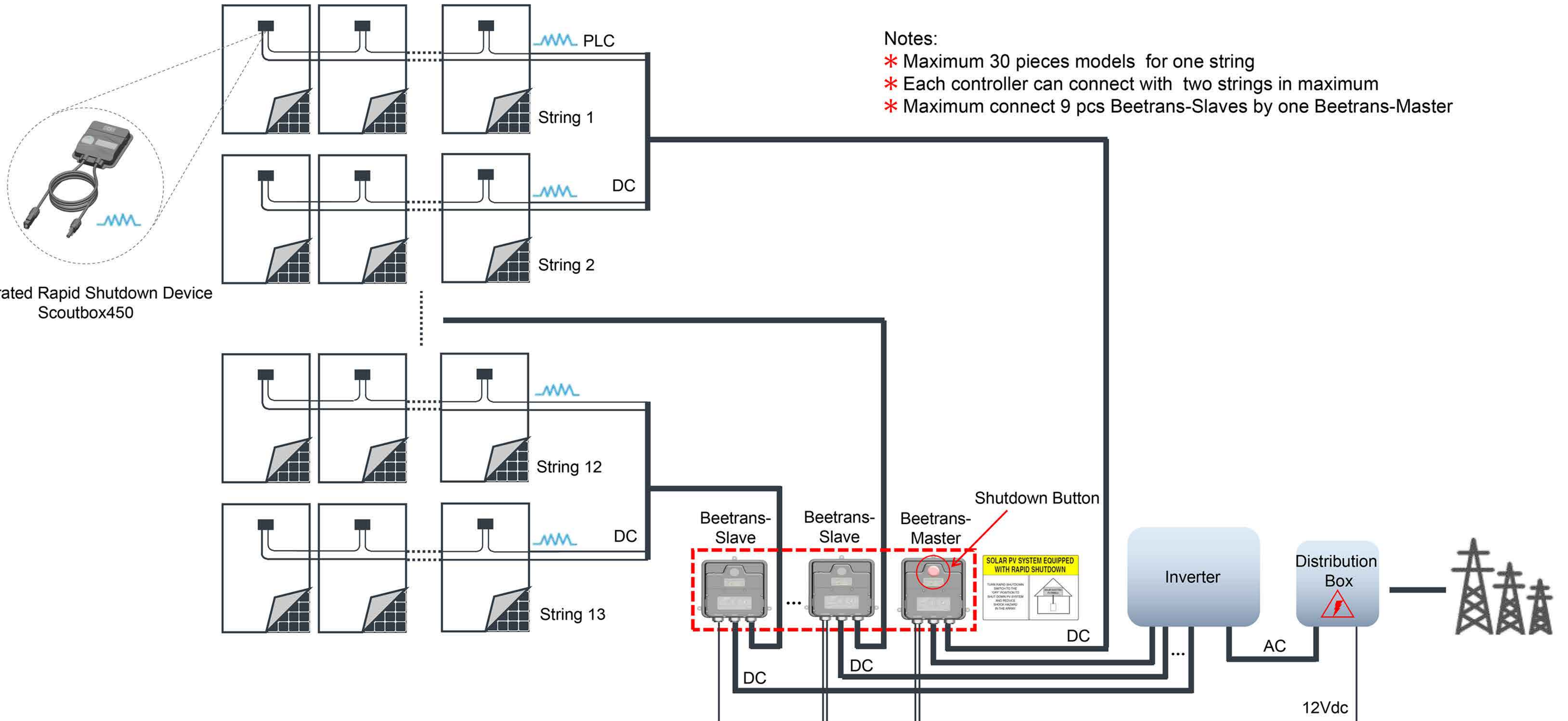


# PV Rapid Shutdown Solution (Integrated Rapid Shutdown device, PLC Communication)

Case :

100KW PV Station: 260pcs 390W Panels, 20 Panels per String, 13 Strings in total

260pcs Scoutbox450 + 1pcs Beetrans-Master + 6pcs Beetrans-Slave



Integrated Rapid Shutdown Device Scoutbox450