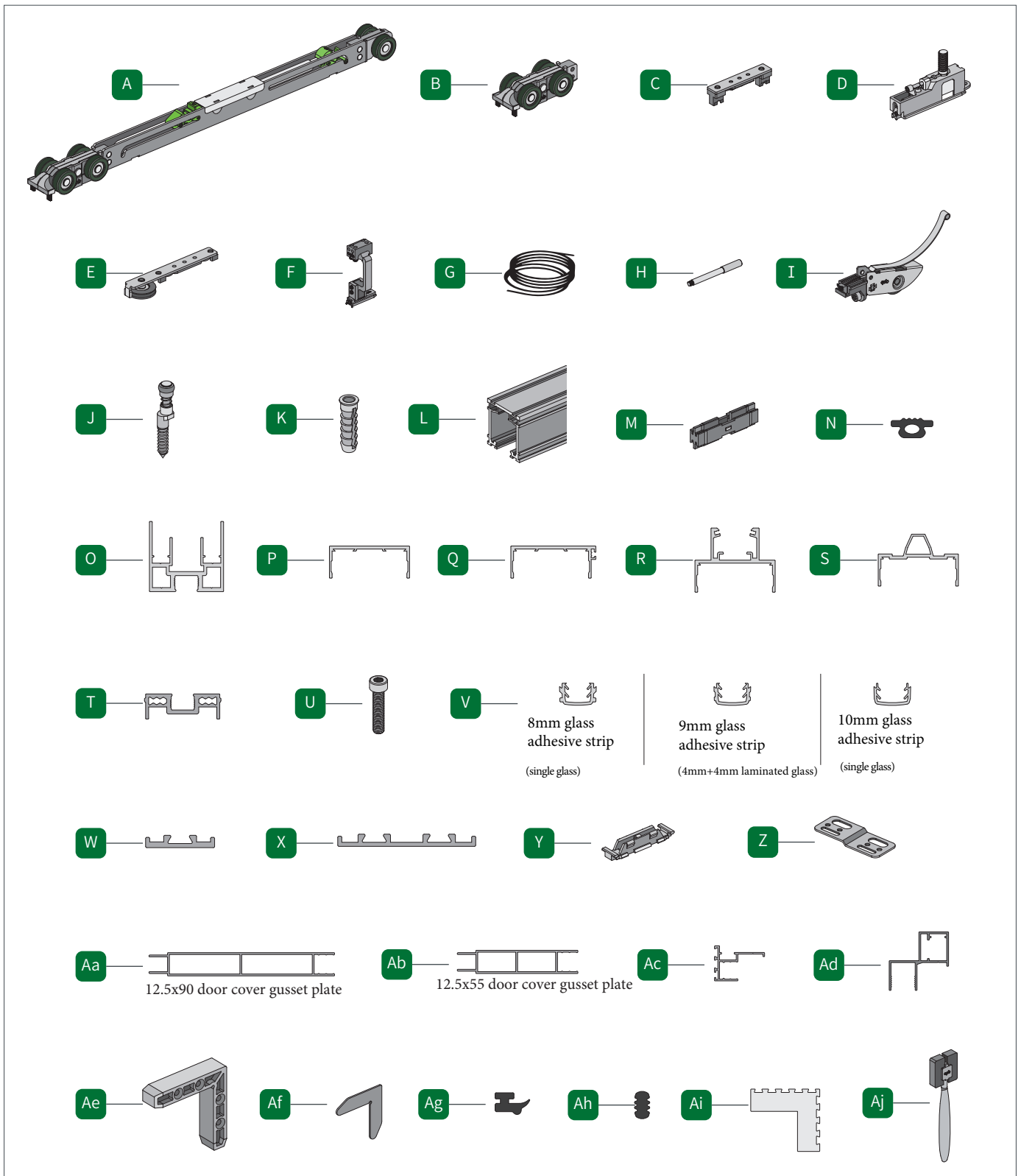
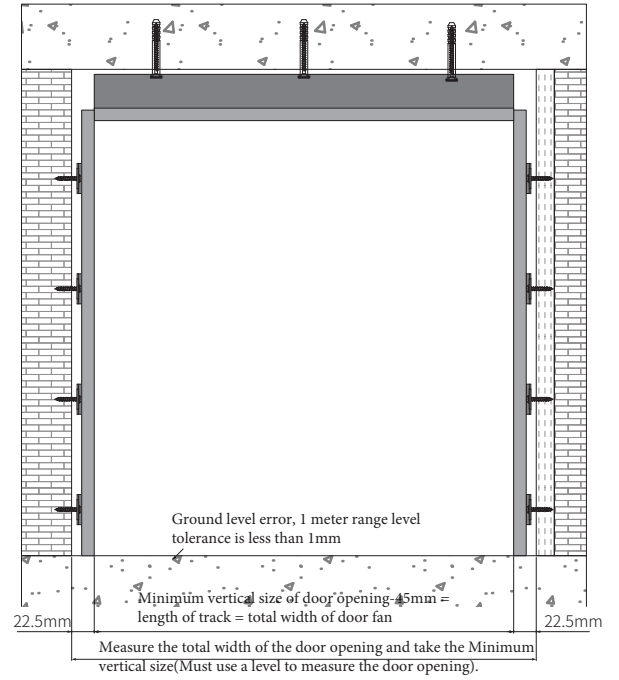
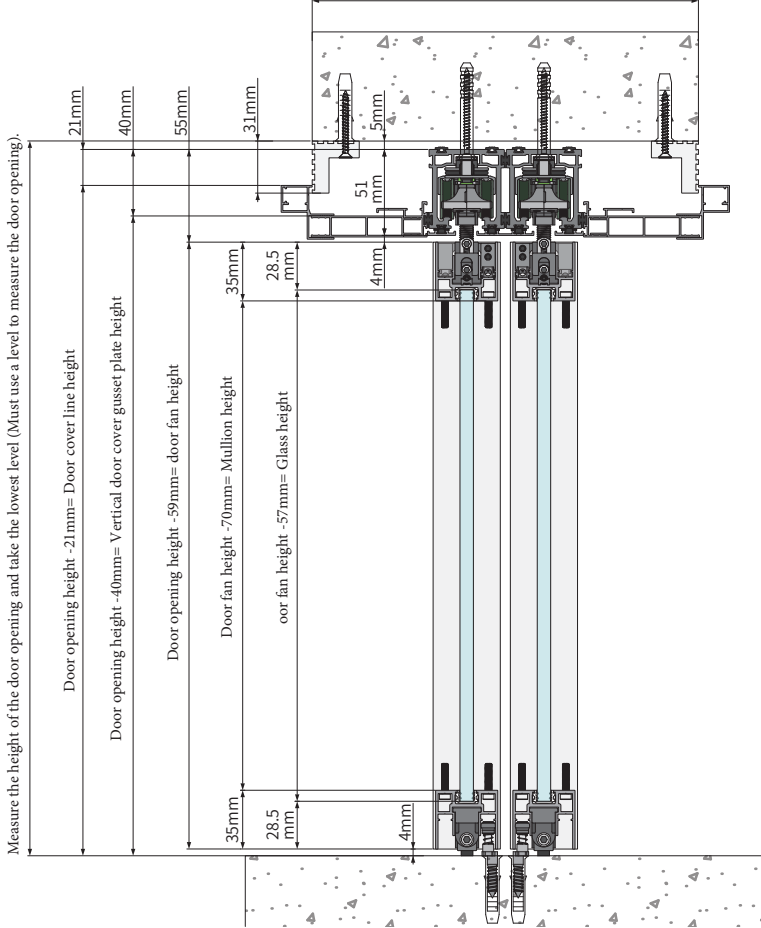


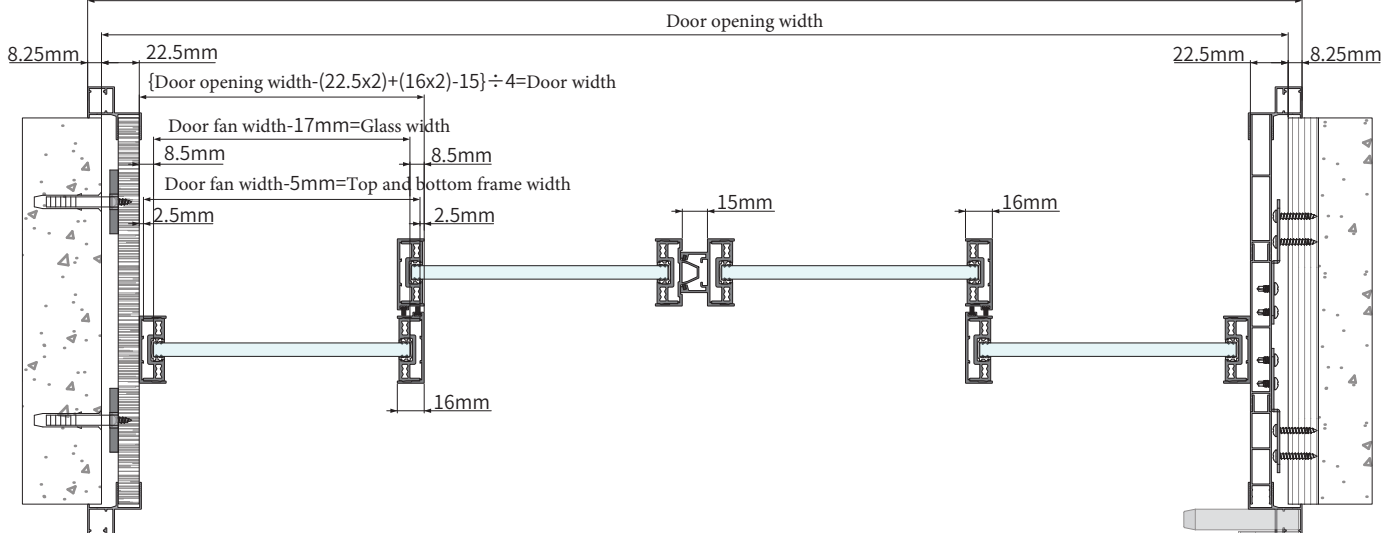
opk® Perfect A21 synchronized Linkage Door-Installation Instructions



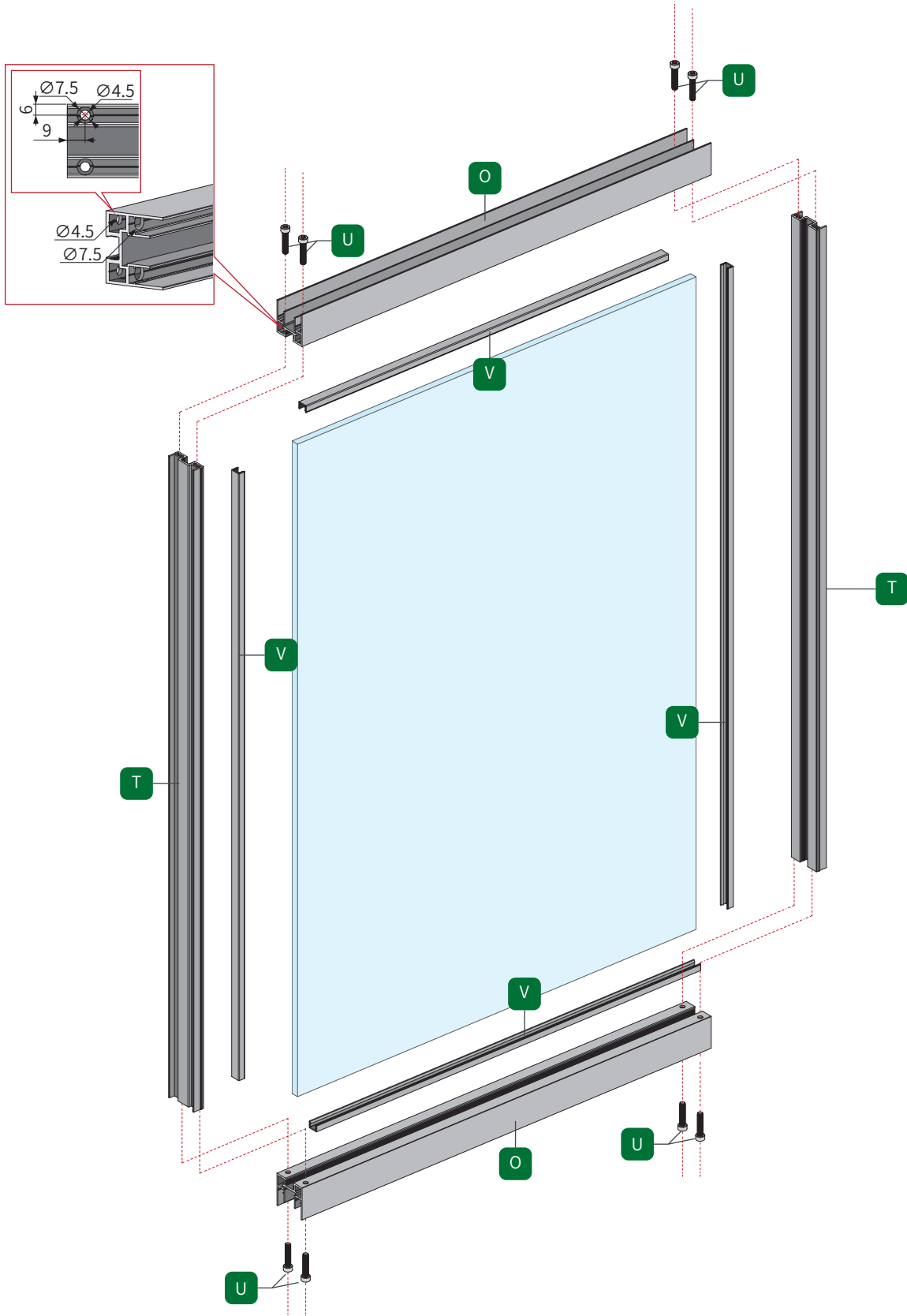
The wall thickness of the 40 system is greater than 155mm



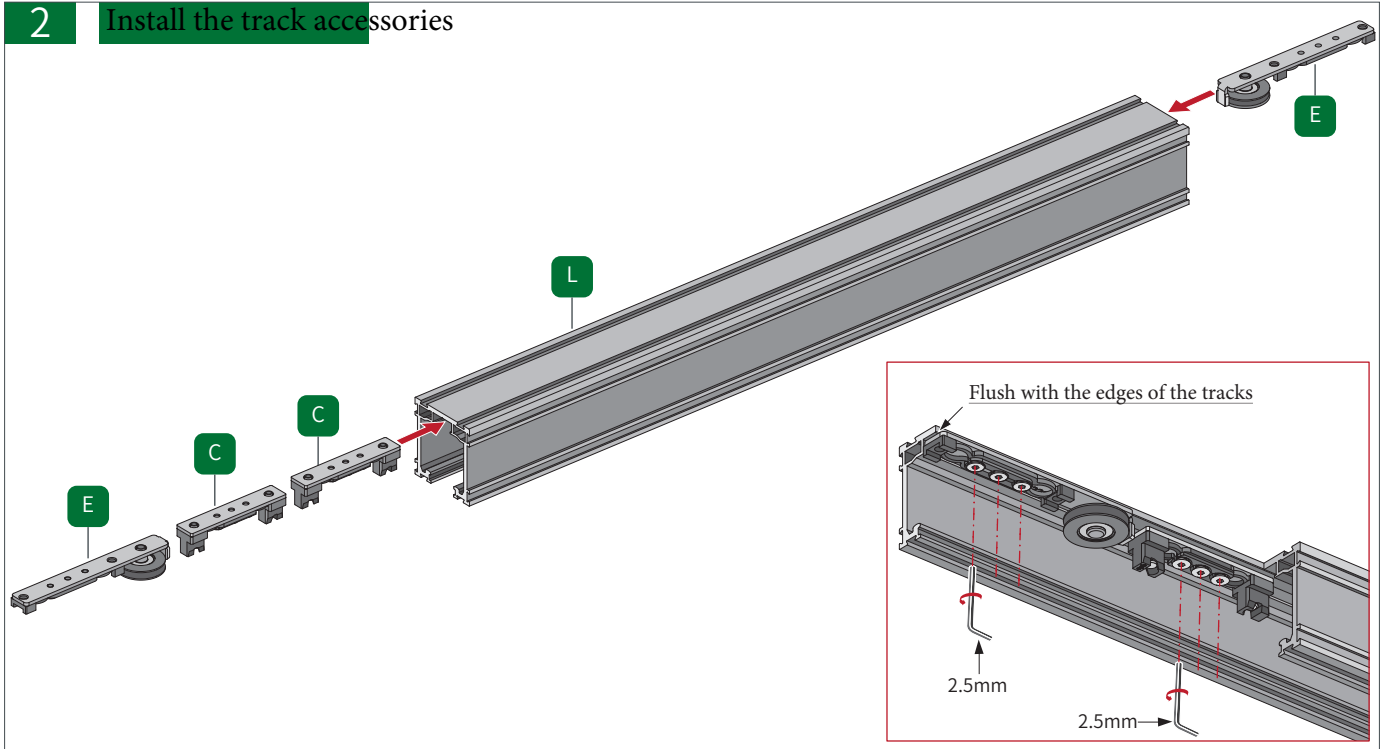
Door opening width + 16.5mm = Door cover line width



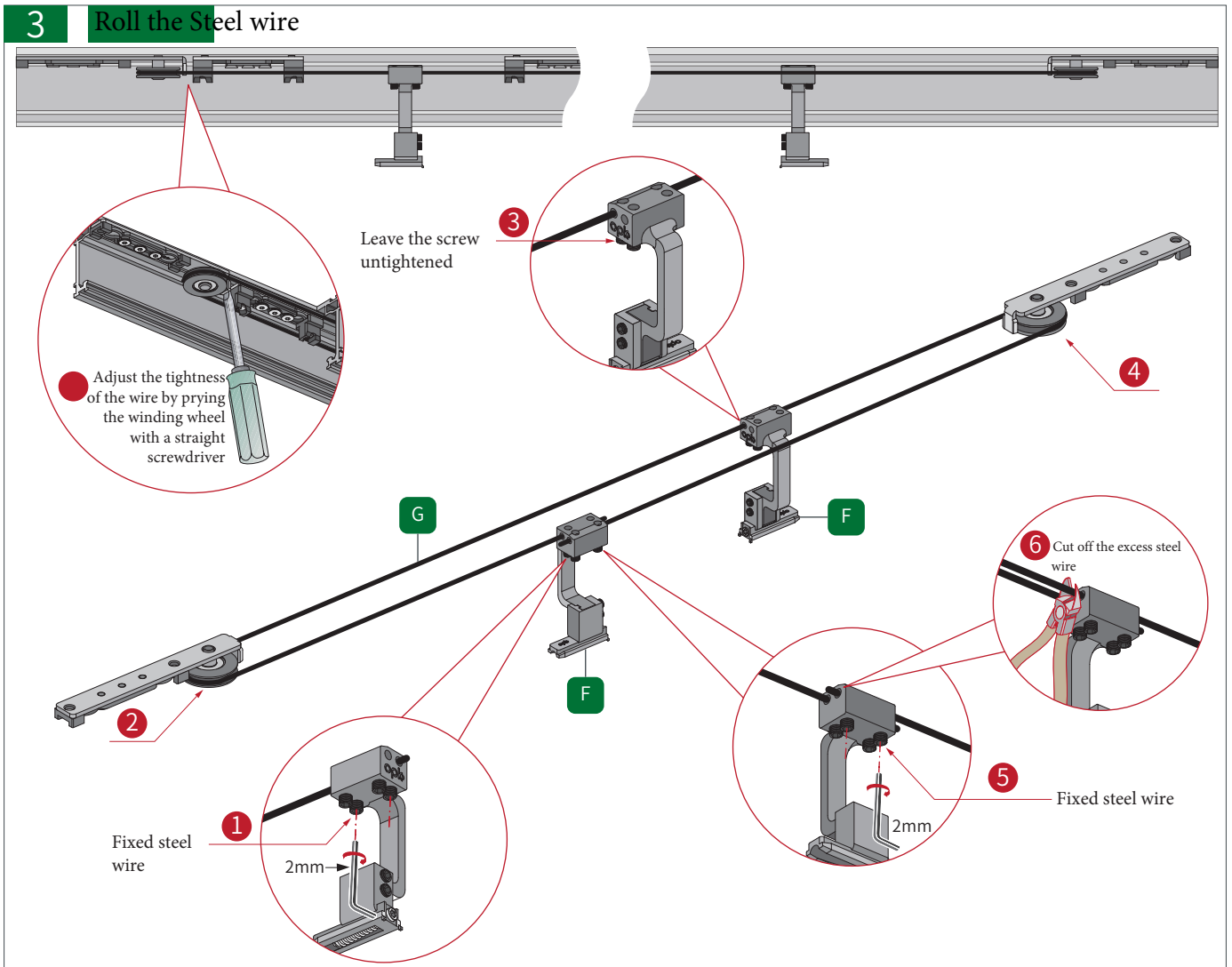
1 Spliced door frame



2 Install the track accessories

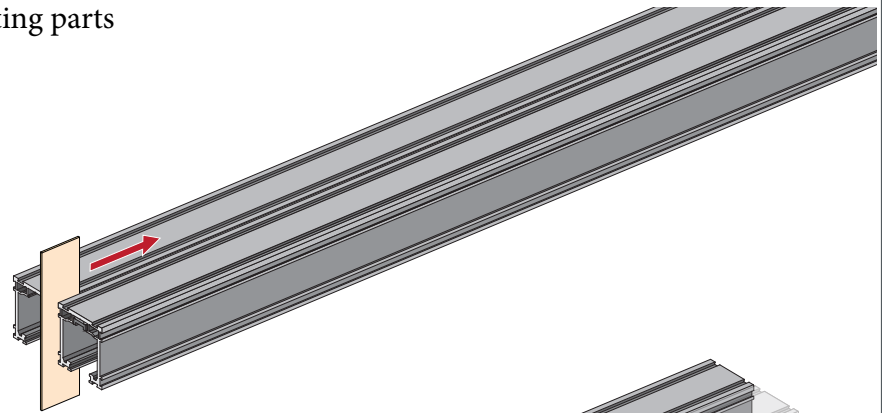
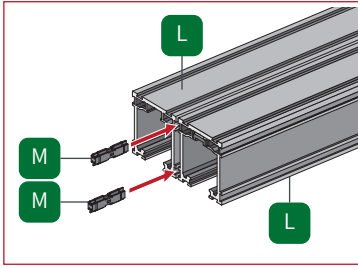


3 Roll the Steel wire



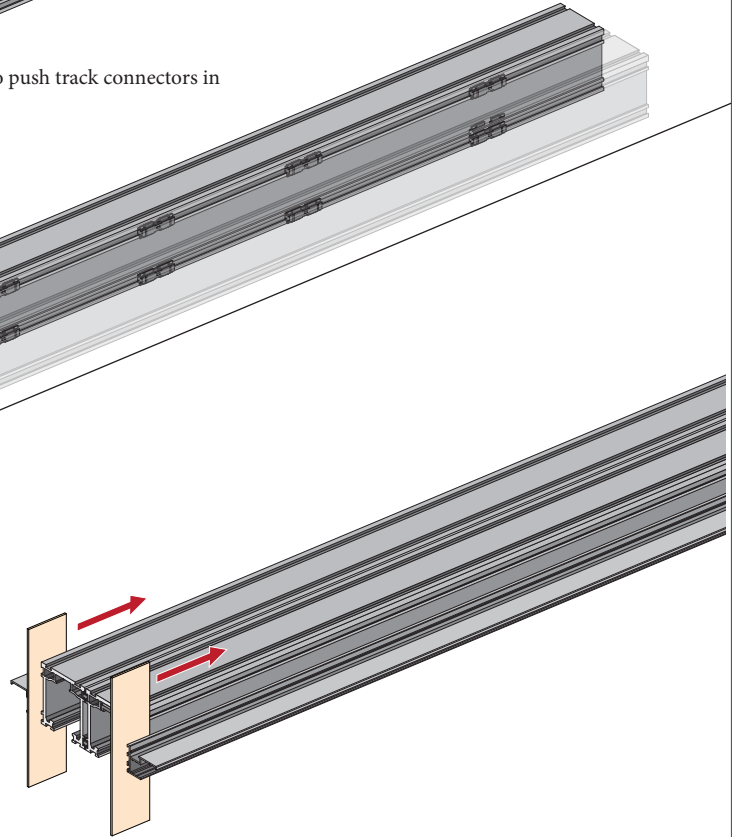
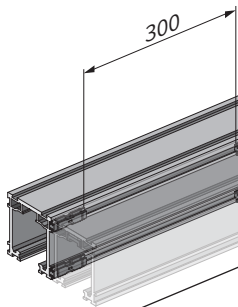
4-1 Connect track profiles and fitting parts

1 Insert the Tracks-connecting parts into the notch

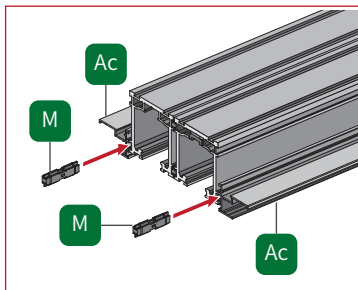


2 Use thin sheets to push track connectors in

! Each interval is 300mm

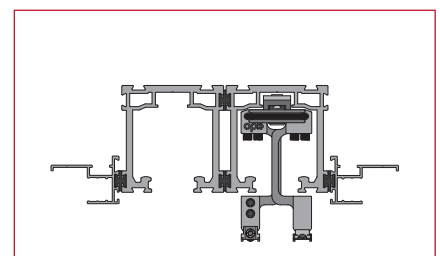
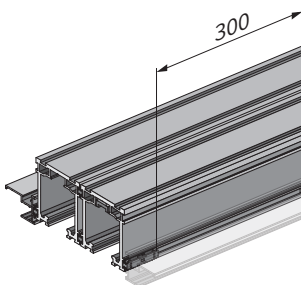


3 Insert the Tracks-connecting parts into the notch

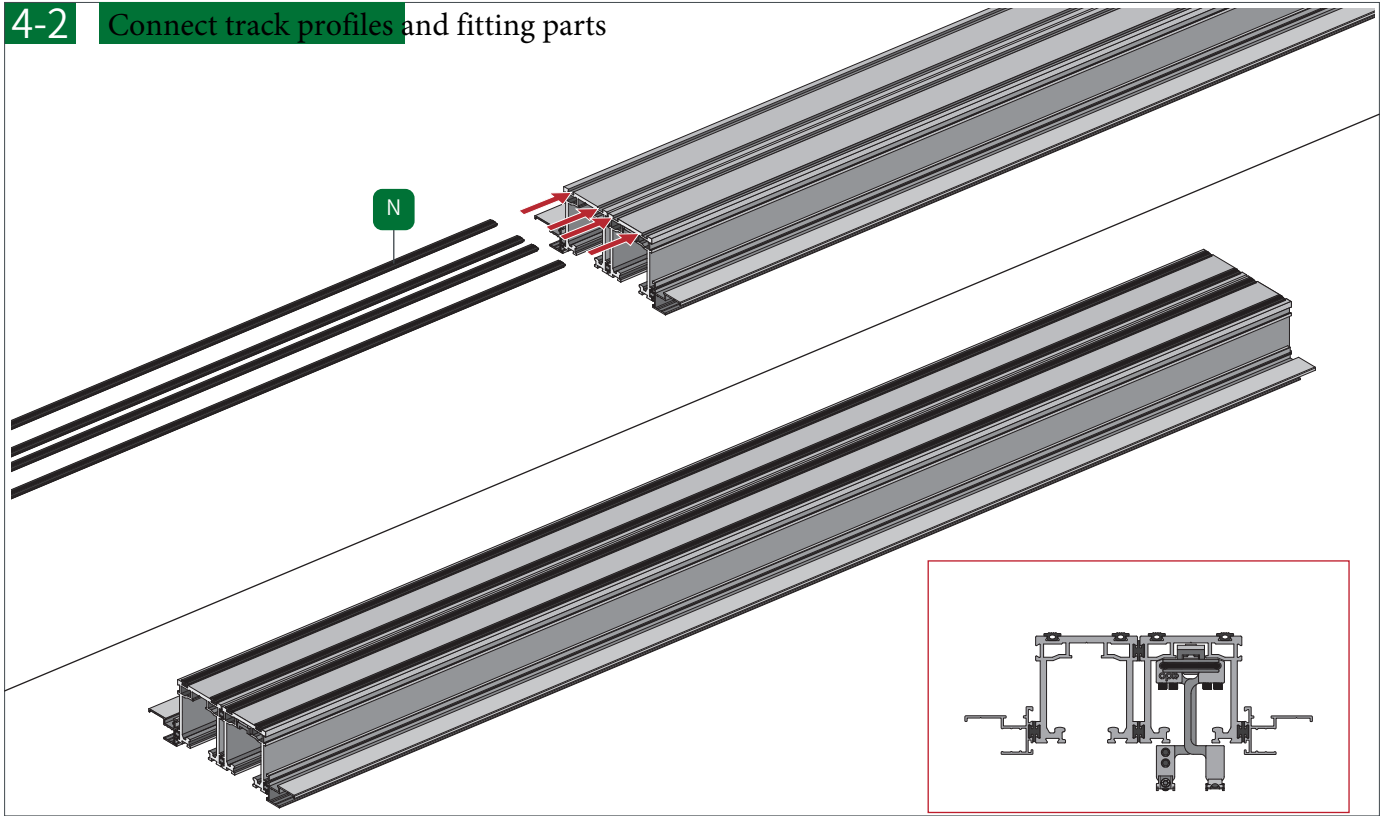


4 Use thin sheets to push track connectors in

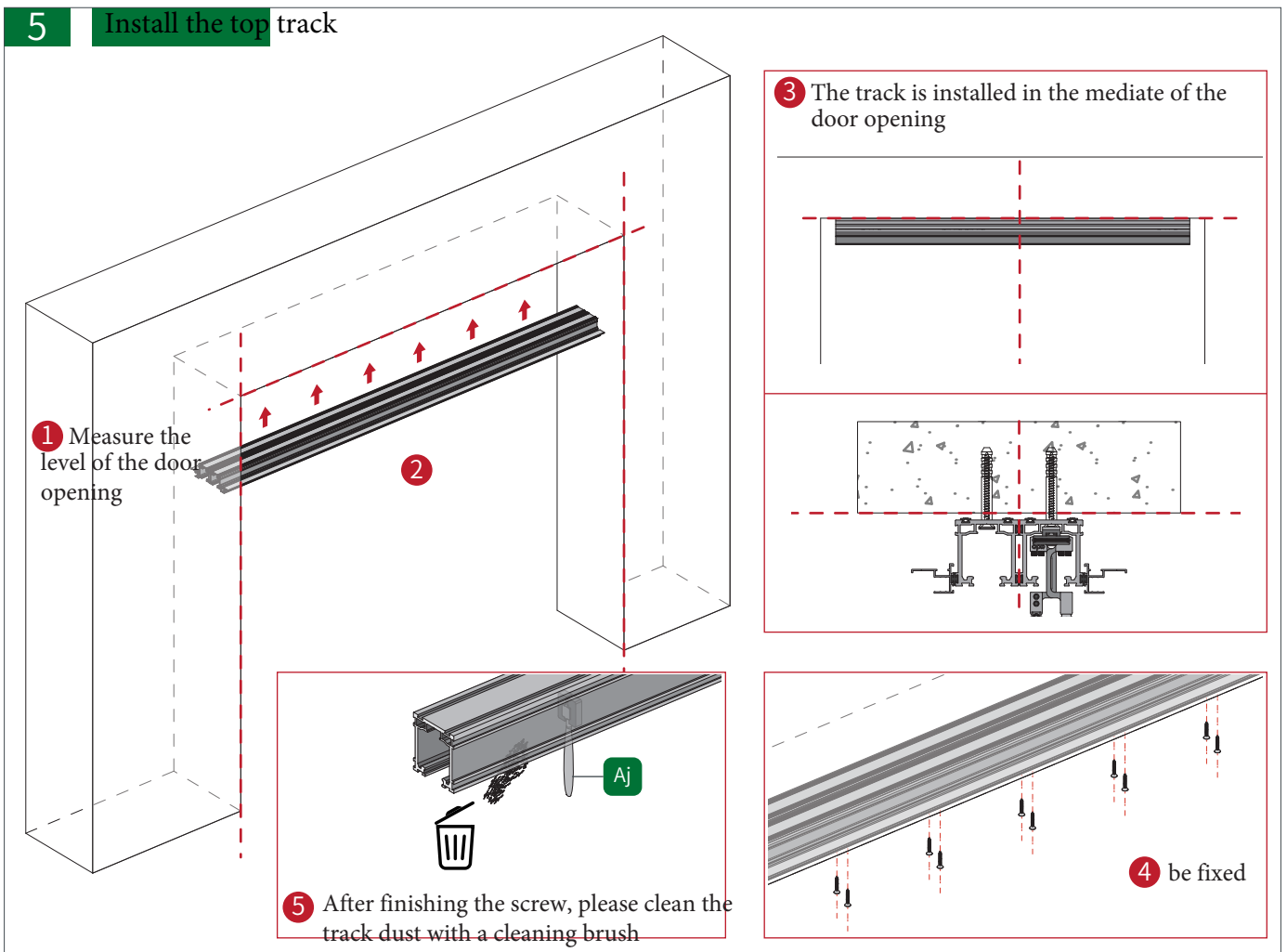
! Each interval is 300mm



4-2 Connect track profiles and fitting parts



5 Install the top track



6 Install the decorative door cover of the top track

300

! Place one piece every 300mm

Y W X W

1

2

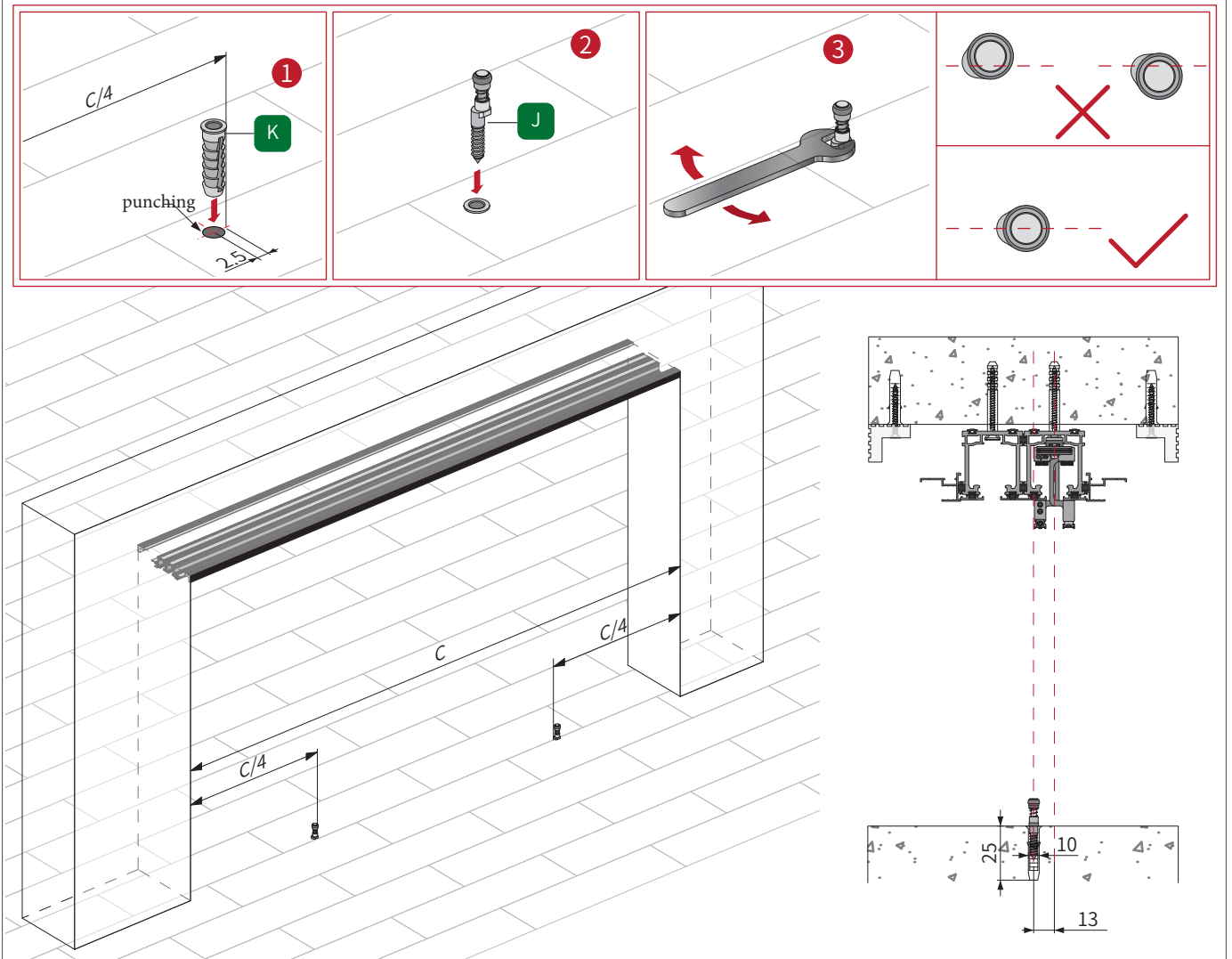
7 Install the closing L-Bar

Ai Ai

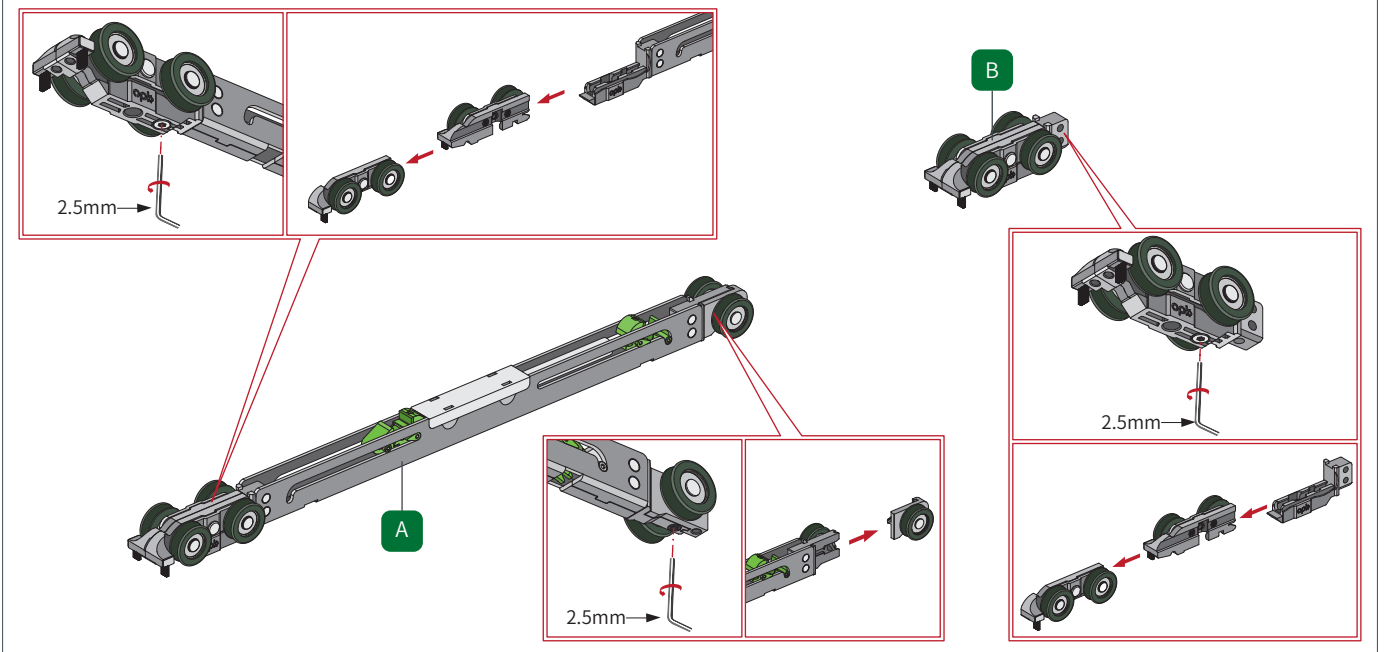
1

2 be fixed

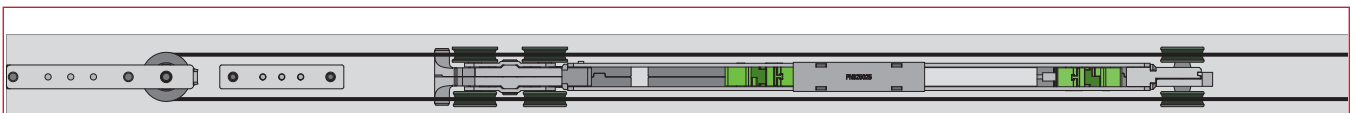
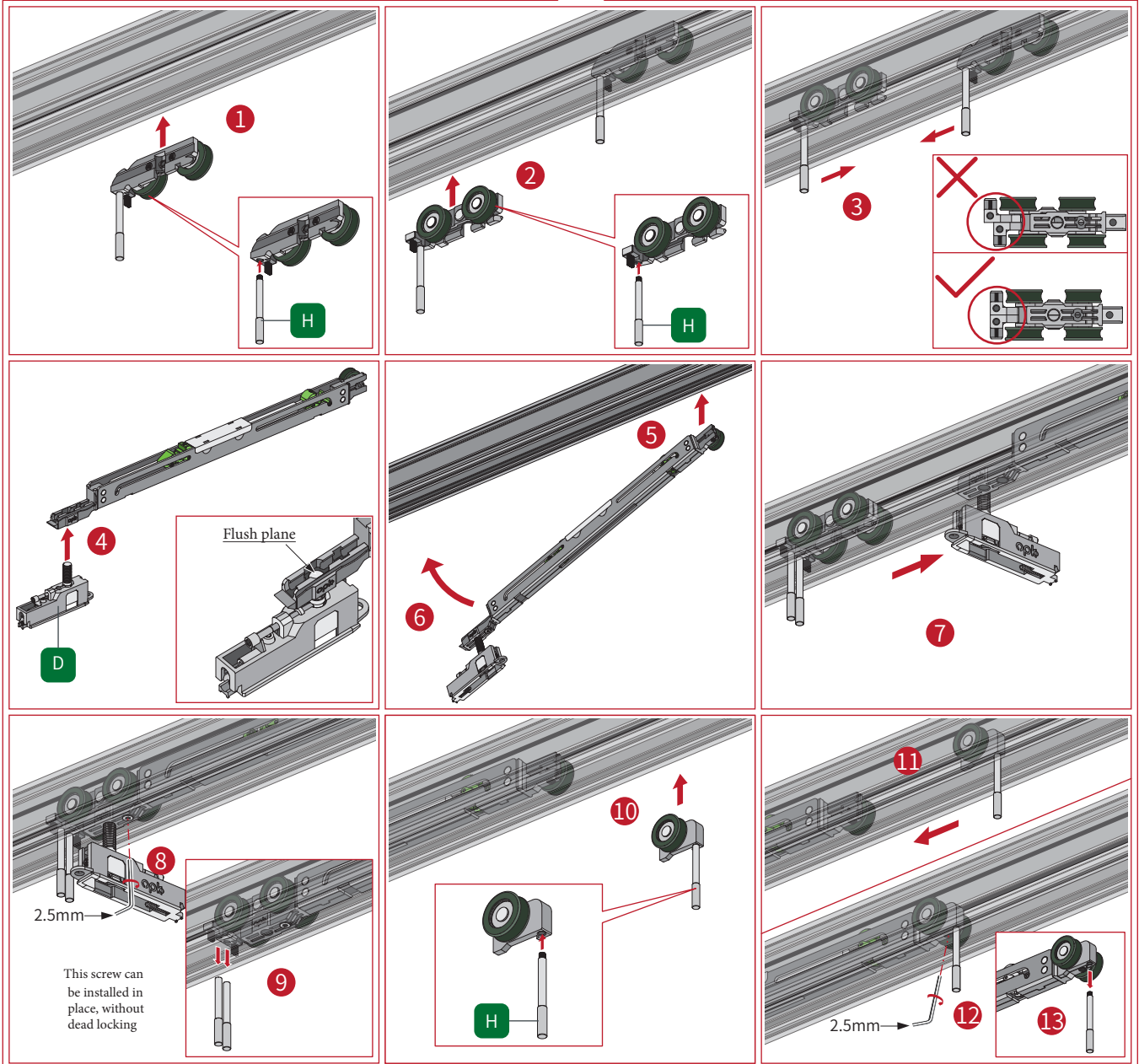
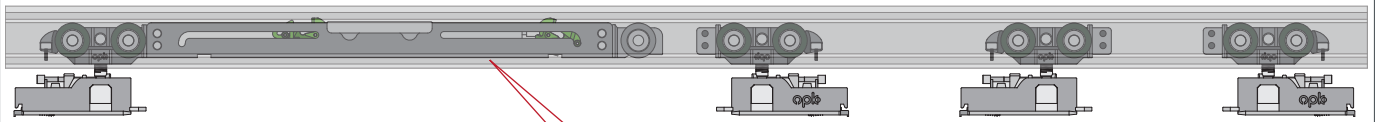
8 Install the floor guide wheel



9 Disassemble the top sliding roller

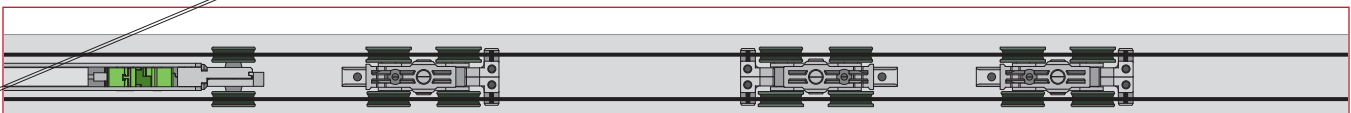
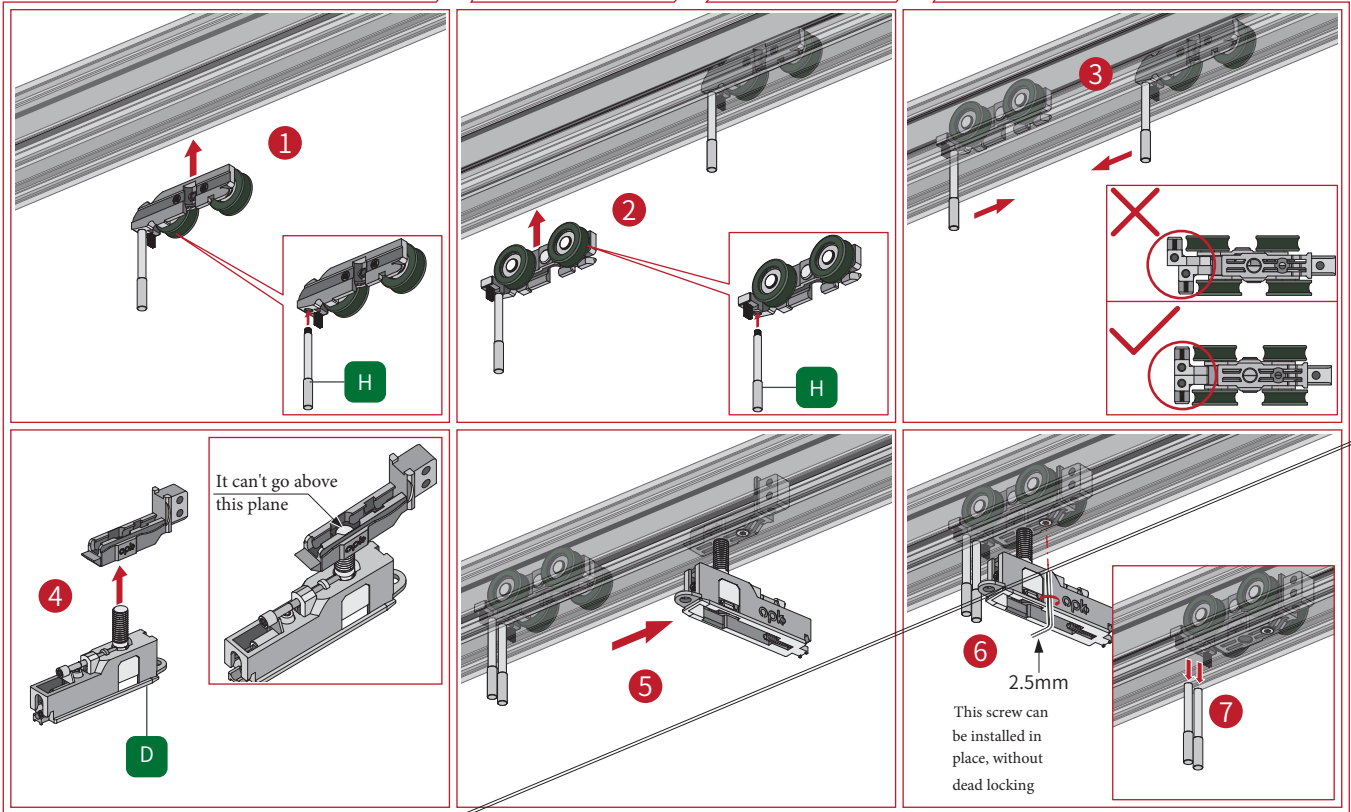
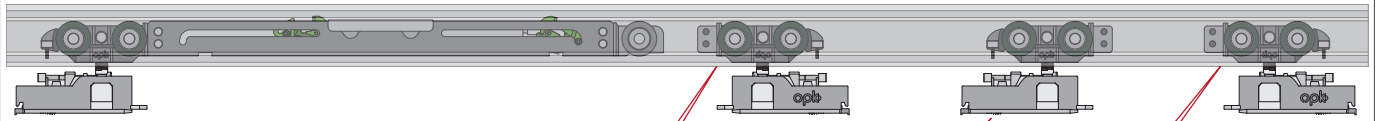



10-1 Install the top sliding roller



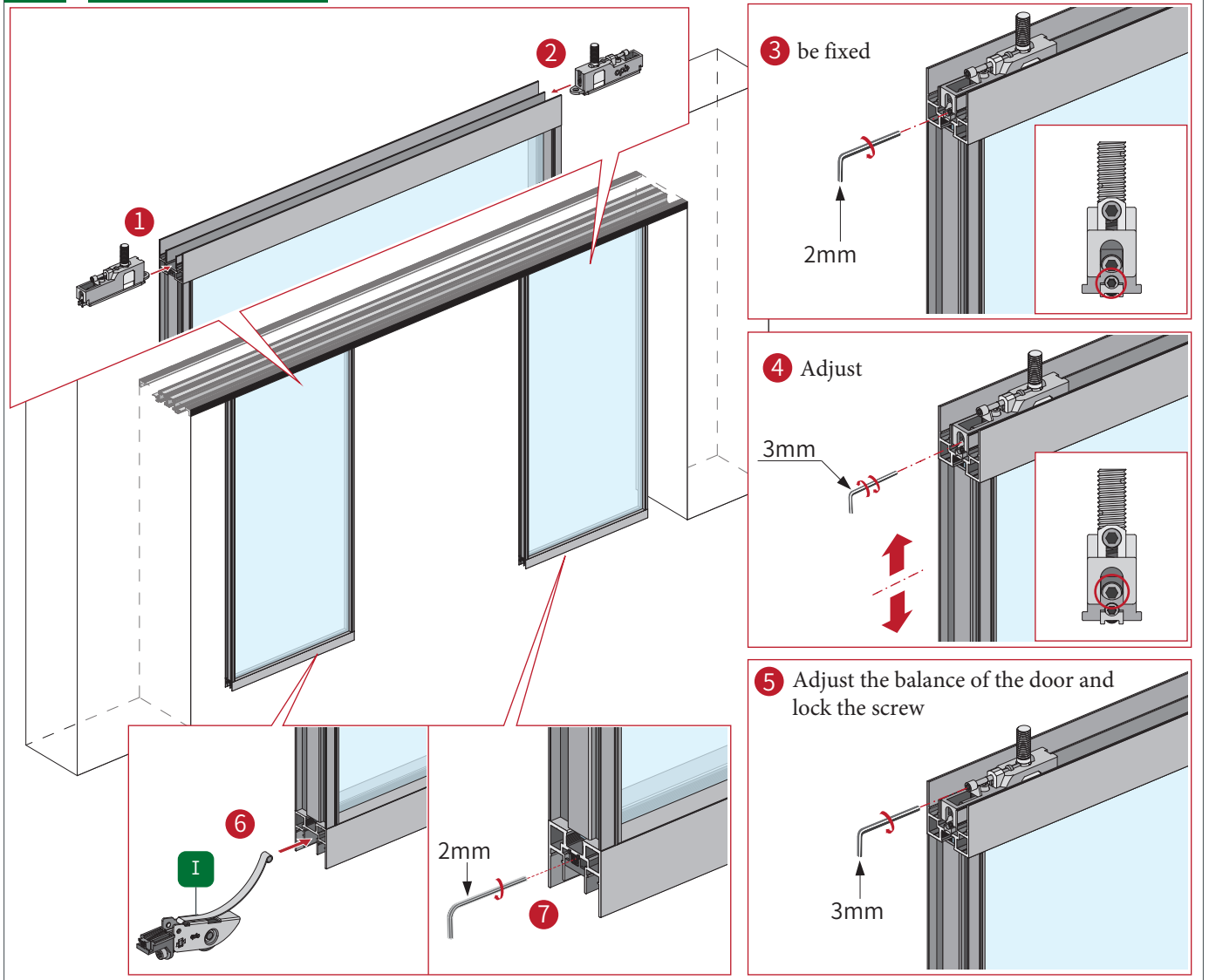
! The steel wire should be in the middle of the concave wheel

10-2 Install the top sliding roller

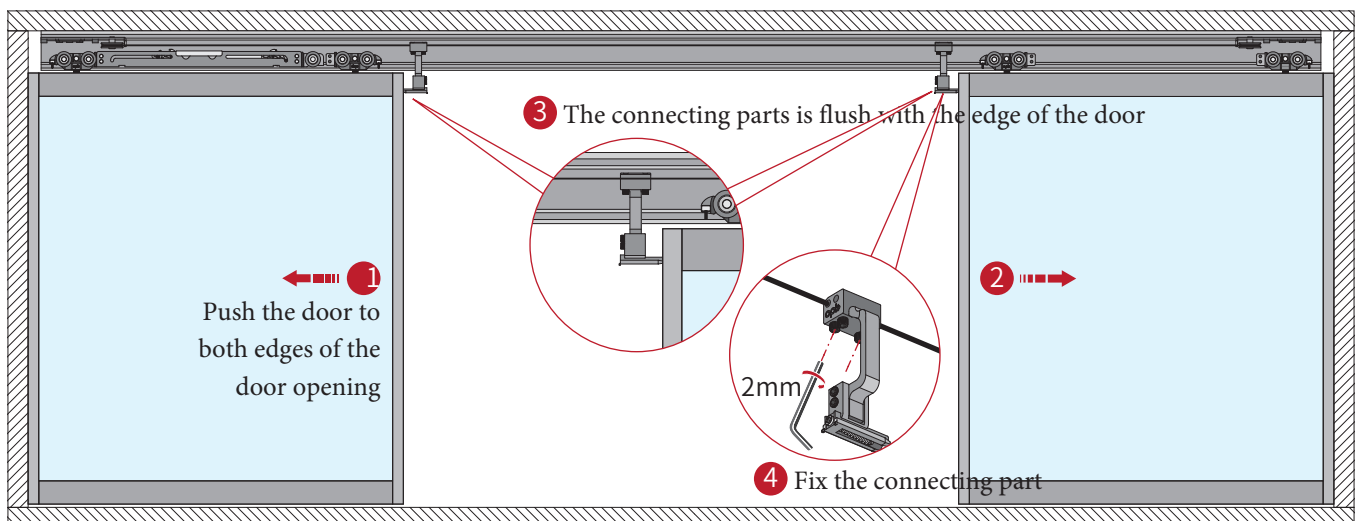


 The steel wire should be in the middle of the concave wheel

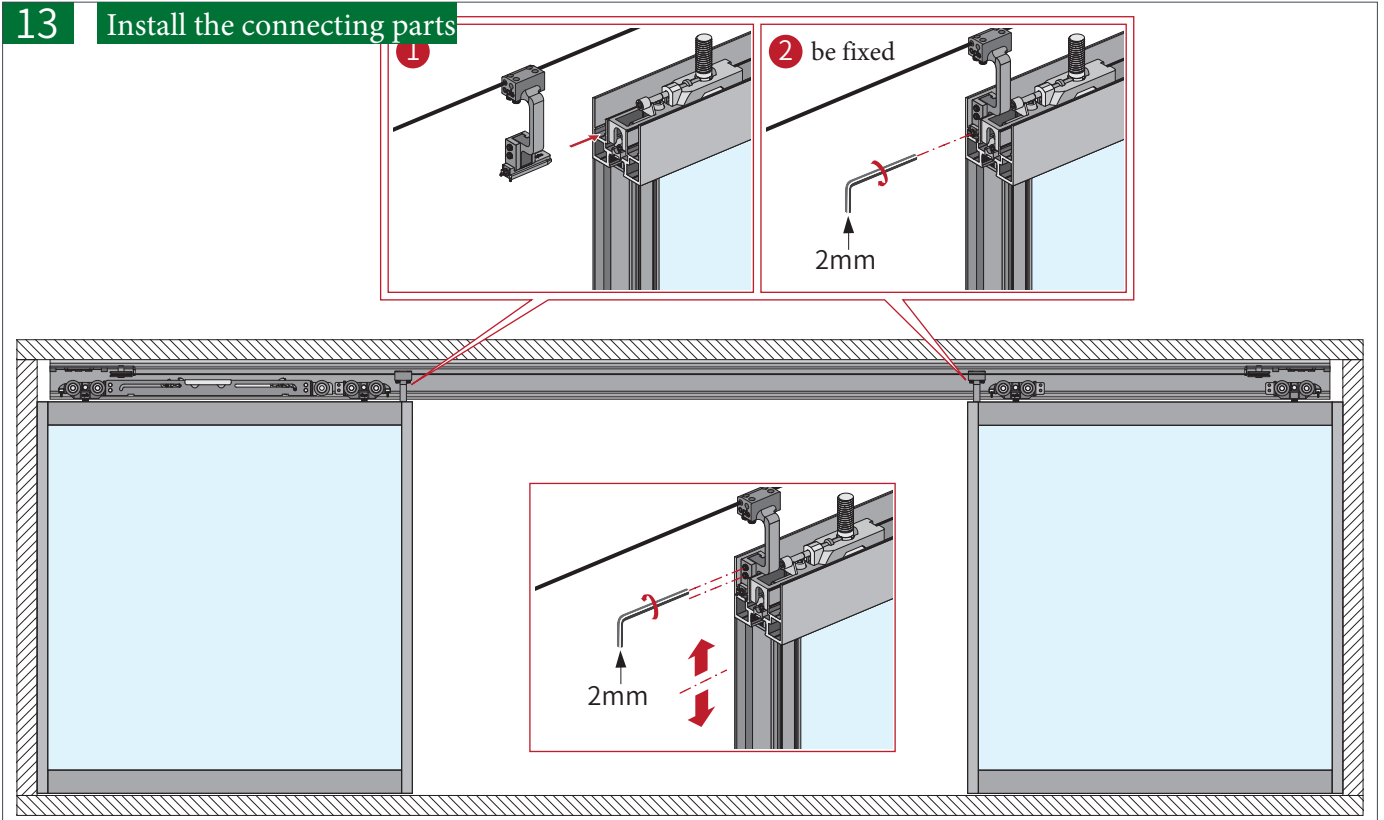
11 Install the door fan



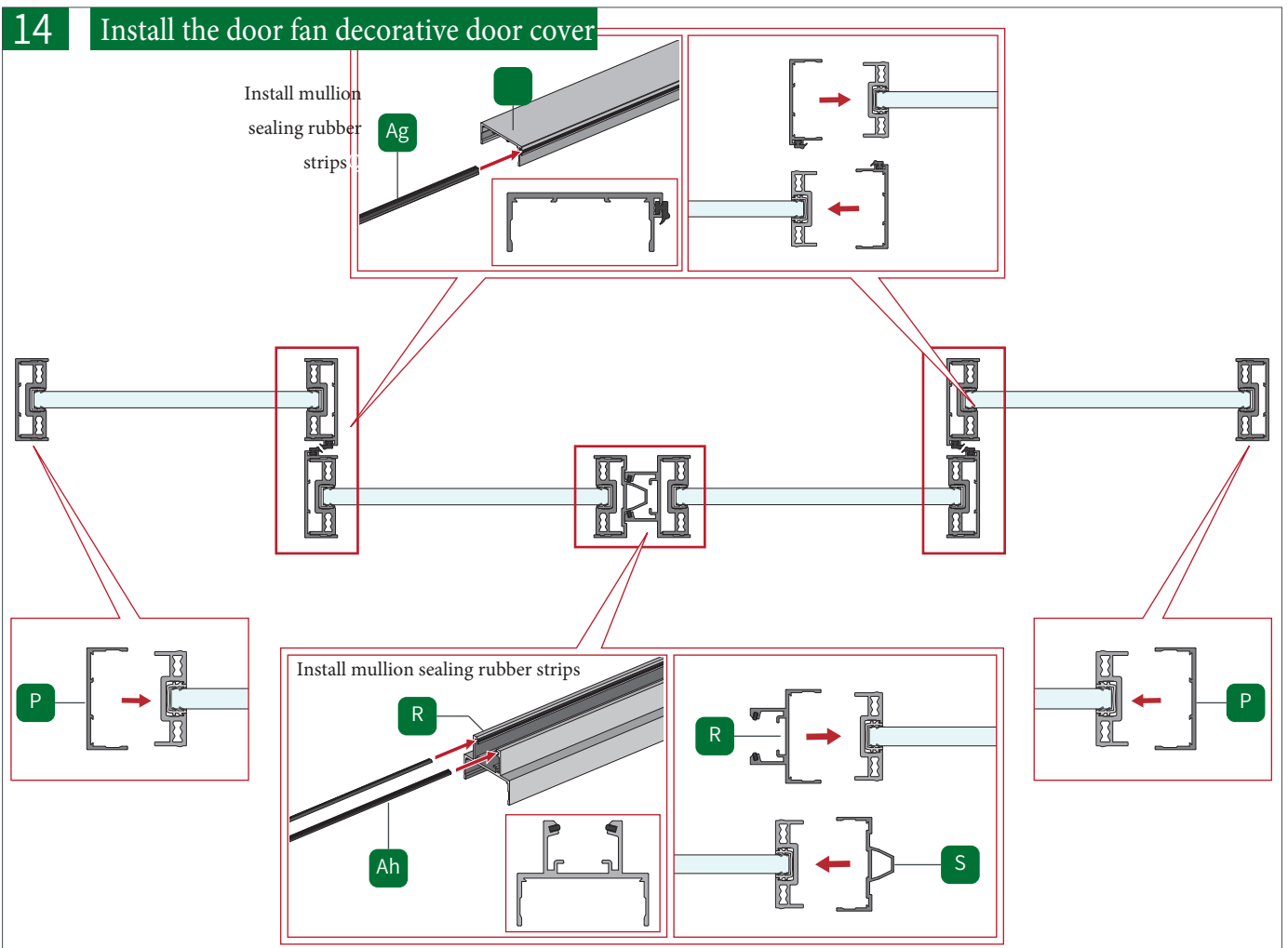
12 Fix the connecting parts



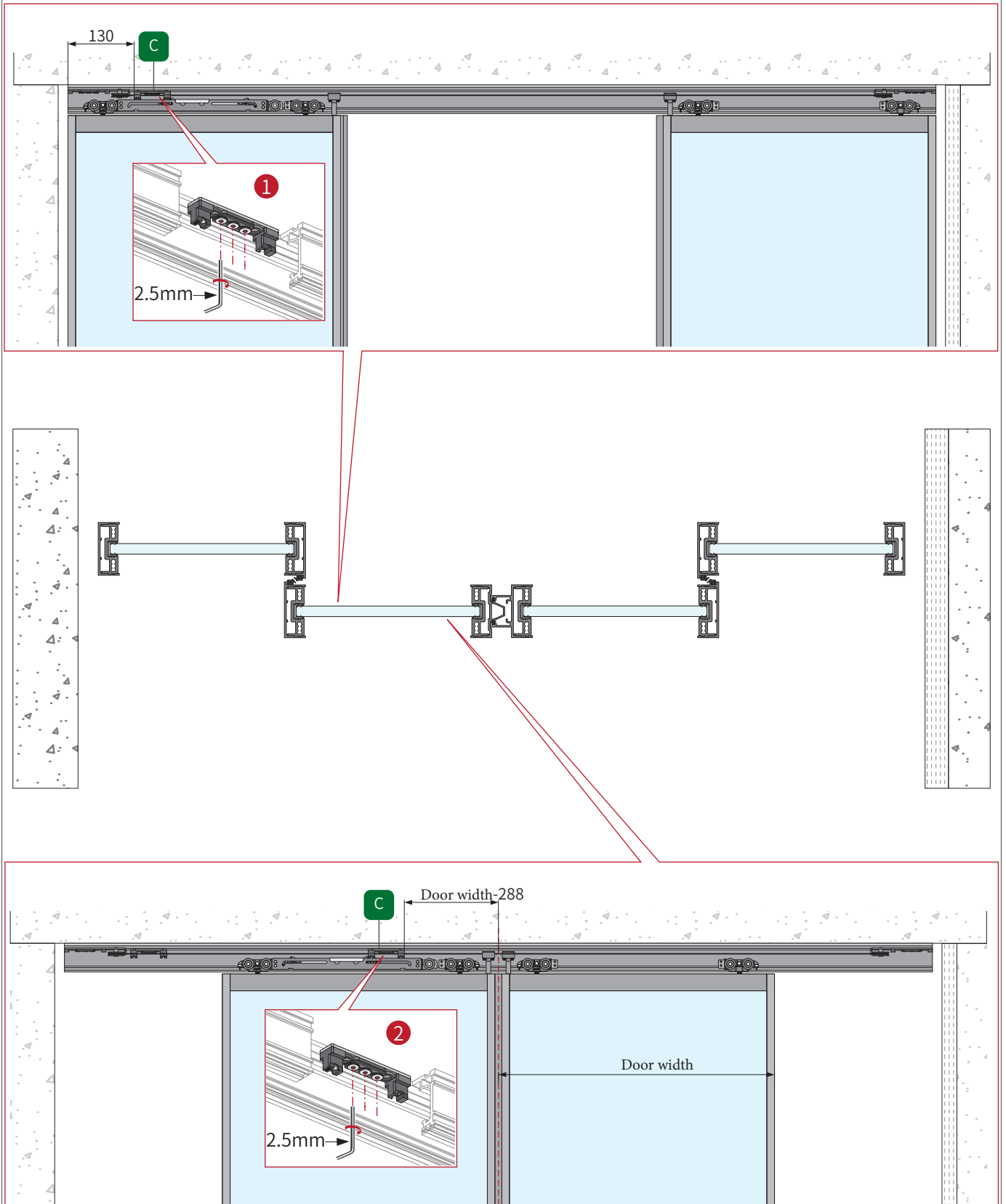
13 Install the connecting parts



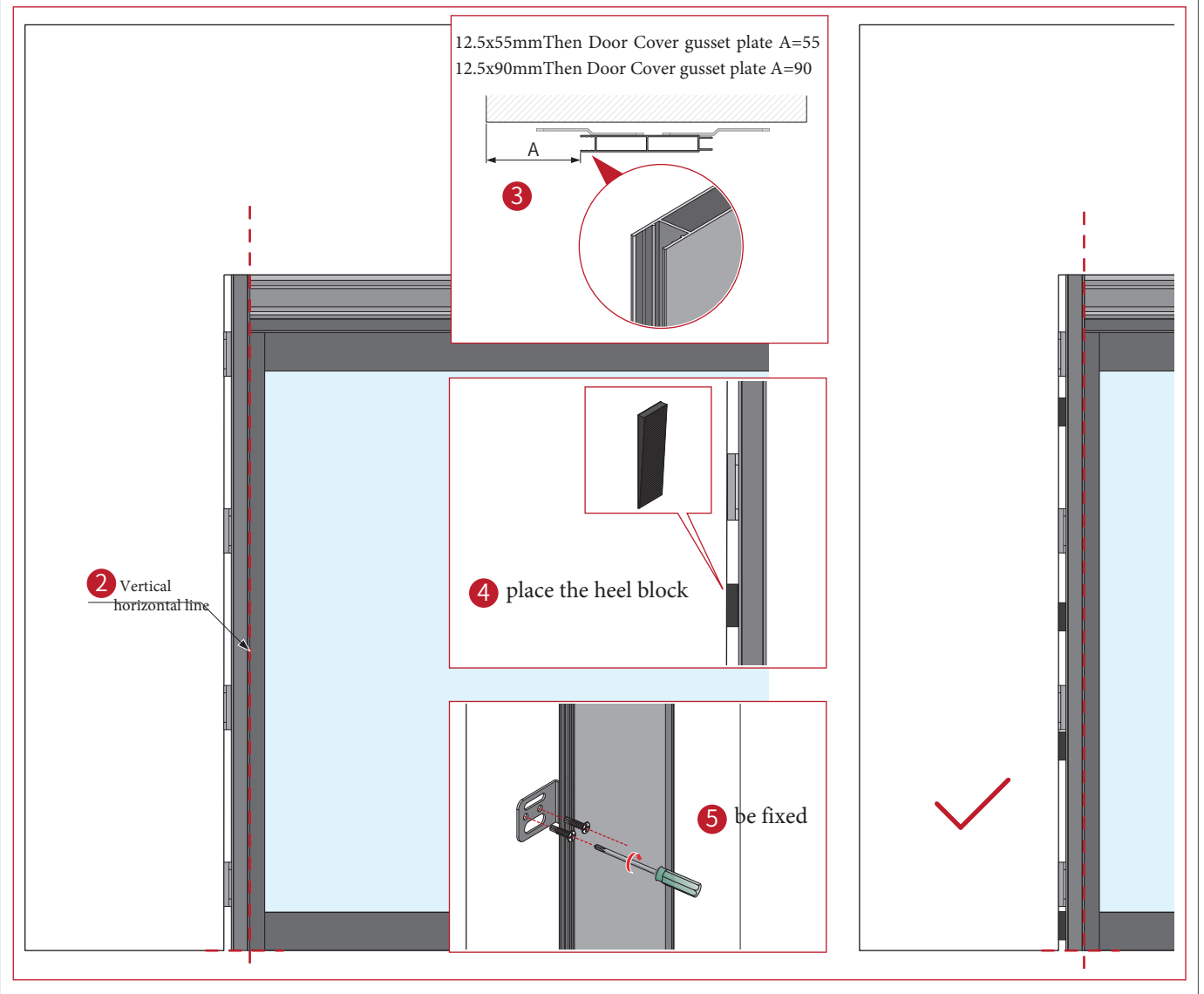
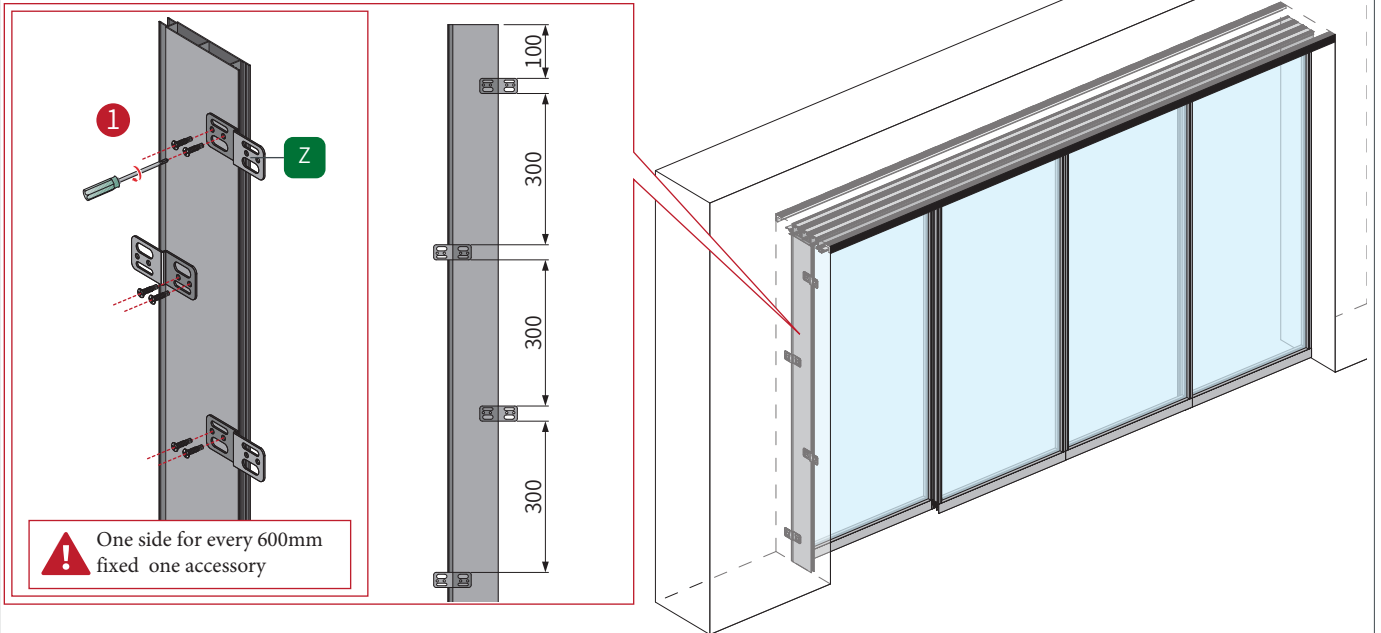
14 Install the door fan decorative door cover



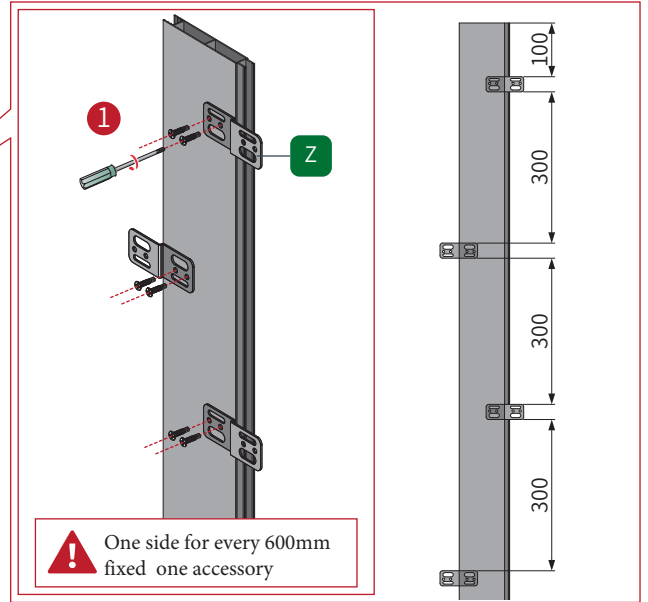
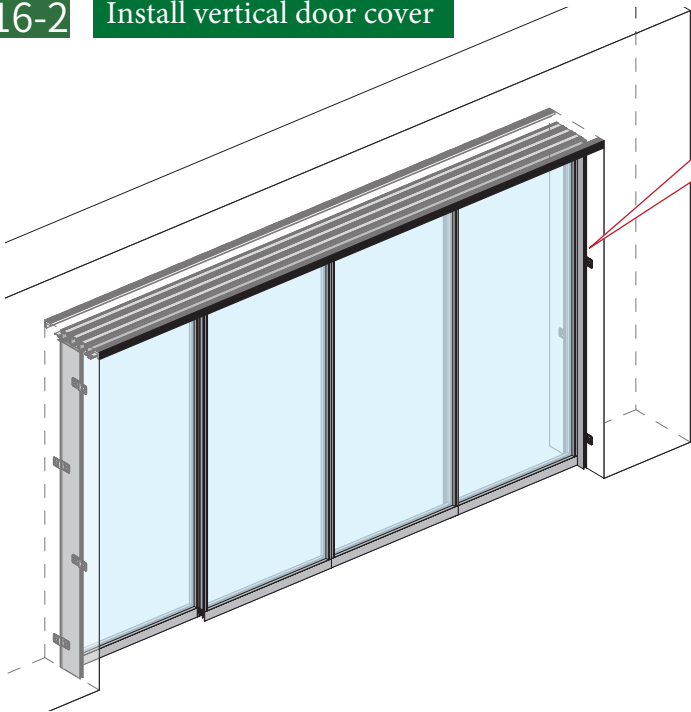
15 Locate the stopper



16-1 Install the vertical door cover

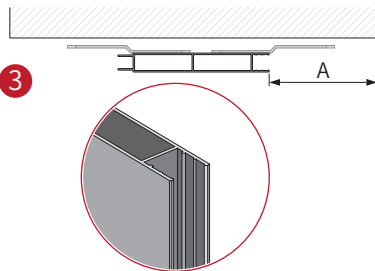


16-2 Install vertical door cover

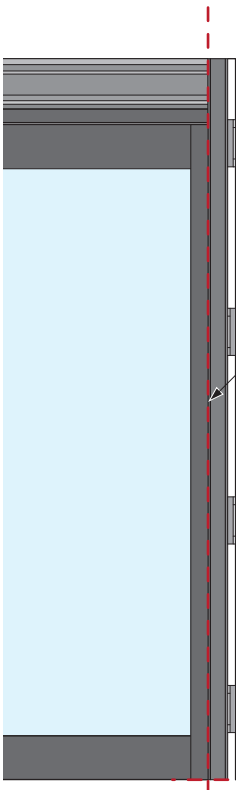


12.5x55mm Then Door Cover gusset plate A=55
12.5x90mm Then Door Cover gusset plate A=90

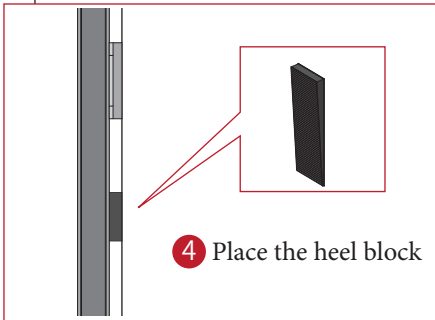
3



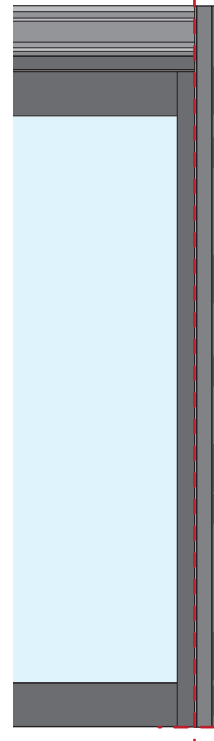
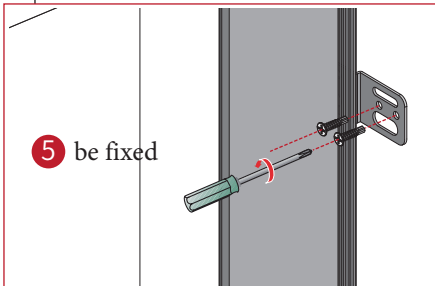
2 Make the door even



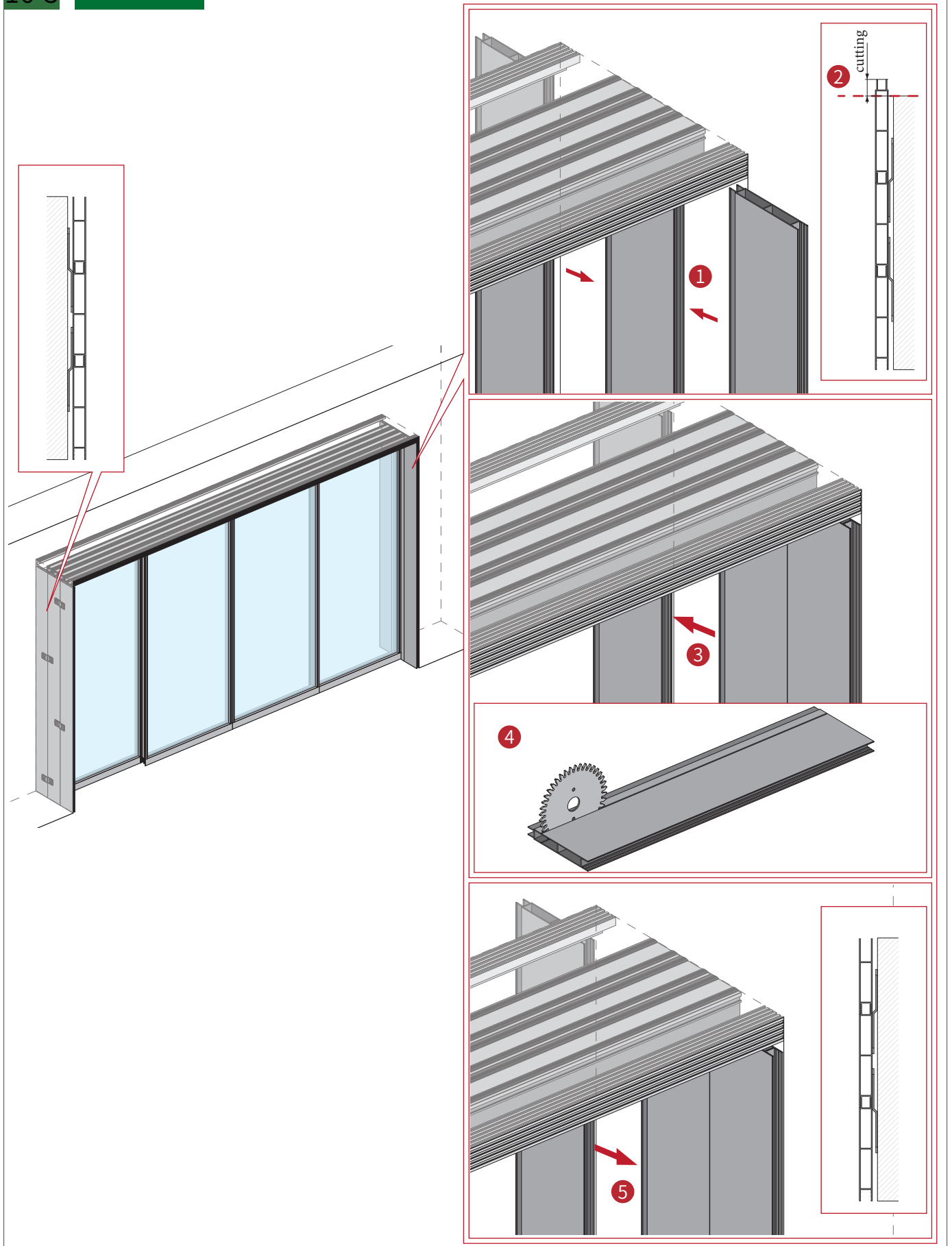
4 Place the heel block



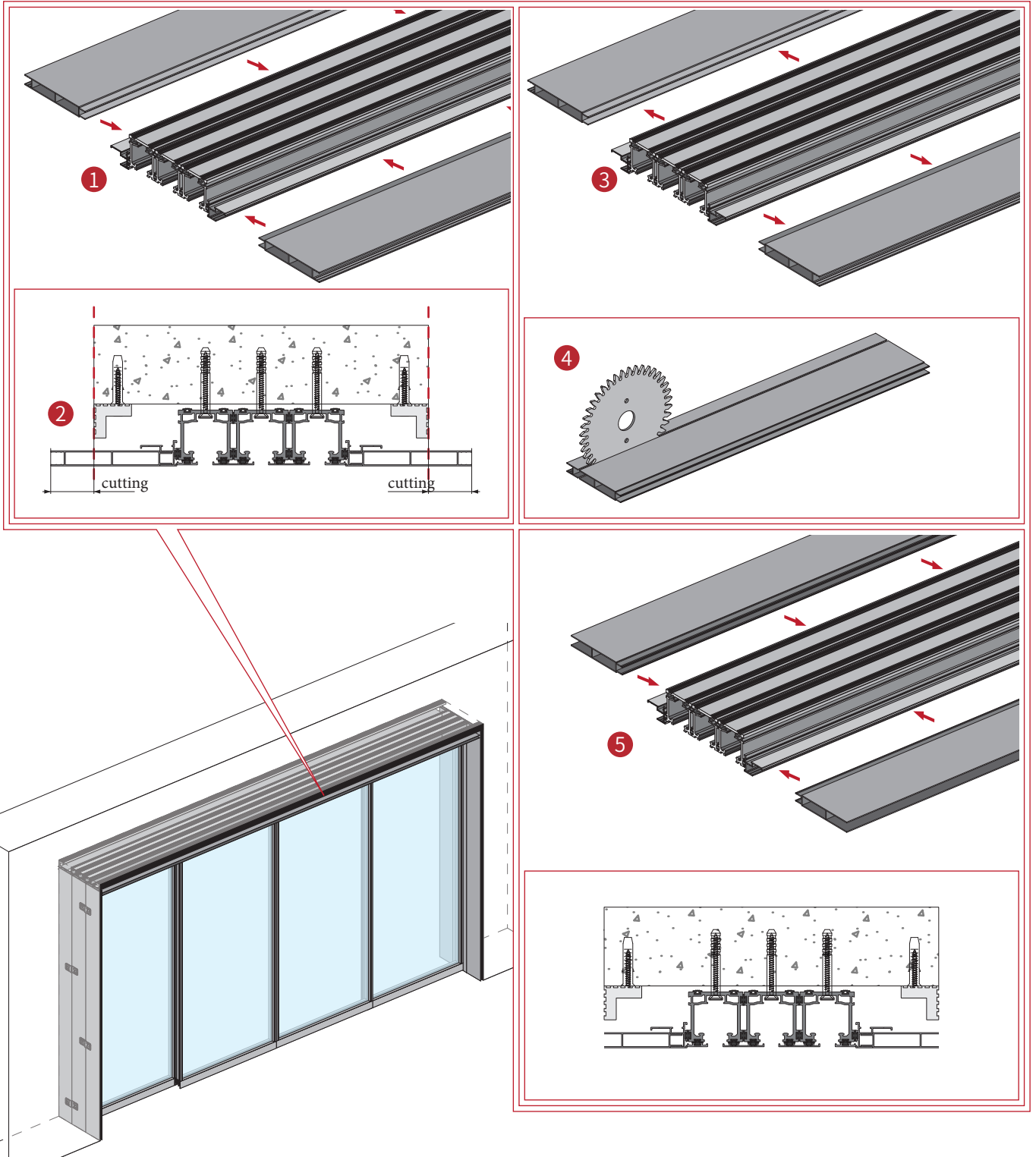
5 be fixed



16-3 Install vertical door cover

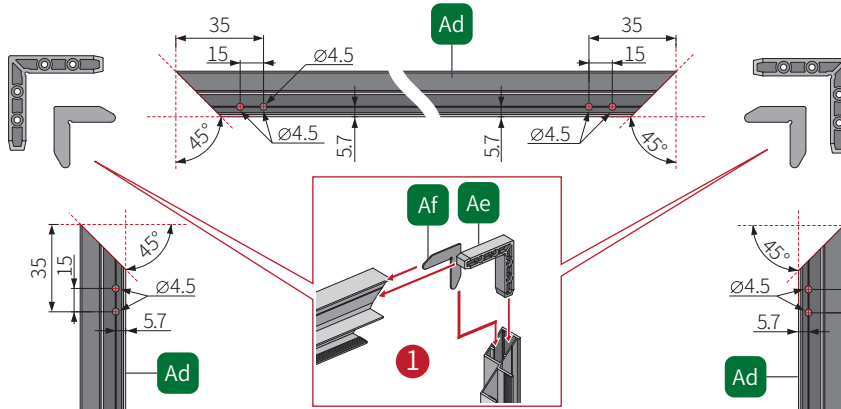


17 Install the horizontal door cover

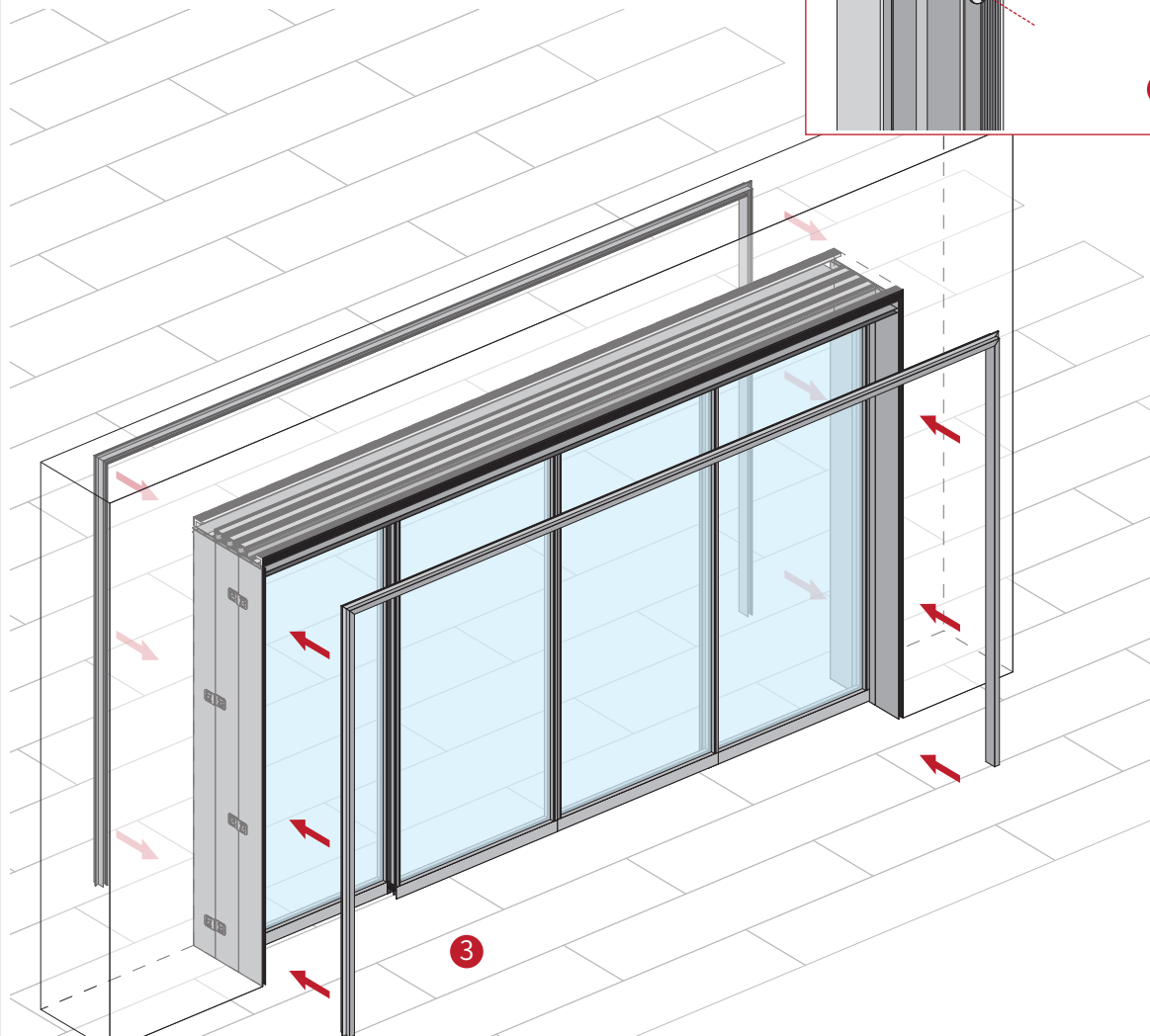
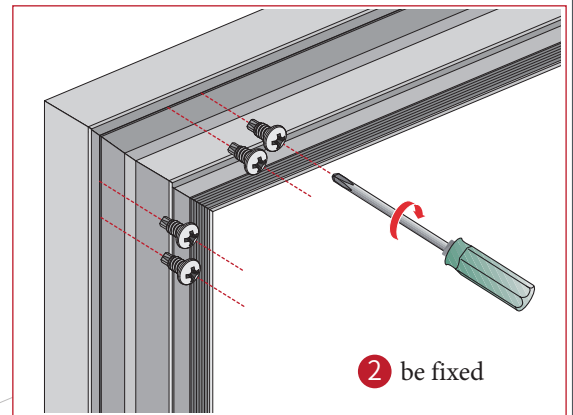
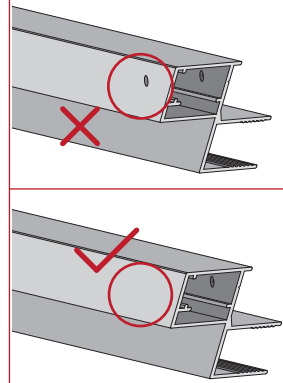


18 Install the flat plane door cover(outside)

Angle code shall be drilled on the back of the flat surface of the door cover (outside)



! Do not drill through the face of the outside door cover



Warm tips:
As the company's products will be upgraded from time to time, the product style, color, accessories and related parameters in this data are for reference only. If there is any change without prior notice, please refer to the material; All interpretation rights are reserved by the Company.