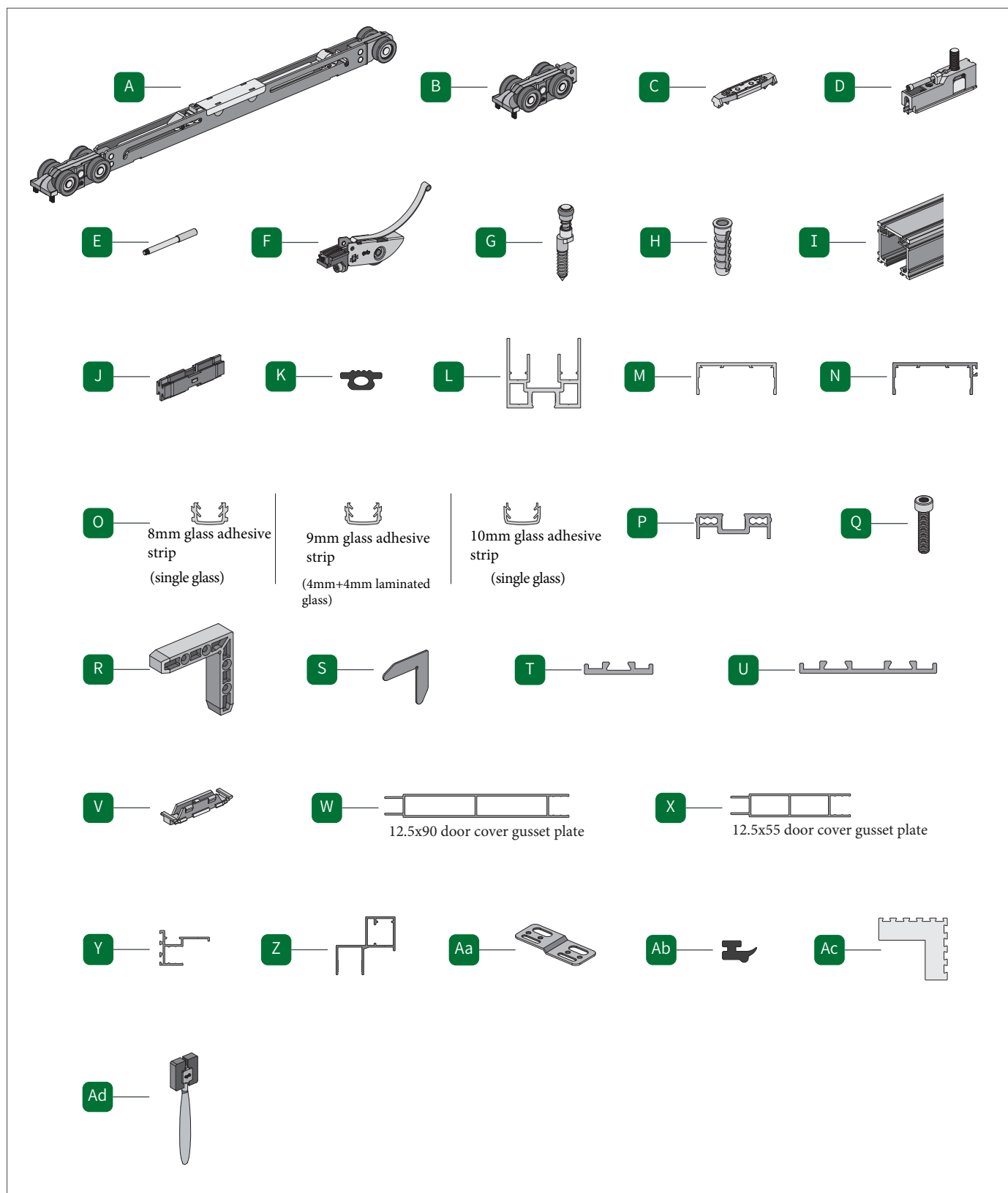
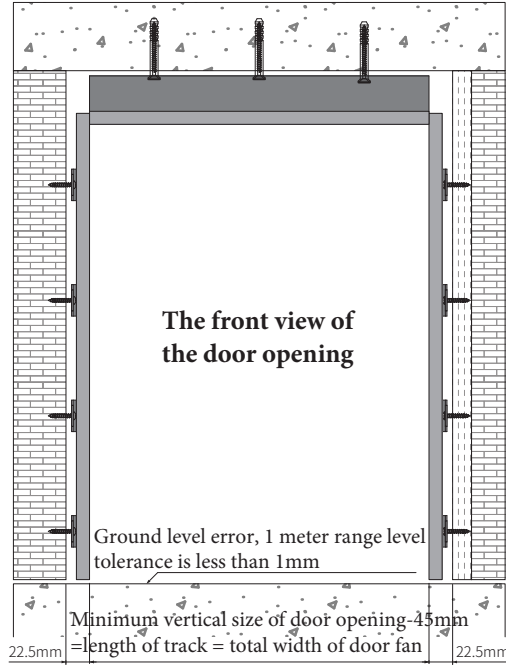
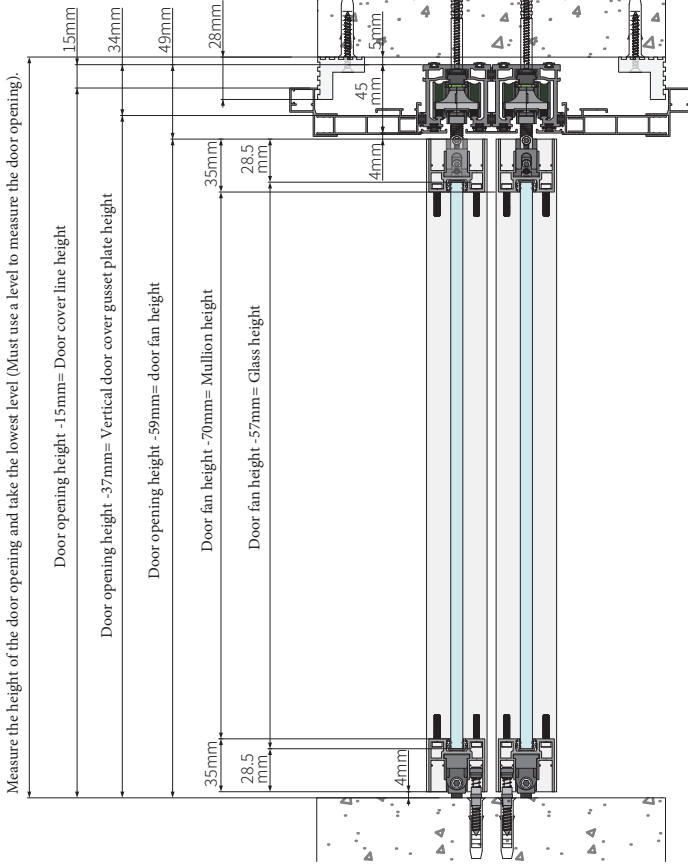


# opk® Perfect A01-G Hanging sliding roller in Medium damping - Installation Instructions

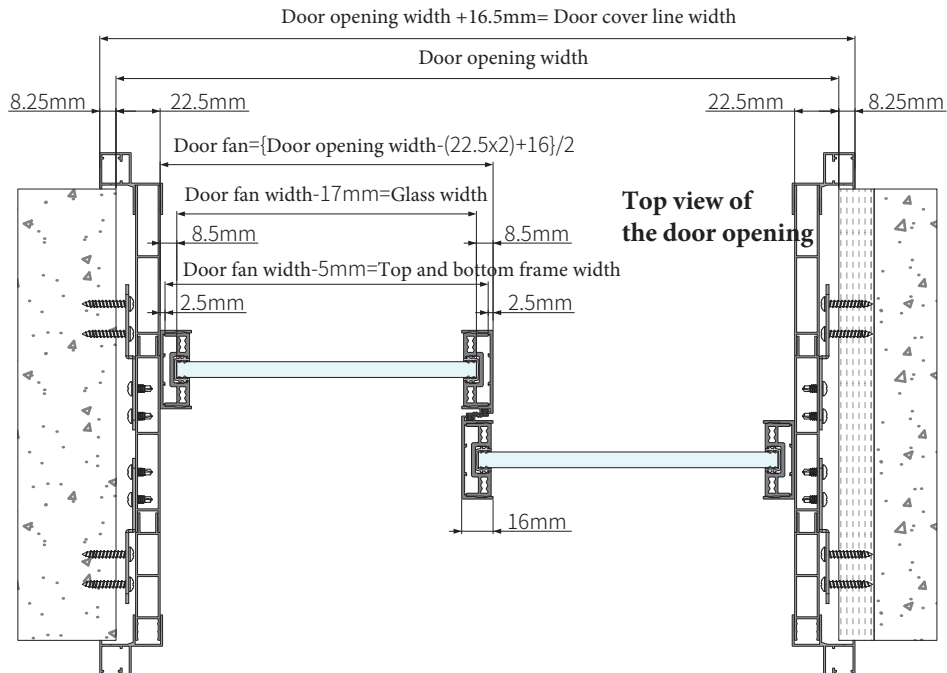


The wall thickness of the 40 system is greater than 155mm

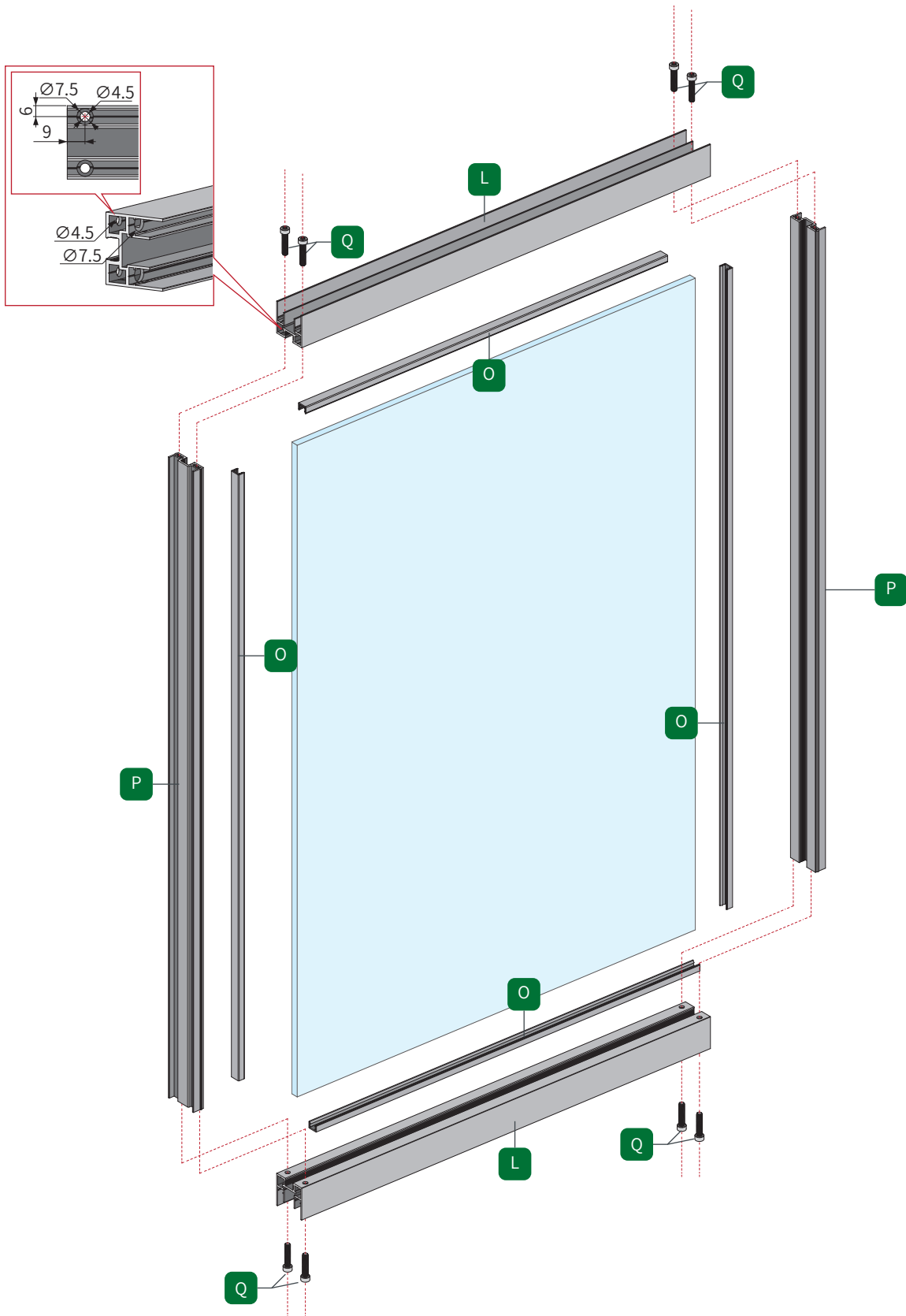
### Cross section of the door opening



Measure the total width of the door opening and take the Minimum vertical size (Must use a level to measure the door opening).

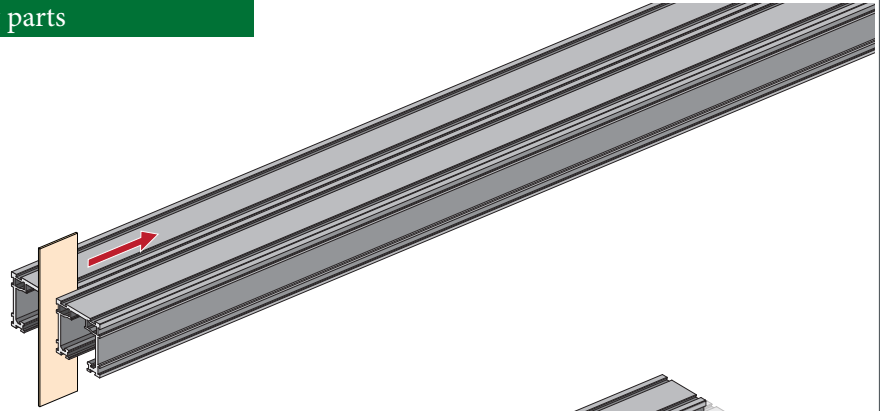
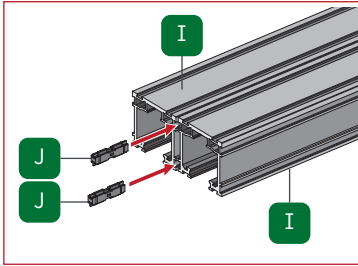


## Spliced door frame



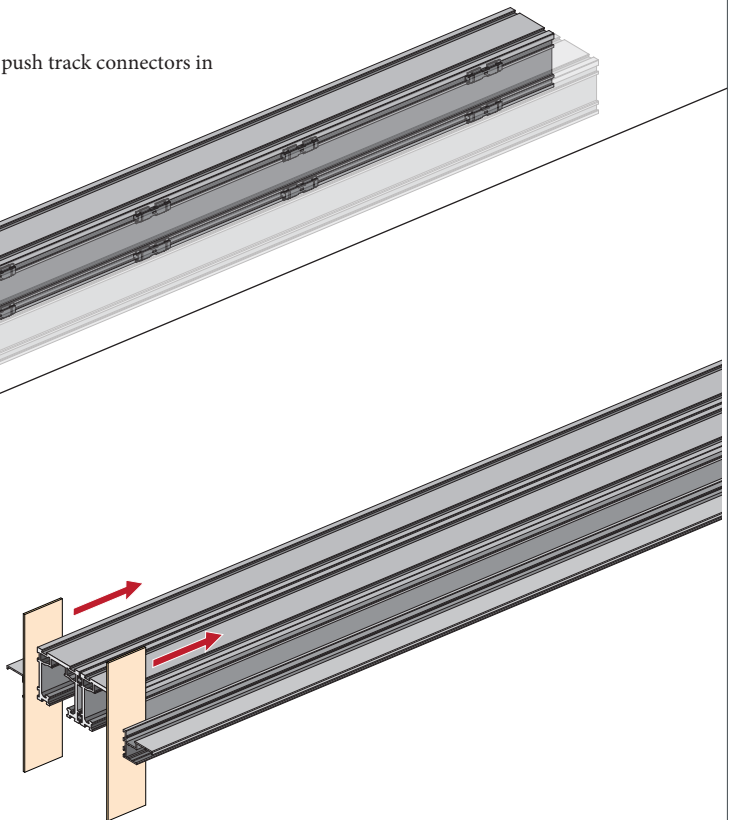
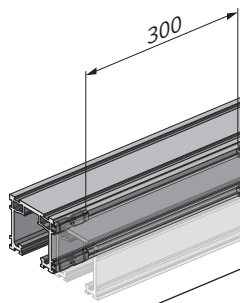
**2-1** Connect track profiles and fitting parts

**1** Insert the Tracks-connecting parts into the notch

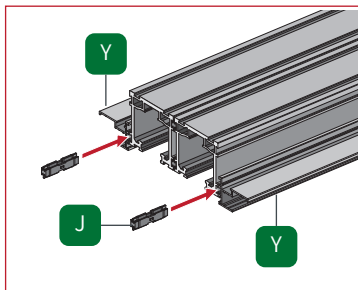


**2** Use thin sheets to push track connectors in

**!** Each interval is 300mm

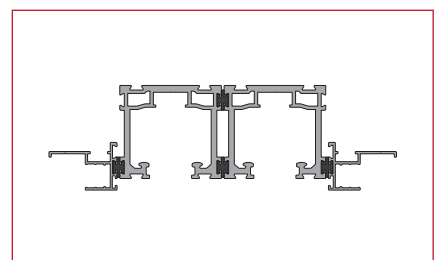
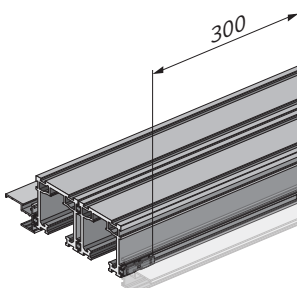


**3** Insert the Tracks-connecting parts into the notch

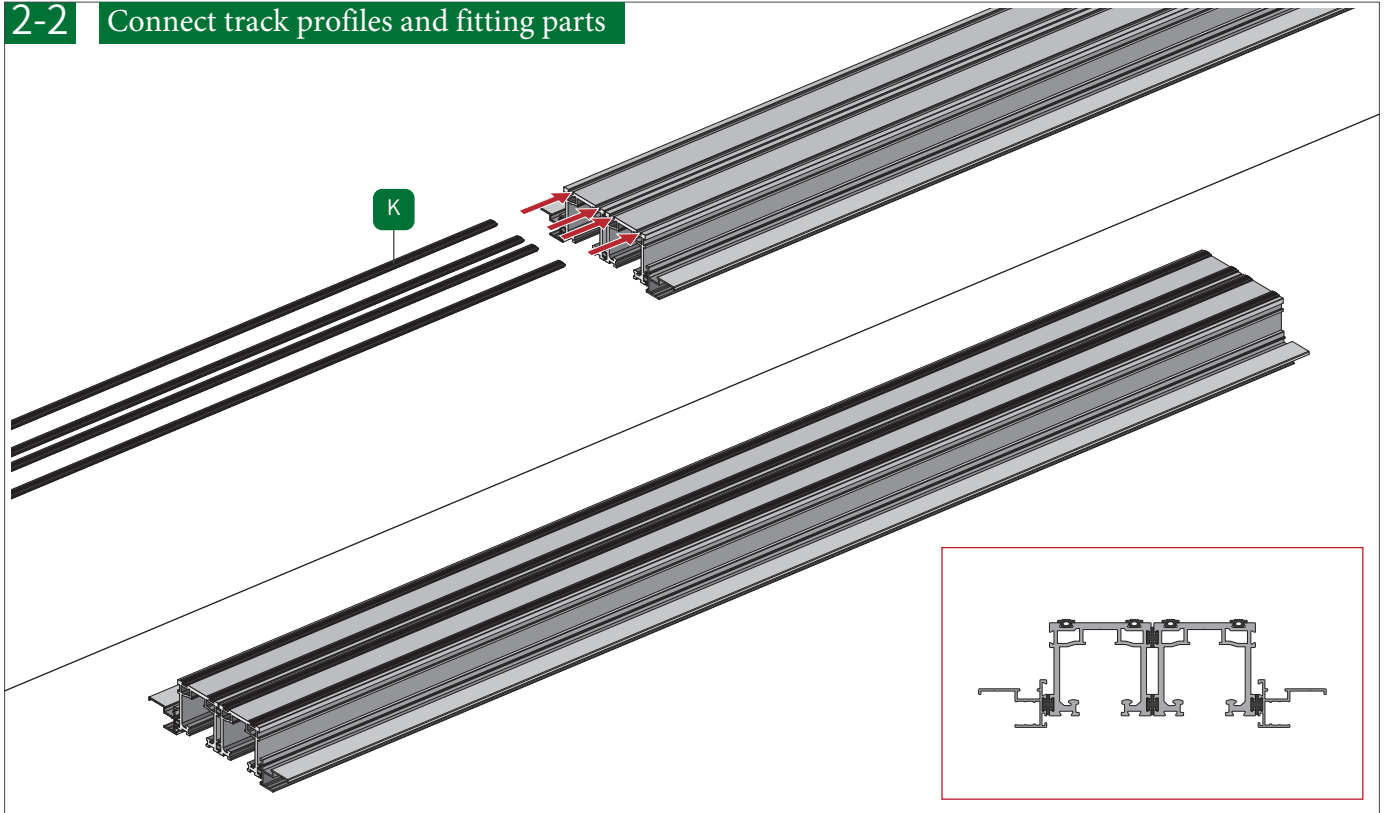


**4** Use thin sheets to push track connectors in

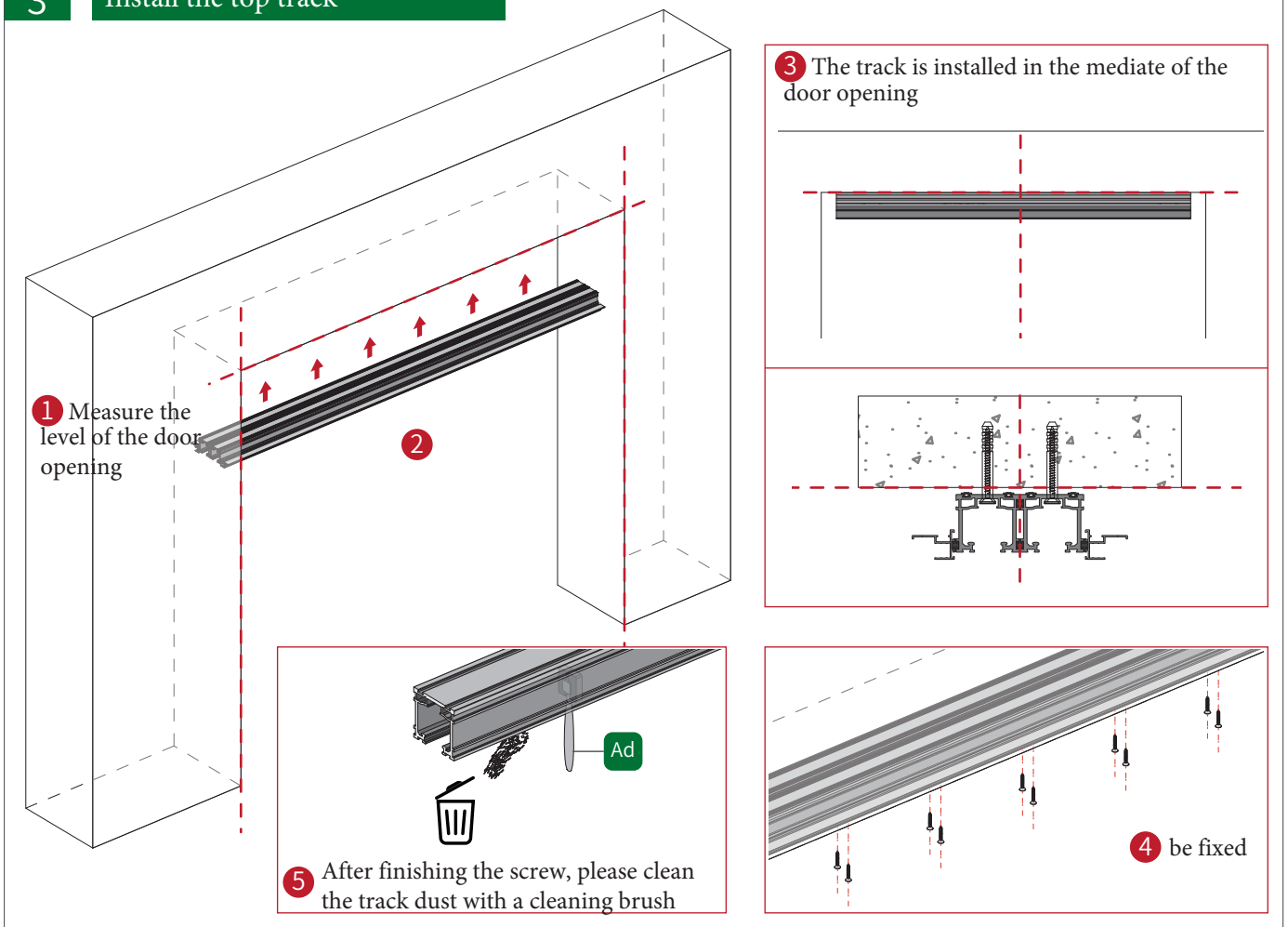
**!** Each interval is 300mm



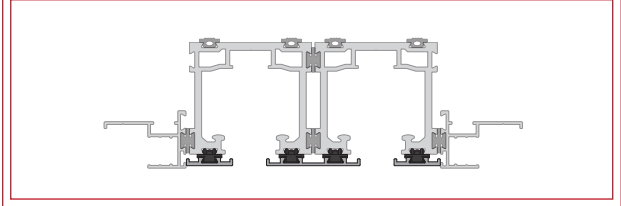
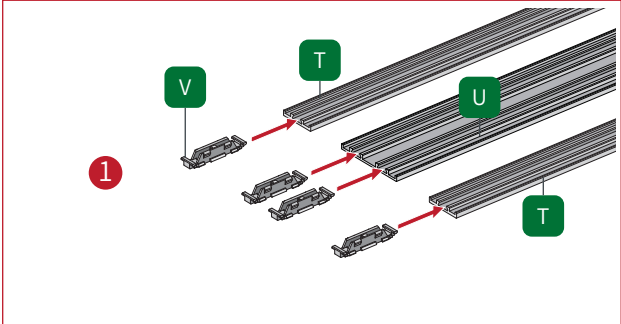
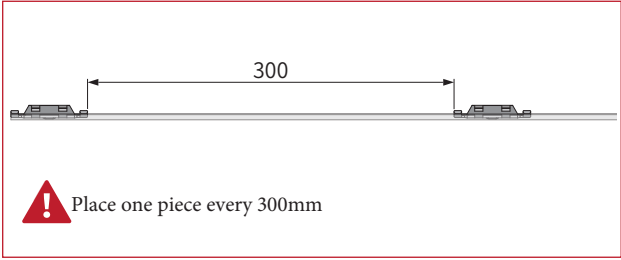
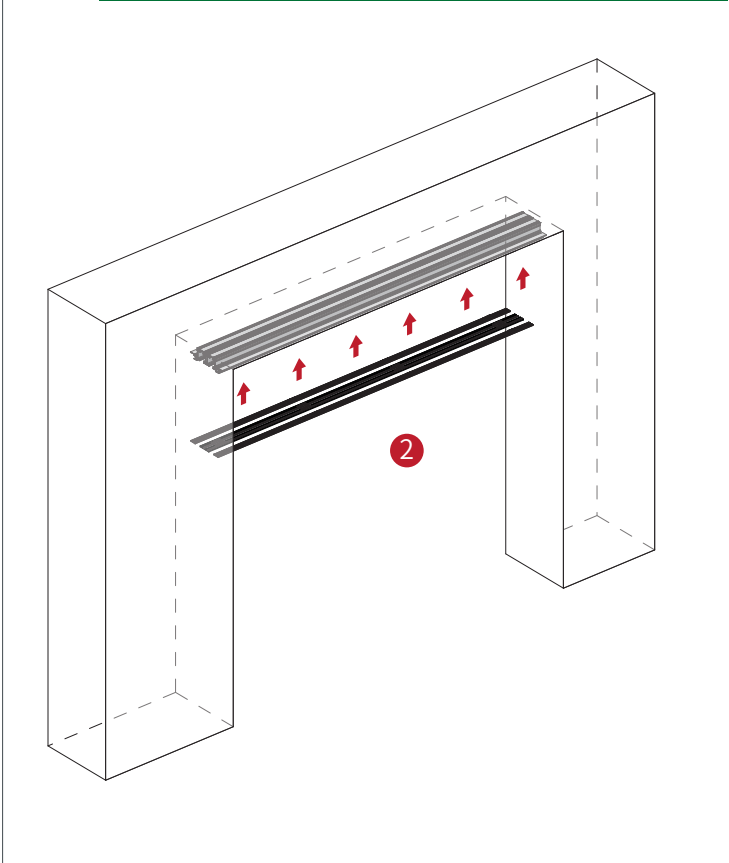
2-2 Connect track profiles and fitting parts



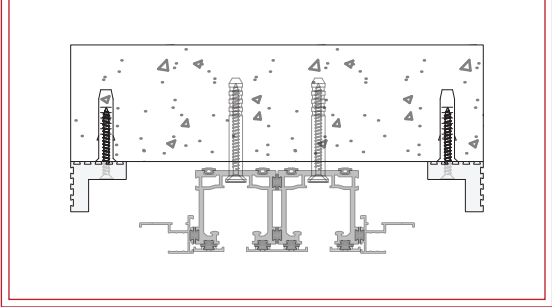
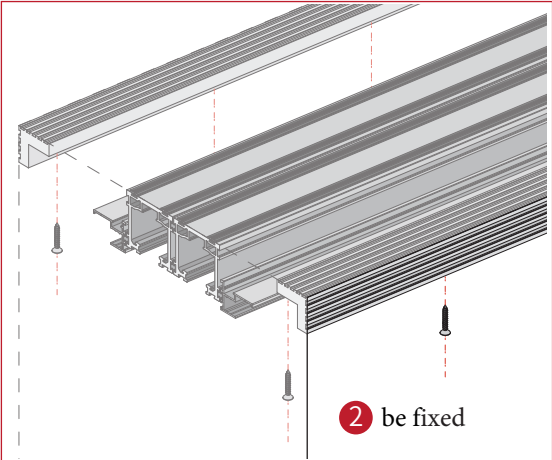
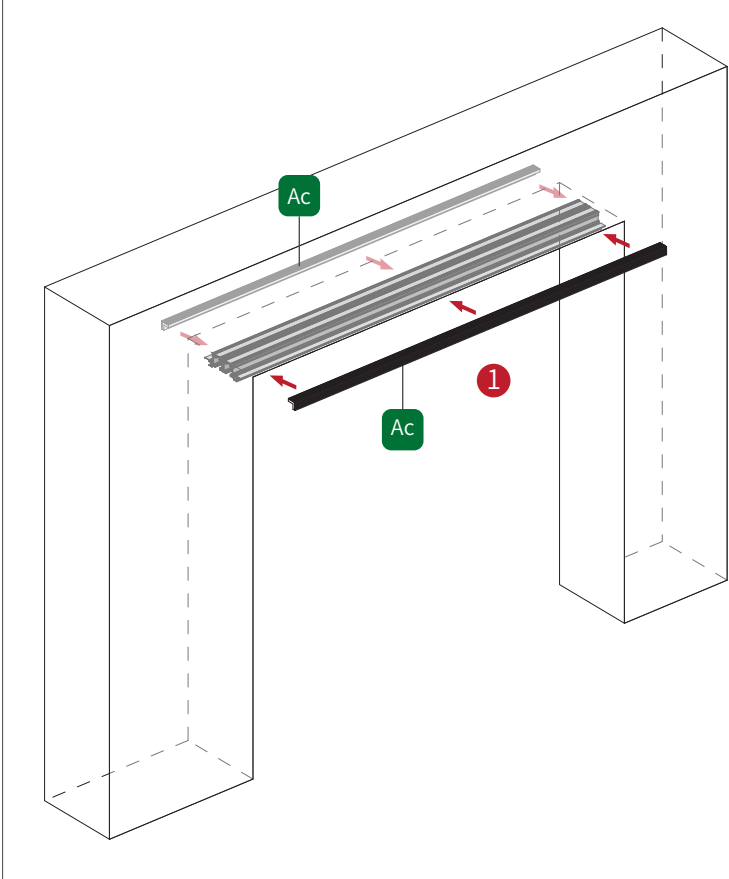
3 Install the top track



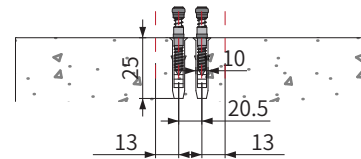
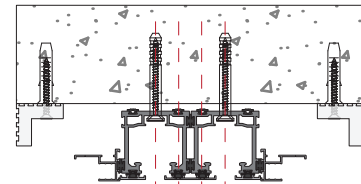
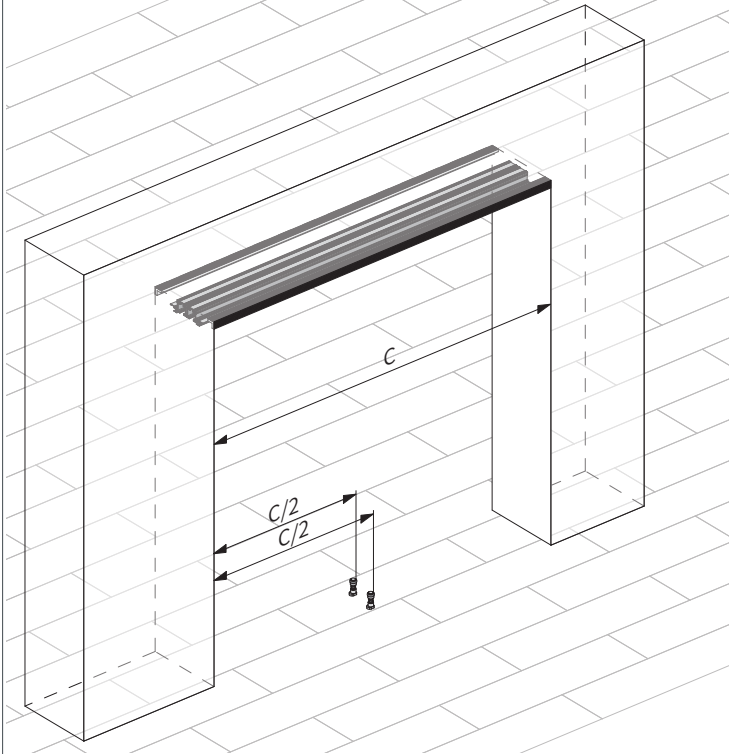
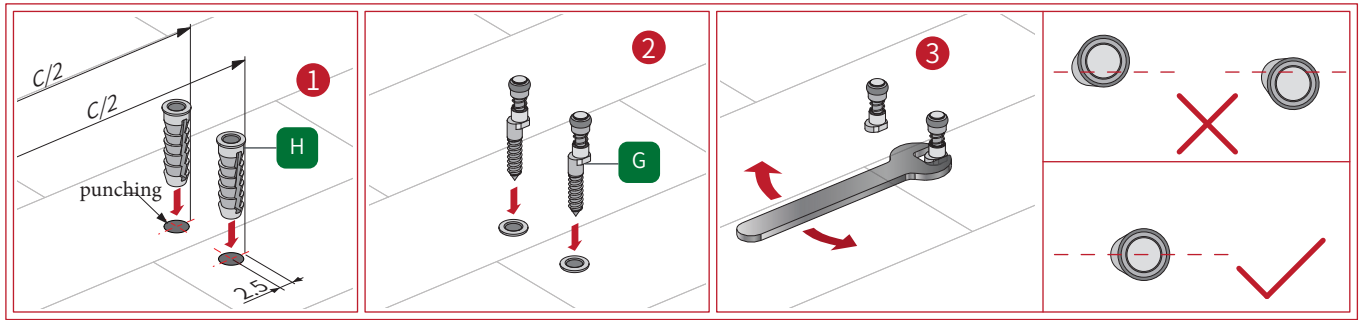
## 4 Install the decorative door cover of the top track



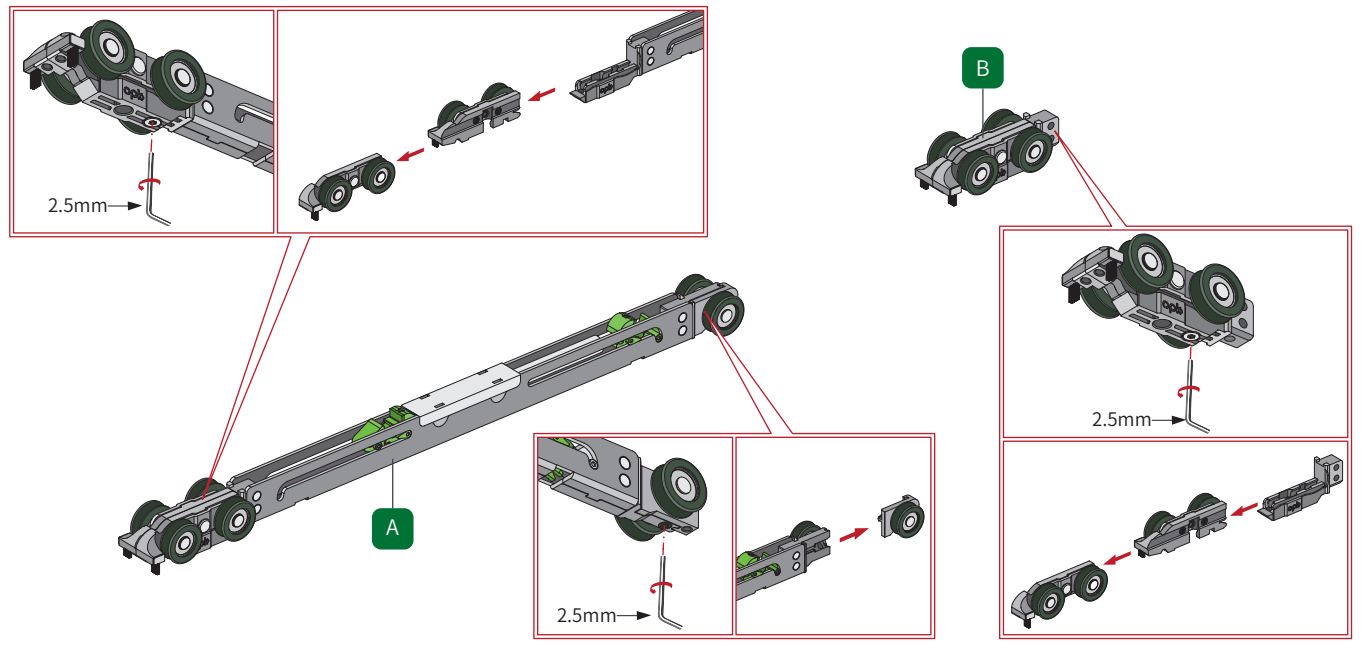
## 5 Install the closing L-bar



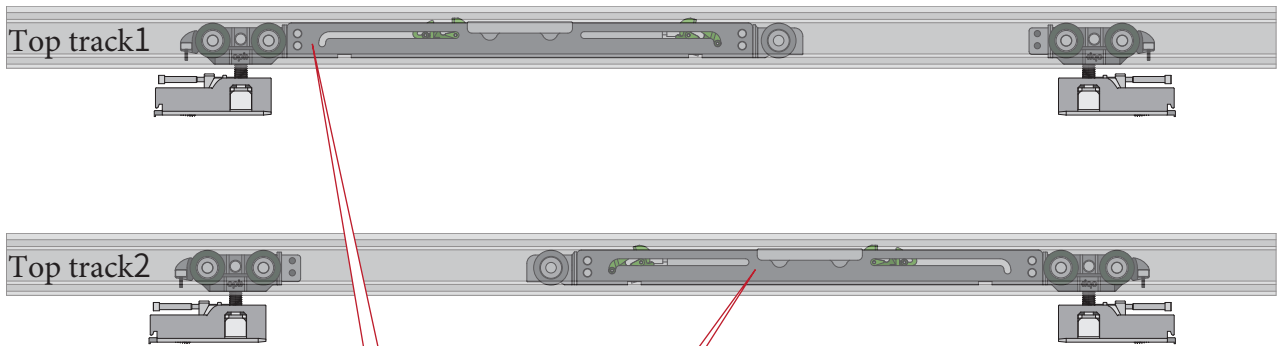
**6** Install the floor guide wheel



**7** Disassemble the top sliding roller



8-1 Disassemble the top sliding roller



1. Lifting the roller assembly from the track.

2. Removing the roller from the track.

3. Removing the roller from the track. Includes a sub-diagram showing correct (checkmark) and incorrect (cross) roller removal methods.

4. Removing the roller from the track. Includes a sub-diagram labeled "Flush plane" showing the roller's position relative to the track.

5. Removing the roller from the track.

6. Removing the roller from the track.

7. Removing the roller from the track.

8. Removing the roller from the track. Includes a sub-diagram showing a 2.5mm gap and a note: "This screw can be installed in place, without dead locking".

9. Removing the roller from the track.

10. Removing the roller from the track. Includes a sub-diagram showing the roller being pushed out.

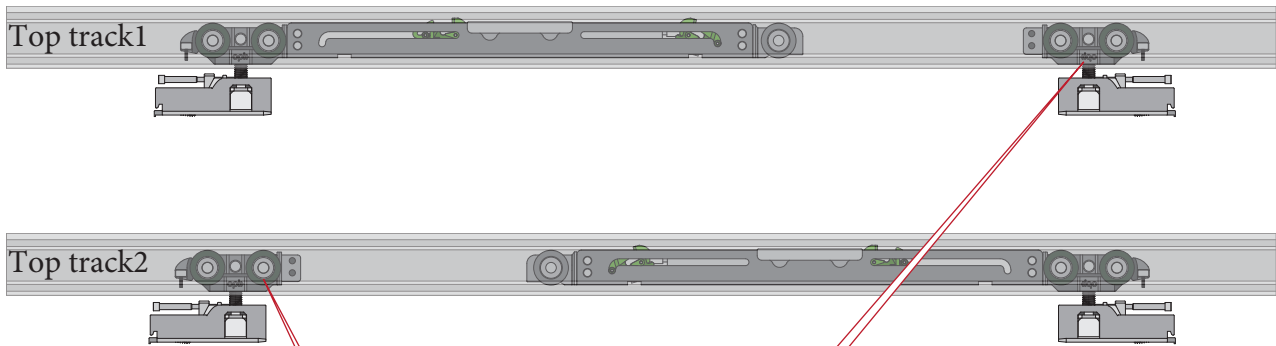
11. Removing the roller from the track.

12. Removing the roller from the track. Includes a sub-diagram showing a 2.5mm gap.

13. Removing the roller from the track.

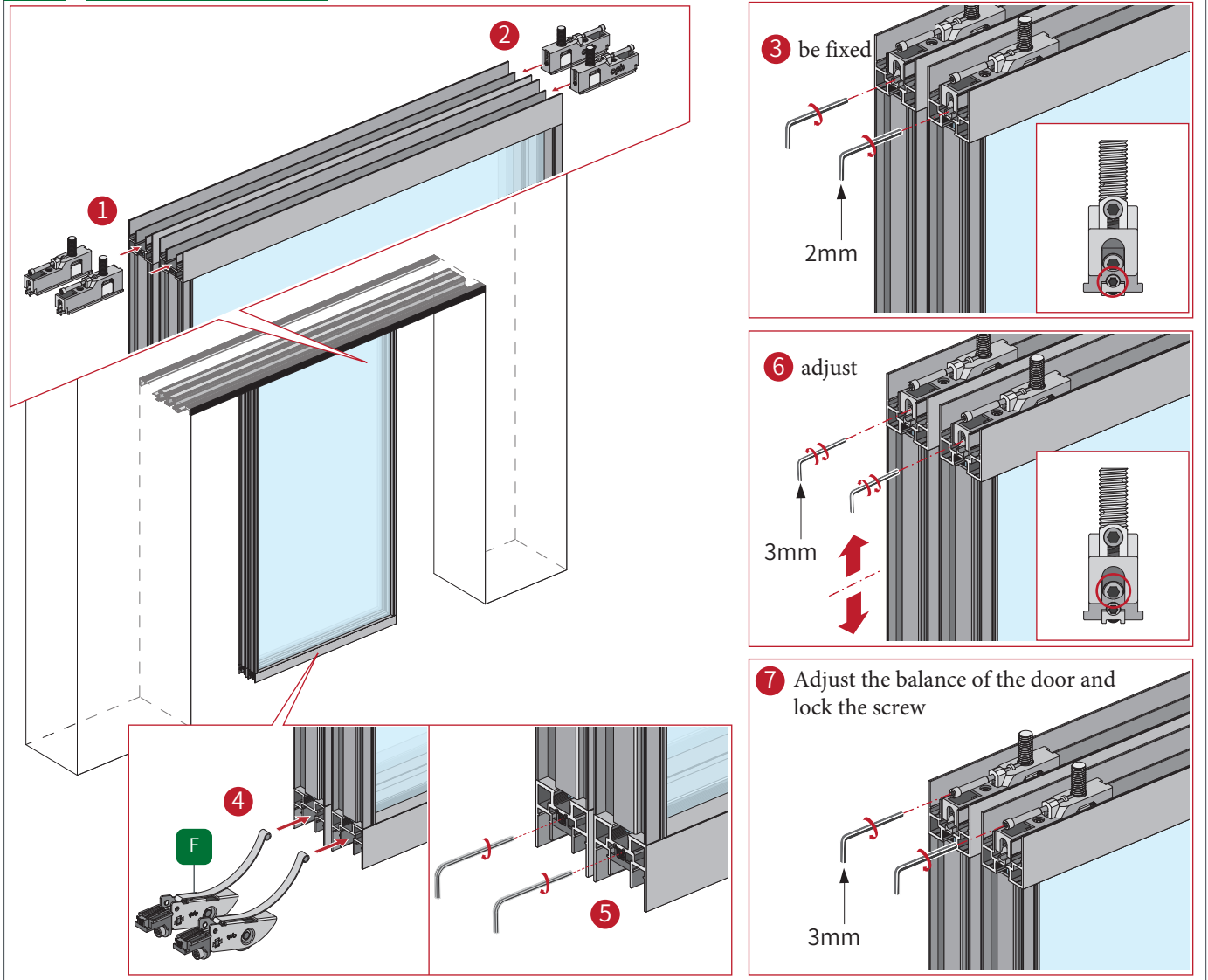


8-2 Disassemble the top sliding roller

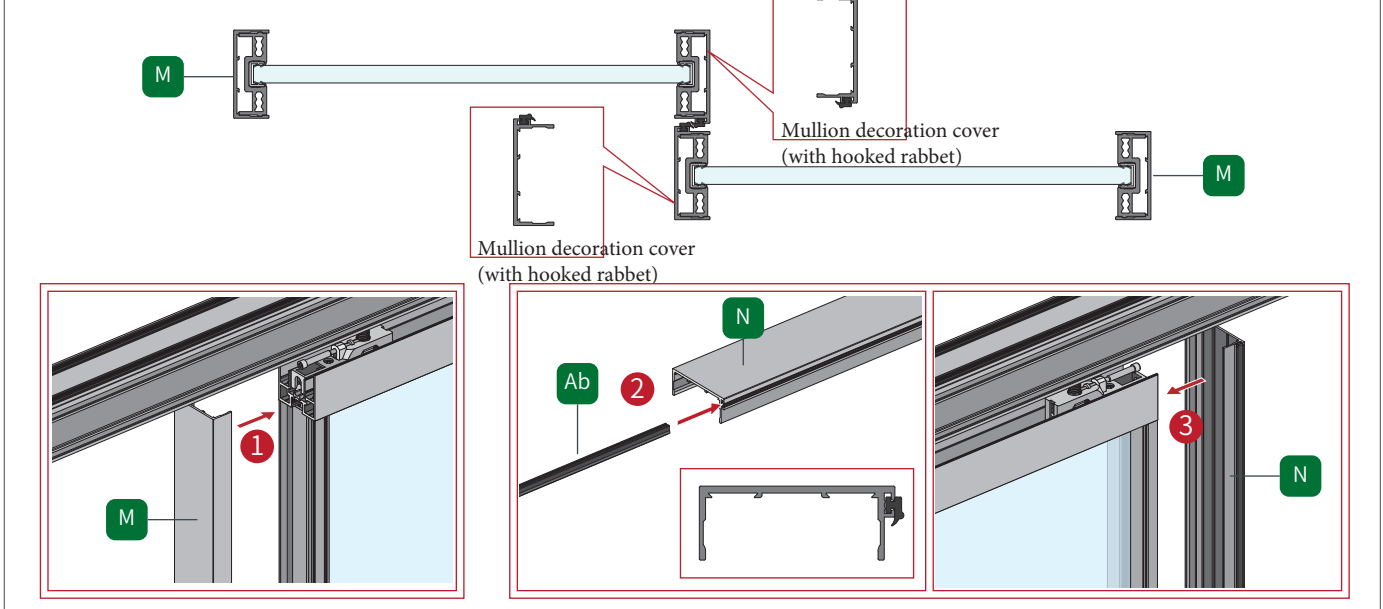


<p>1</p> <p>E</p>	<p>2</p> <p>E</p>	<p>3</p>
<p>4</p> <p>D</p> <p>It can't go above this plane</p>	<p>5</p>	<p>6</p> <p>7</p> <p>This screw can be installed in place, without dead locking</p>

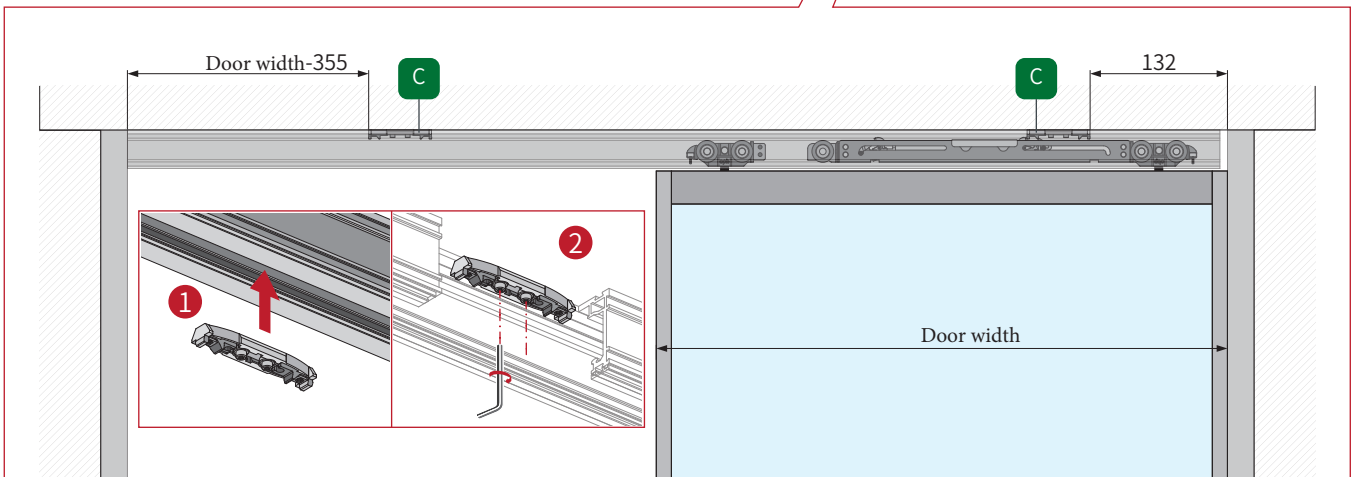
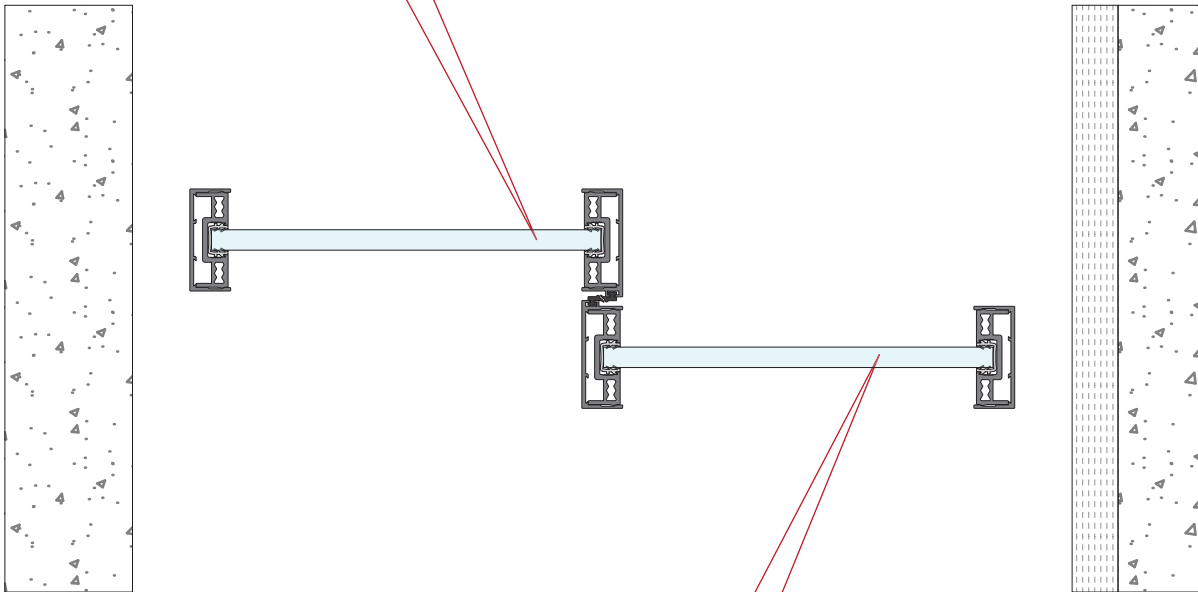
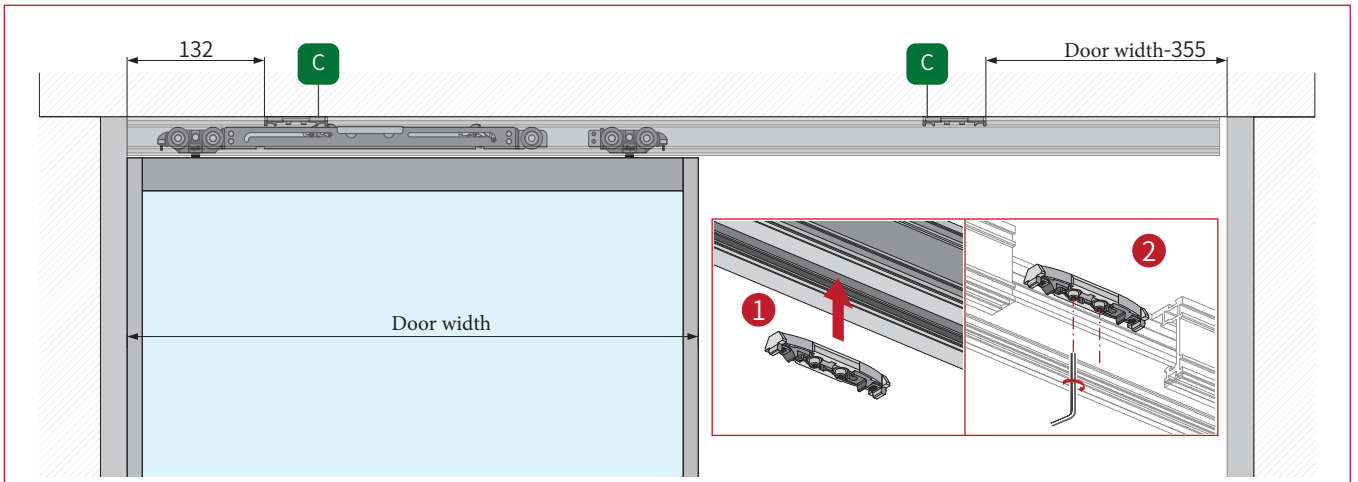
**9** Install the door fan



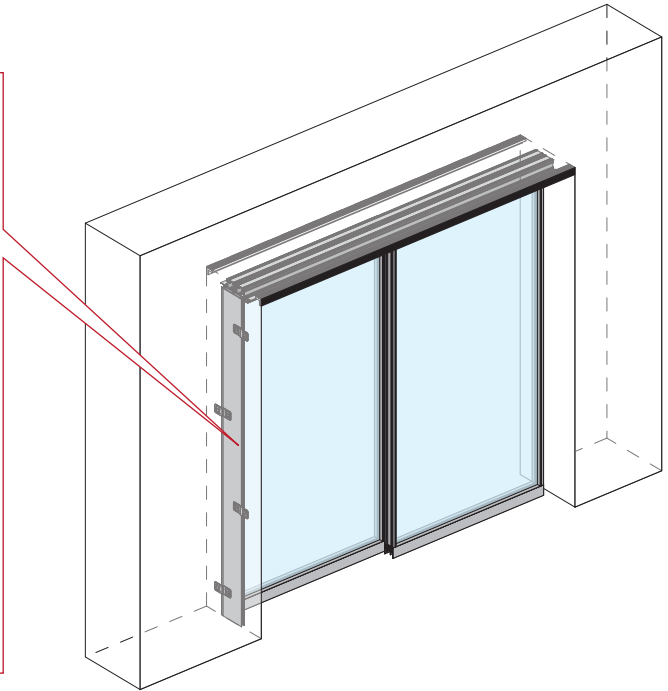
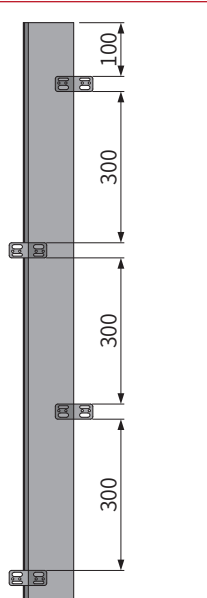
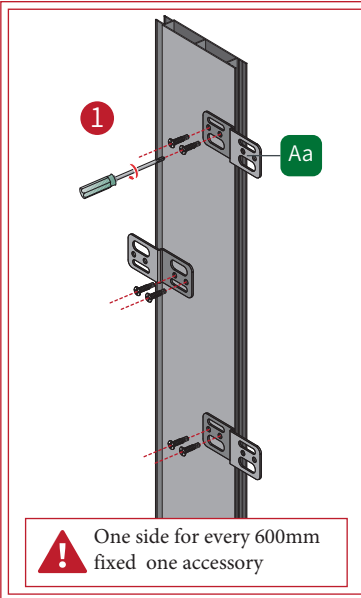
**10** Install the door trim cover



11 Install the Activator

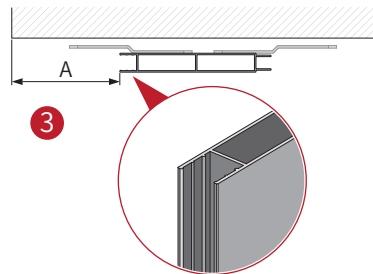


12-1 Install the vertical door cover



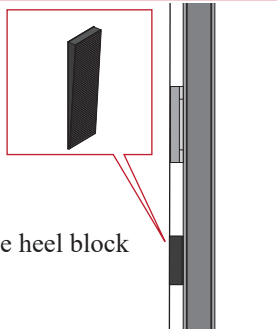
⚠ One side for every 600mm fixed one accessory

12.5x55mm Then Door Cover gusset plate A=55  
12.5x90mm Then Door Cover gusset plate A=90

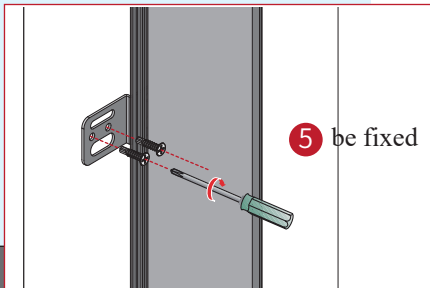


2 Vertical horizontal line

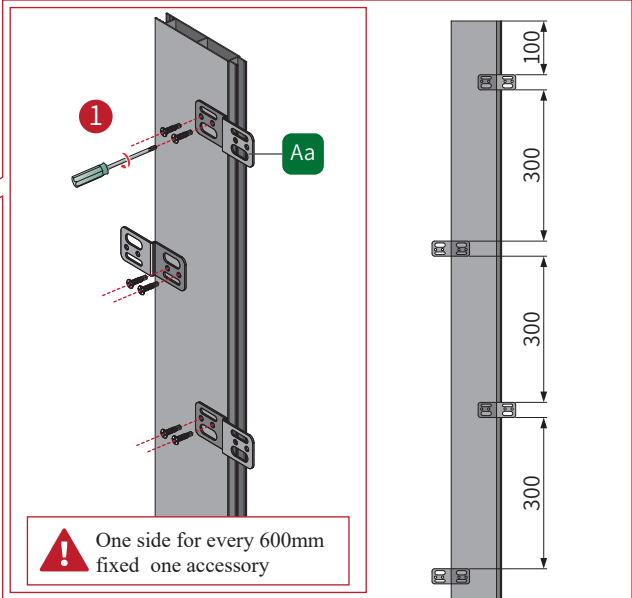
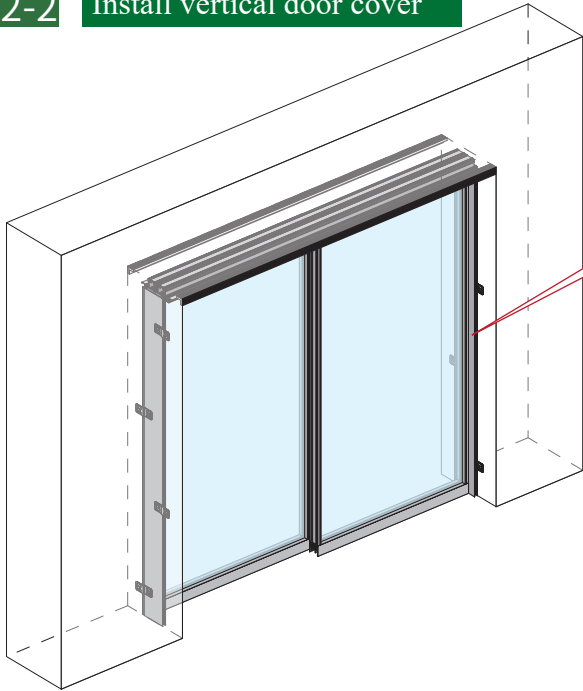
4 place the heel block



5 be fixed

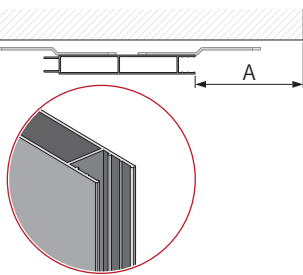


12-2 Install vertical door cover

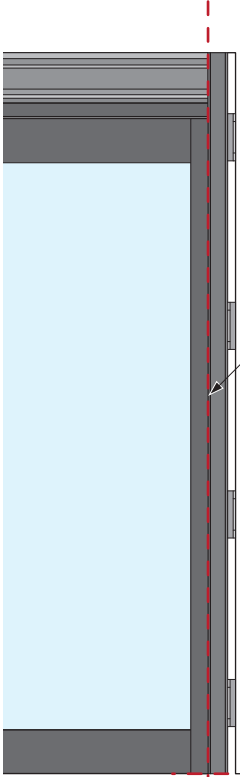


12.5x55mmThen Door Cover gusset plate A=55  
12.5x90mmThen Door Cover gusset plate A=90

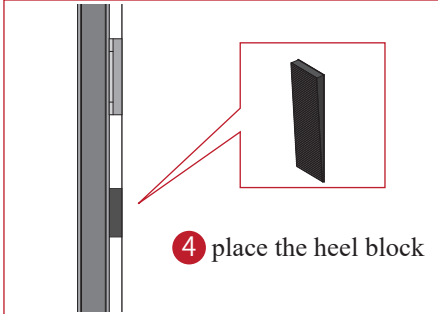
3



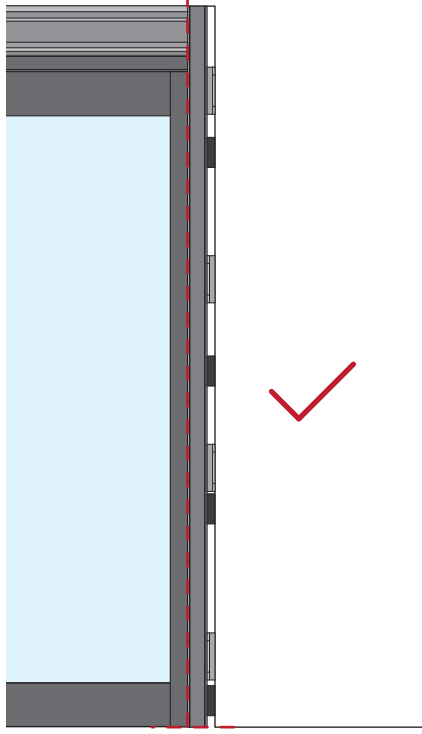
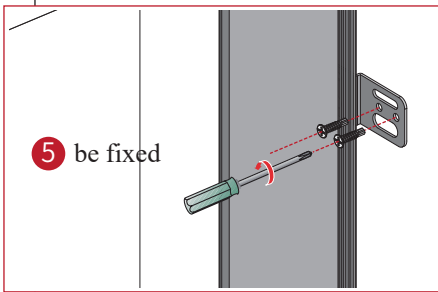
2 Make the door even



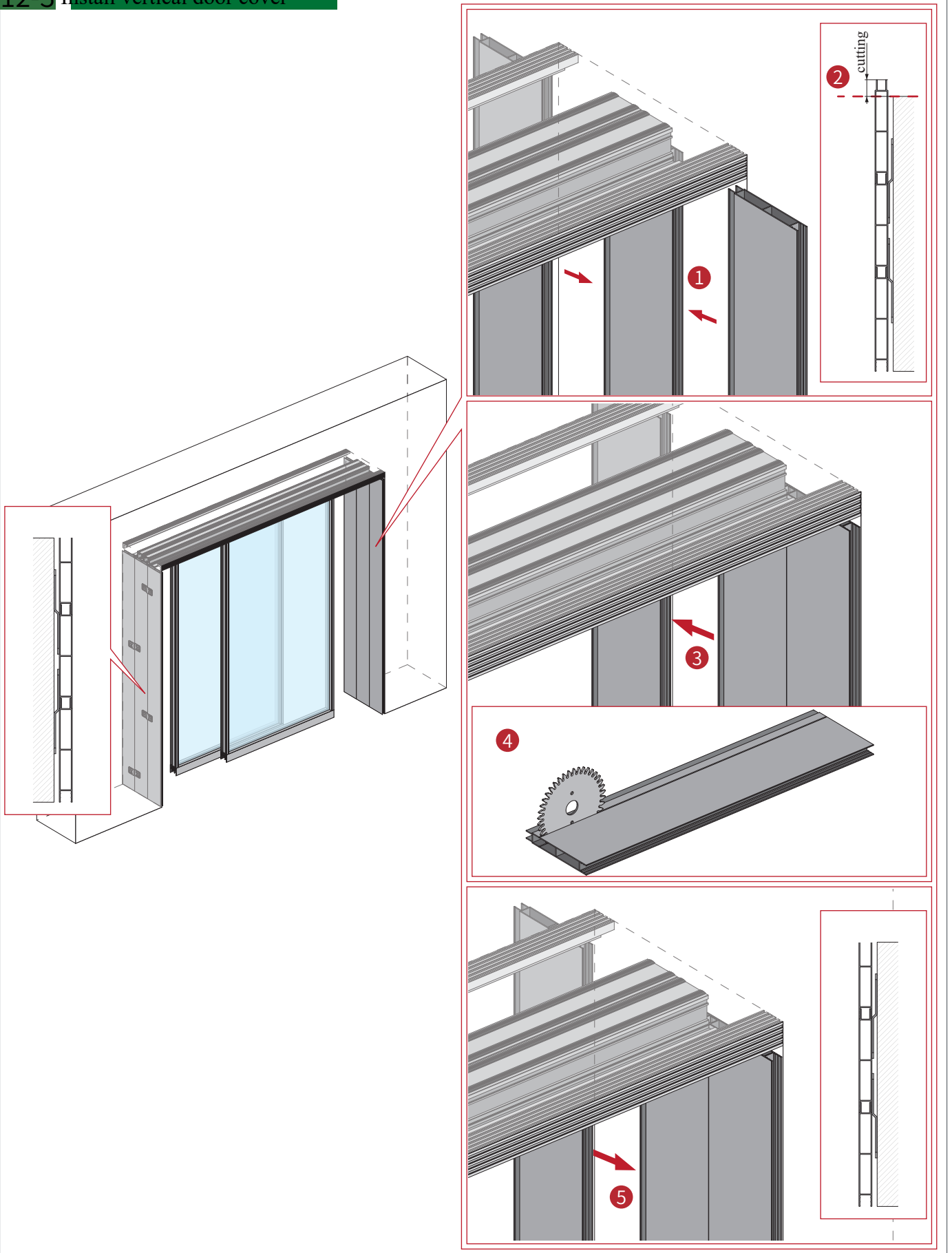
4 place the heel block



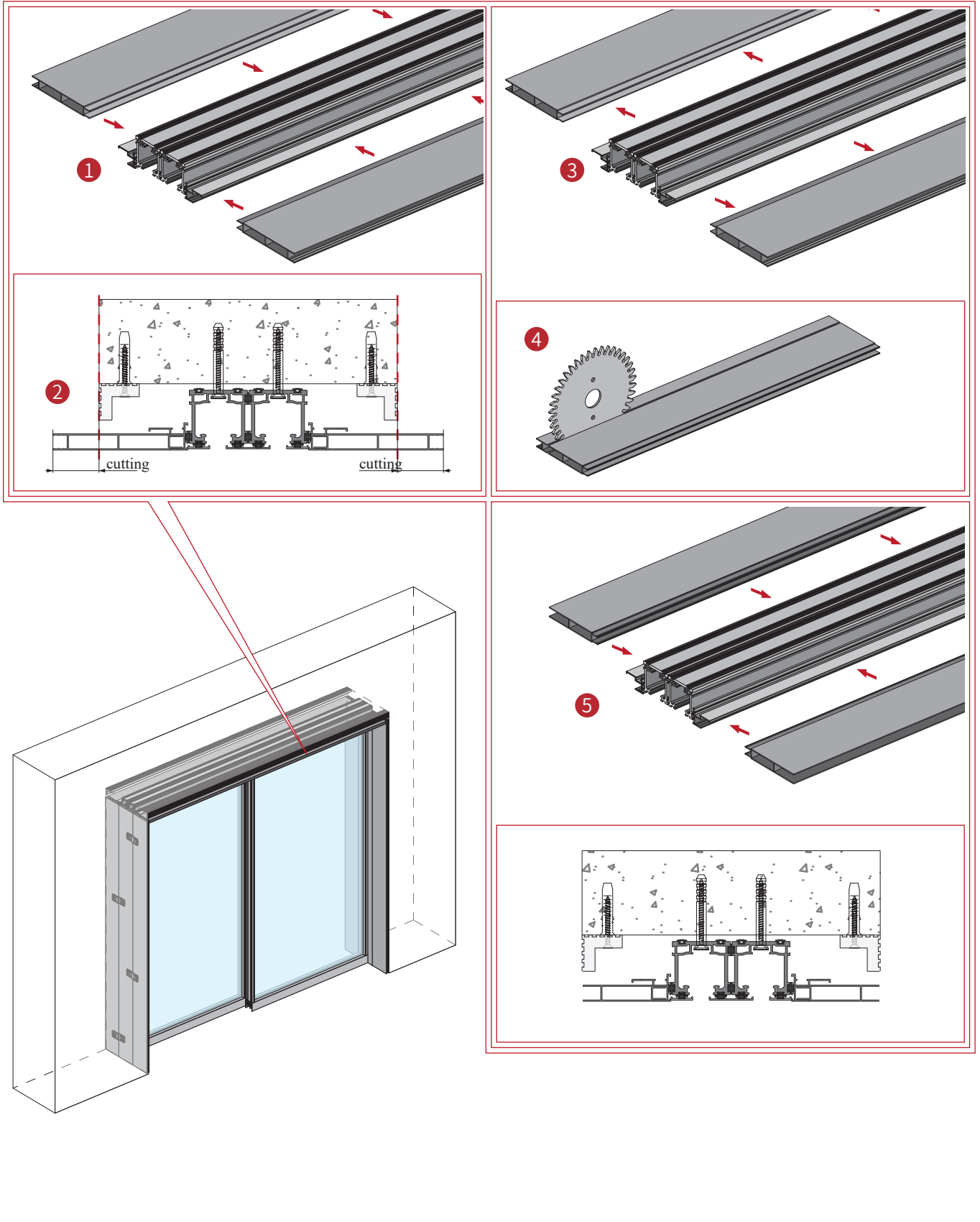
5 be fixed



12-3 Install vertical door cover



13 Install the horizontal door cover



14 Install the flat plane door cover(outside)

