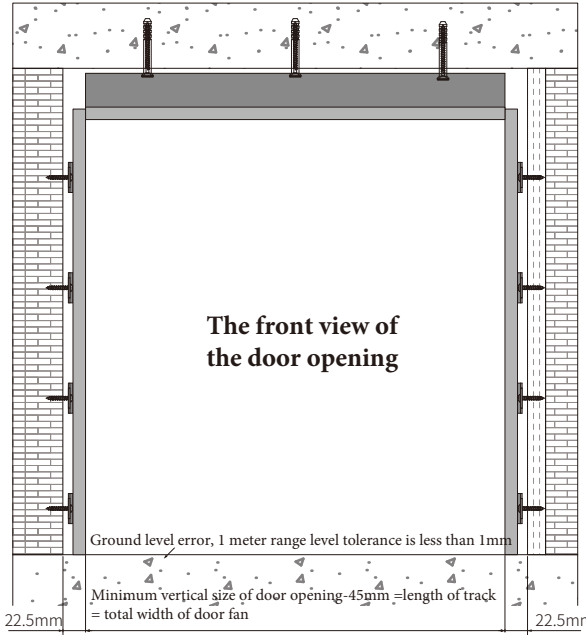
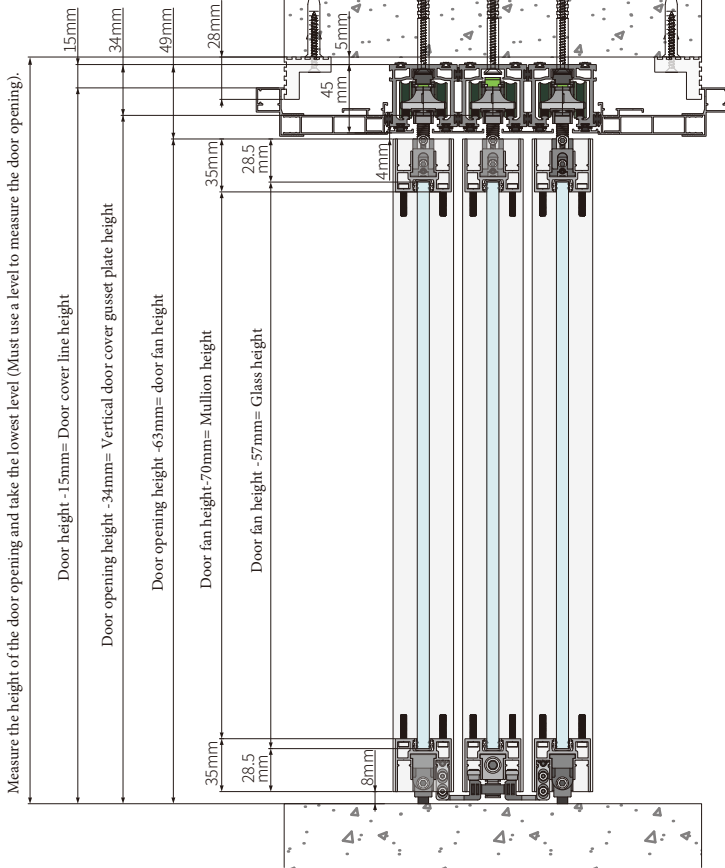


Cross section of the door opening

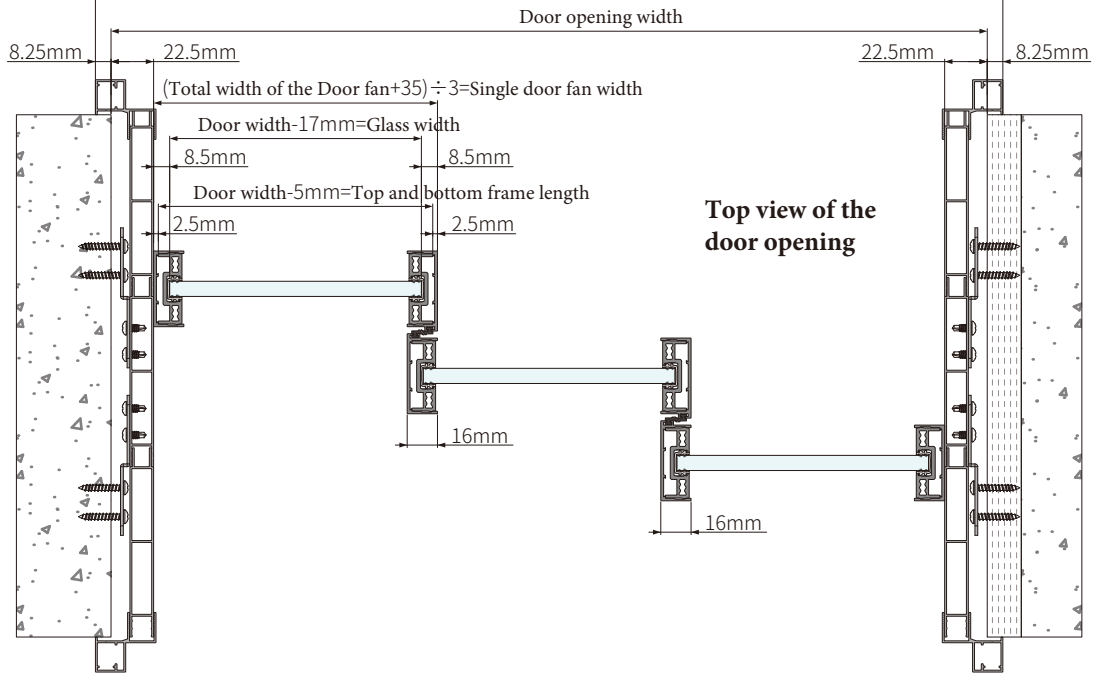
The wall thickness of the 40 system is greater than 200mm



The front view of the door opening

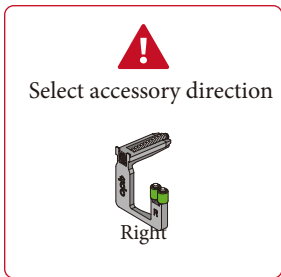
Measure the total width of the door opening and take the Minimum vertical size (Must use a level to measure the door opening).

Door opening width + 16.5mm = Door cover line width

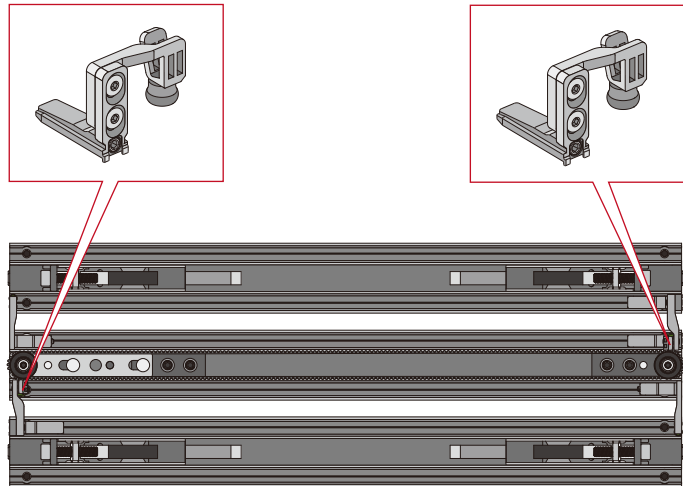


Top view of the door opening

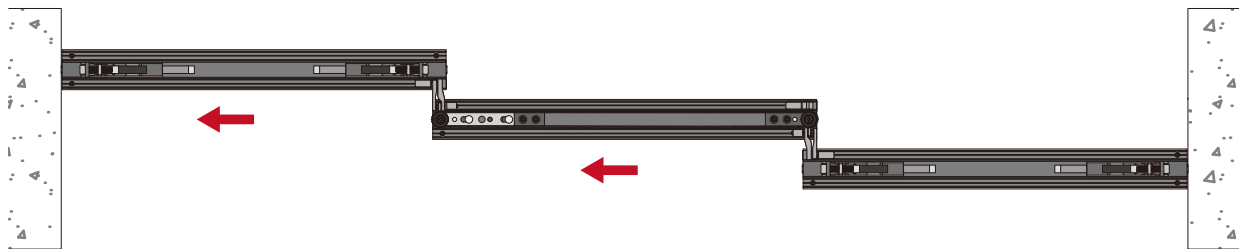
3 Linkage Door (Left) Accessories Drawing



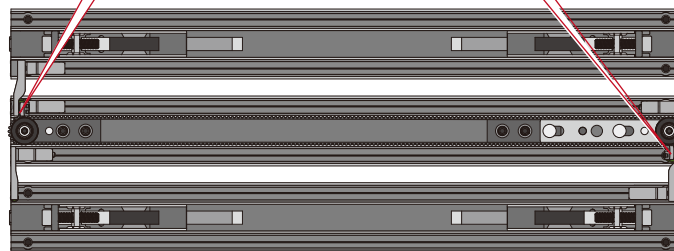
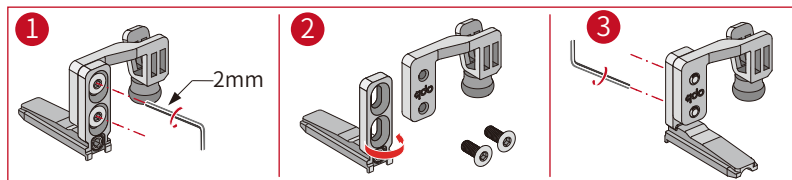
Movable door 2
Movable door 1
Movable door 1



Top view of the bottom of the door to the left closing

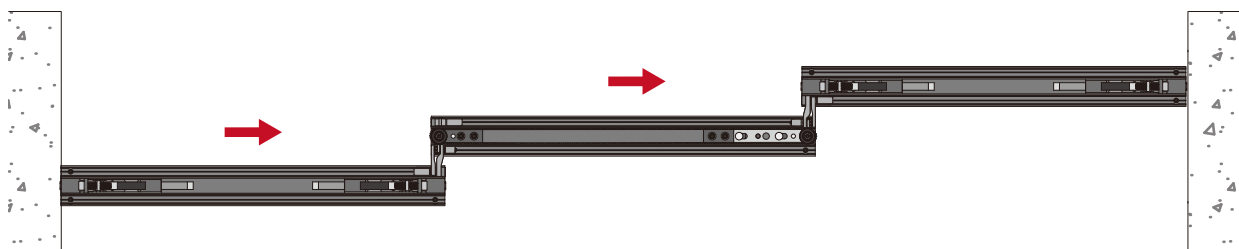


3 Linkage Door (Right) Accessories Drawing

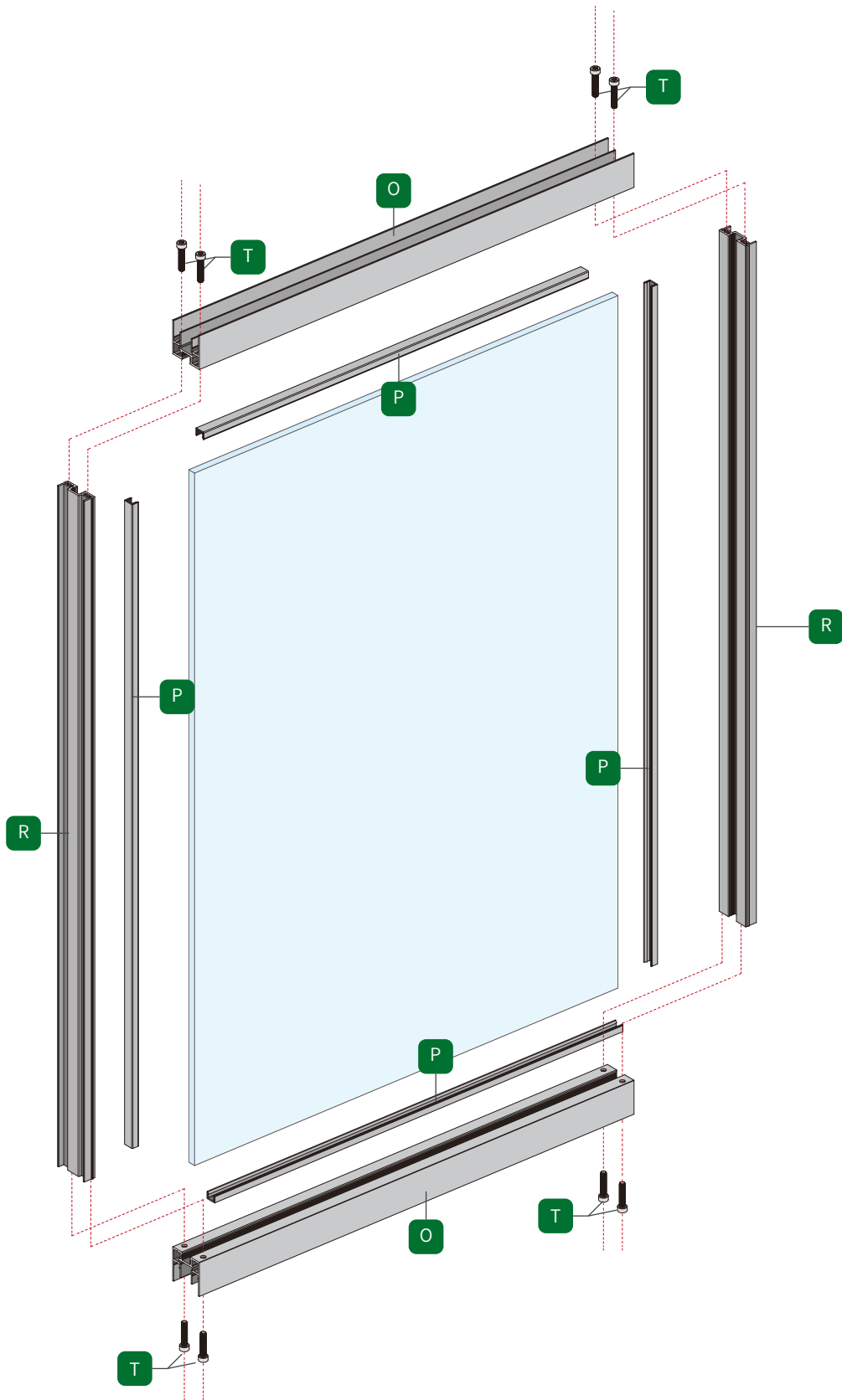


Movable door 2
Linkage door 1
Movable door 1

Top view of the bottom of the door to the right closing

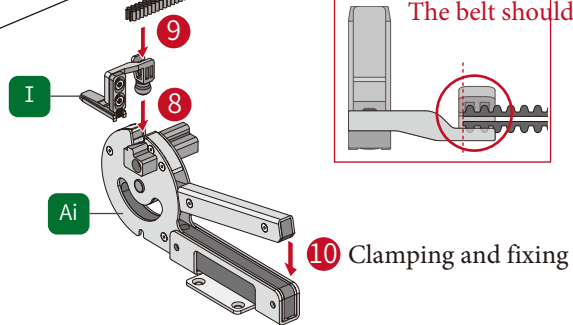
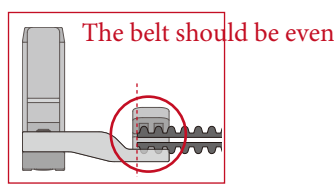
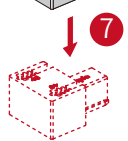
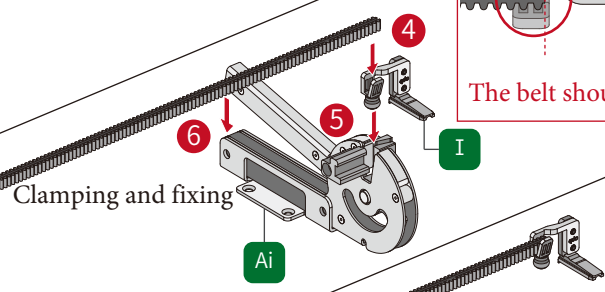
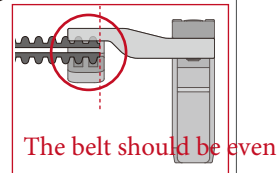
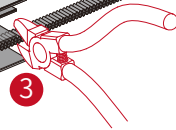
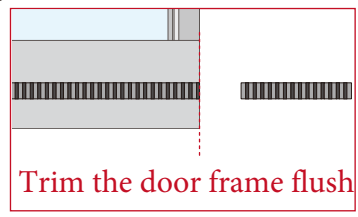
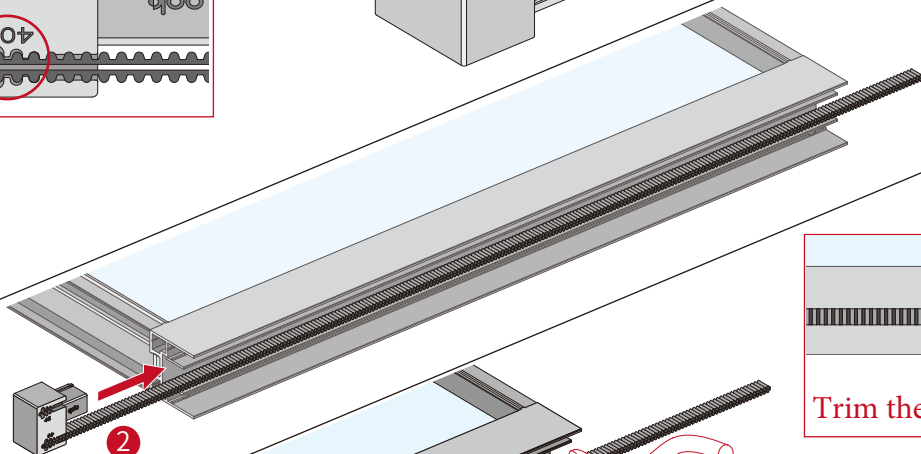
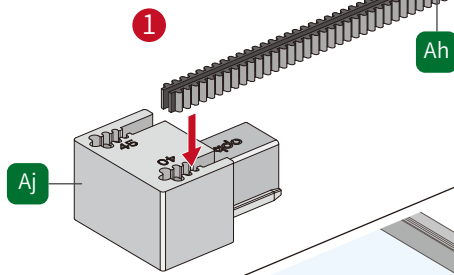
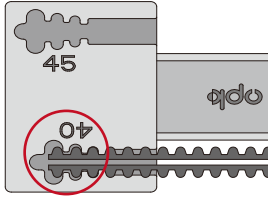


1 Spliced door frame Install door fan accessories

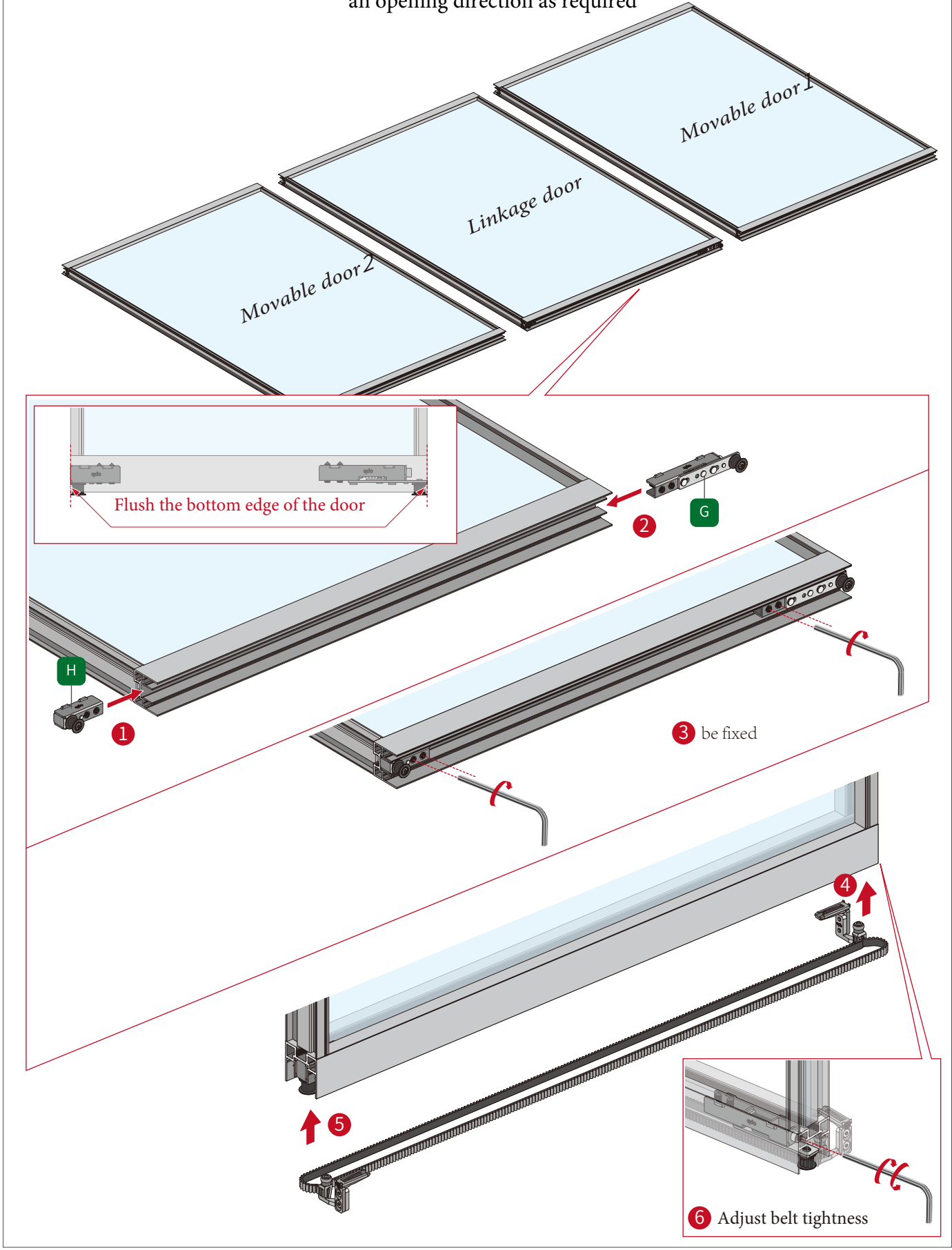


2 Cut belt Belt fitting

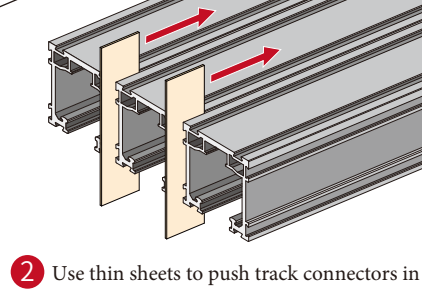
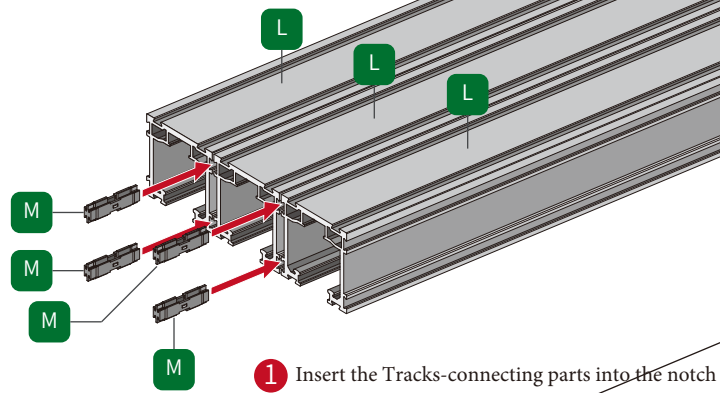
According to the width of the top and bottom frame profiles of the door, confirm the use of belt mold (40, 45).



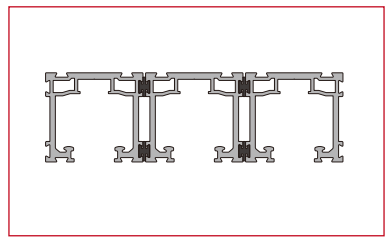
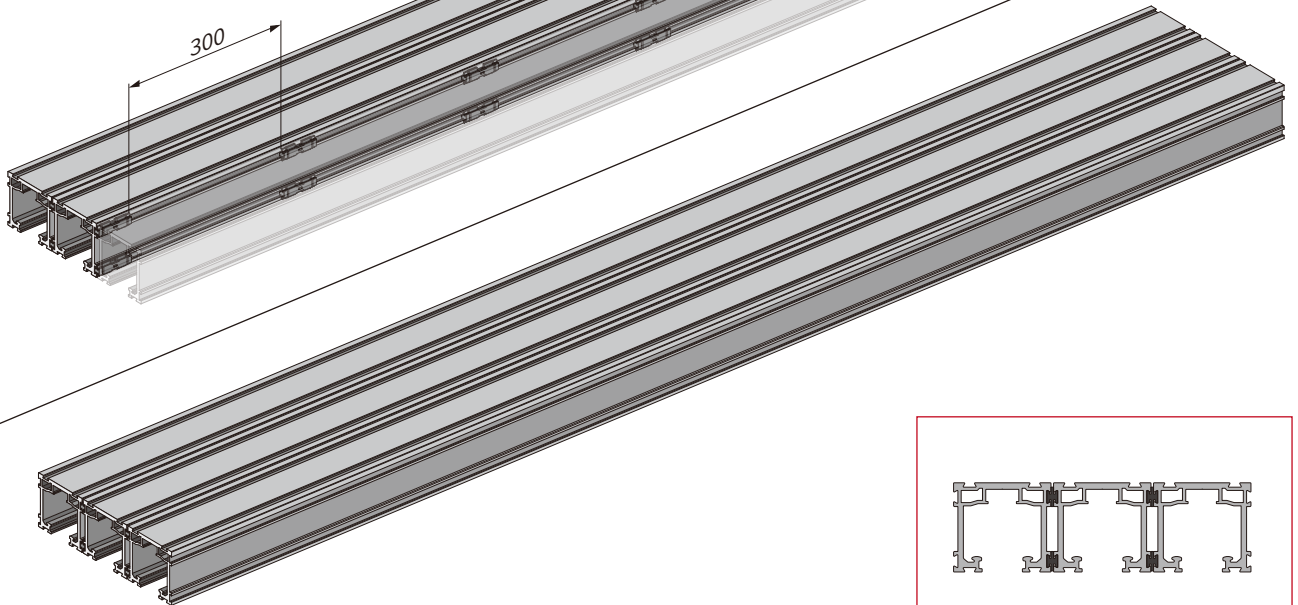
3 Install door fan accessories Take closing the door to the right as an example, you can select an opening direction as required



4-1 Connect the track profile and accessories

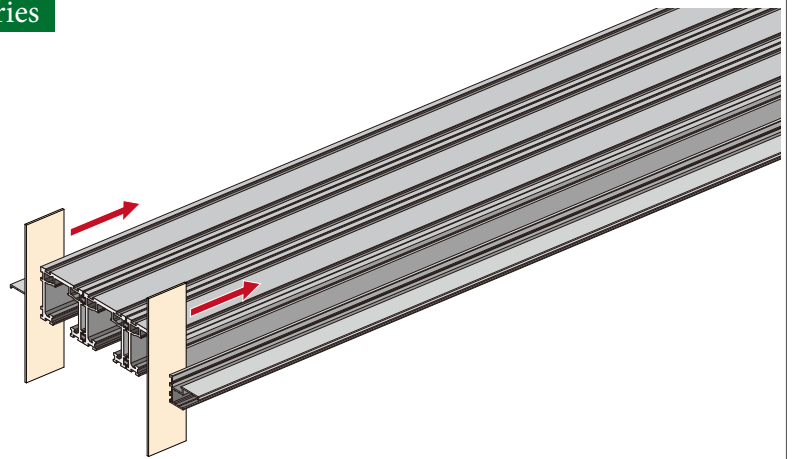
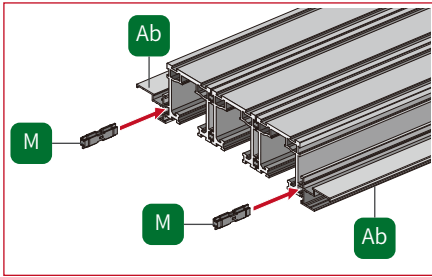


! Each interval is 300mm



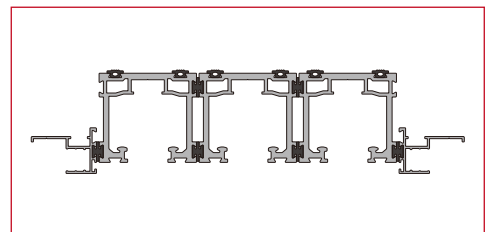
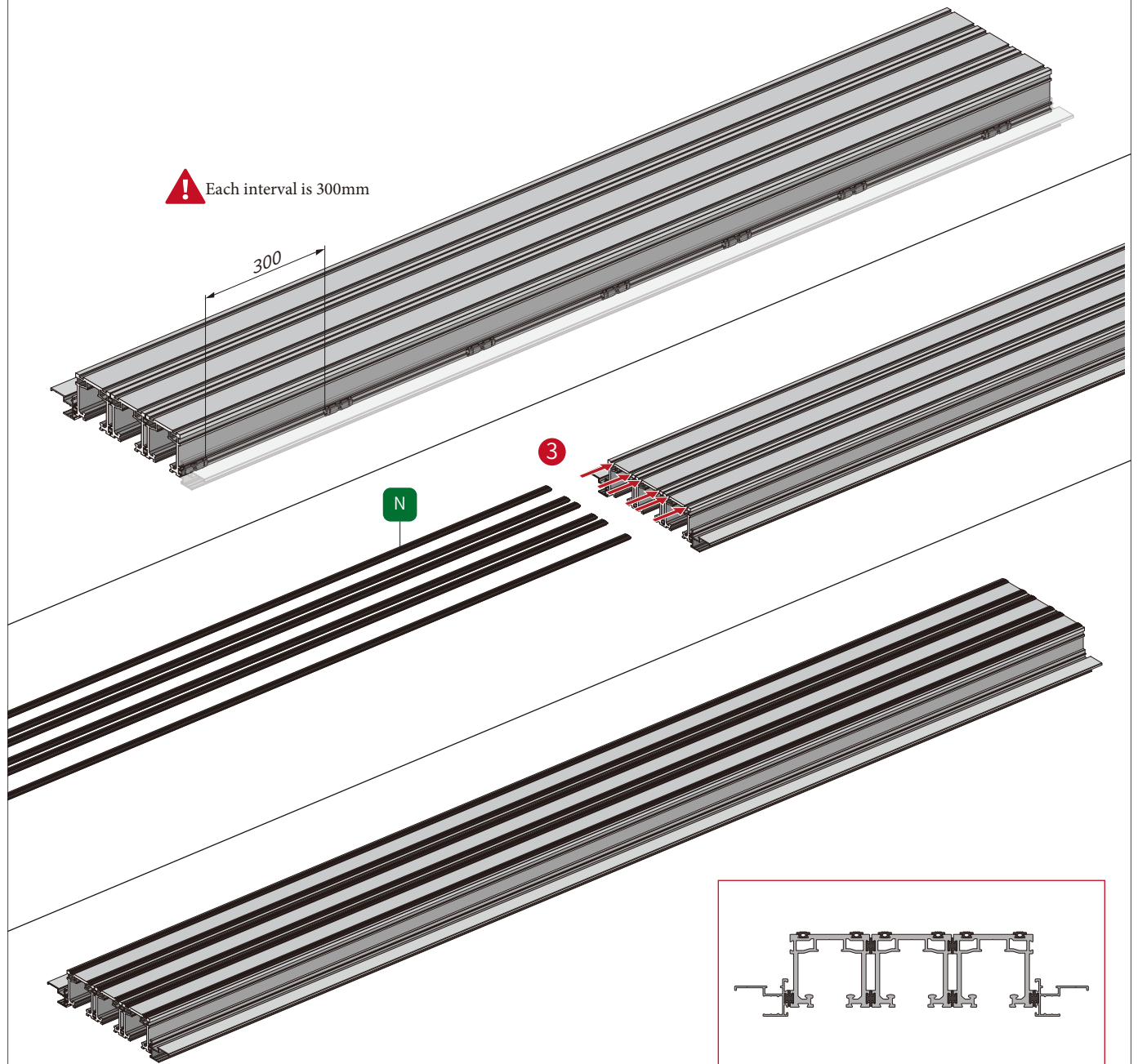
4-2 Connect the track profile and accessories

1 Insert the Tracks-connecting parts into the notch



2 Use thin sheets to push track connectors in

! Each interval is 300mm



5 Install the top track

1 Measure the level of the dooropening

2

3 The track is installed in the center of the door

4 be fixed

5 After finishing the screw, please clean the track dust with a cleaning brush

6 Install the top track decorative door cover

2

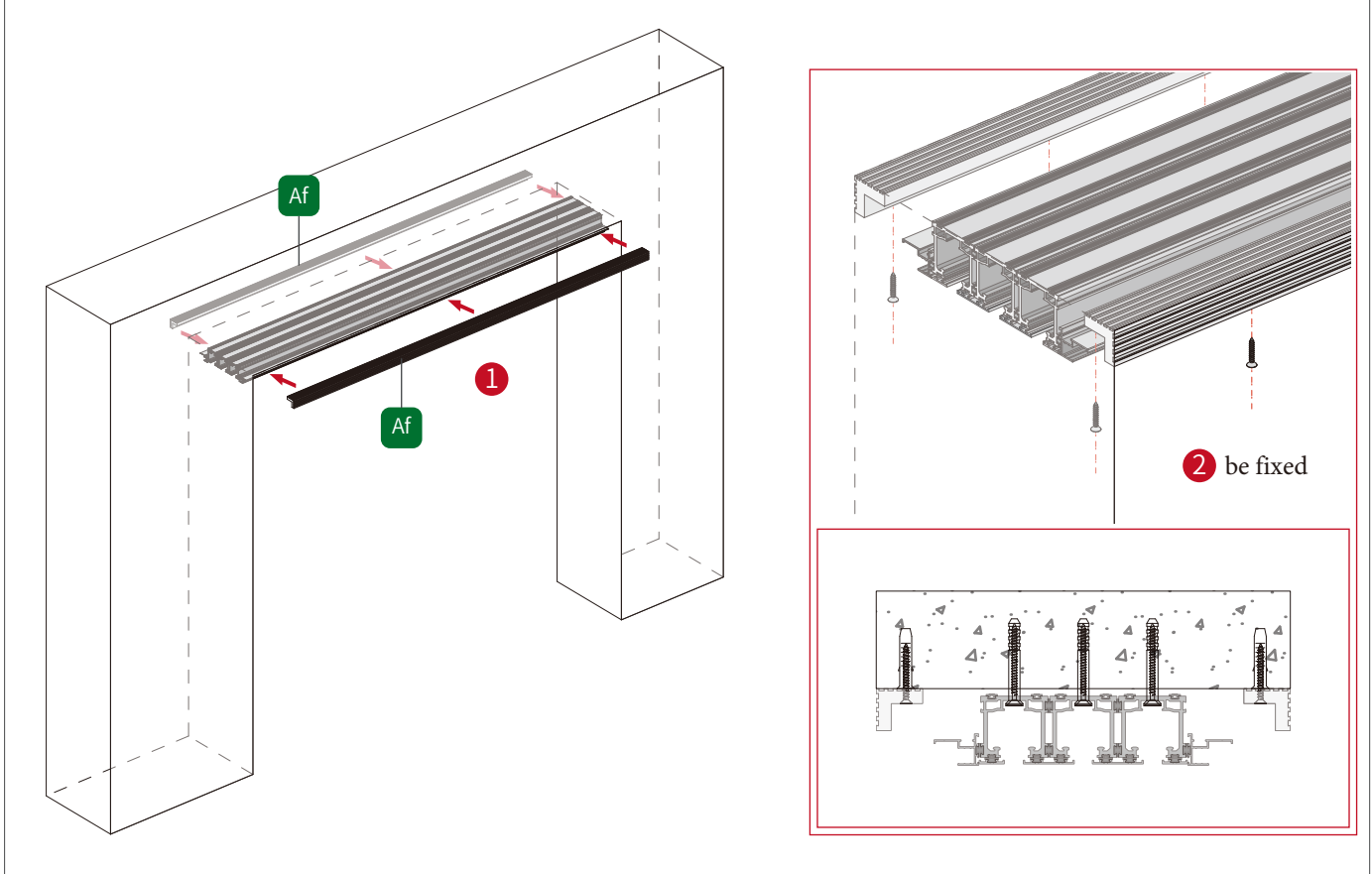
300

! place one piece every 300mm

Y W X X W

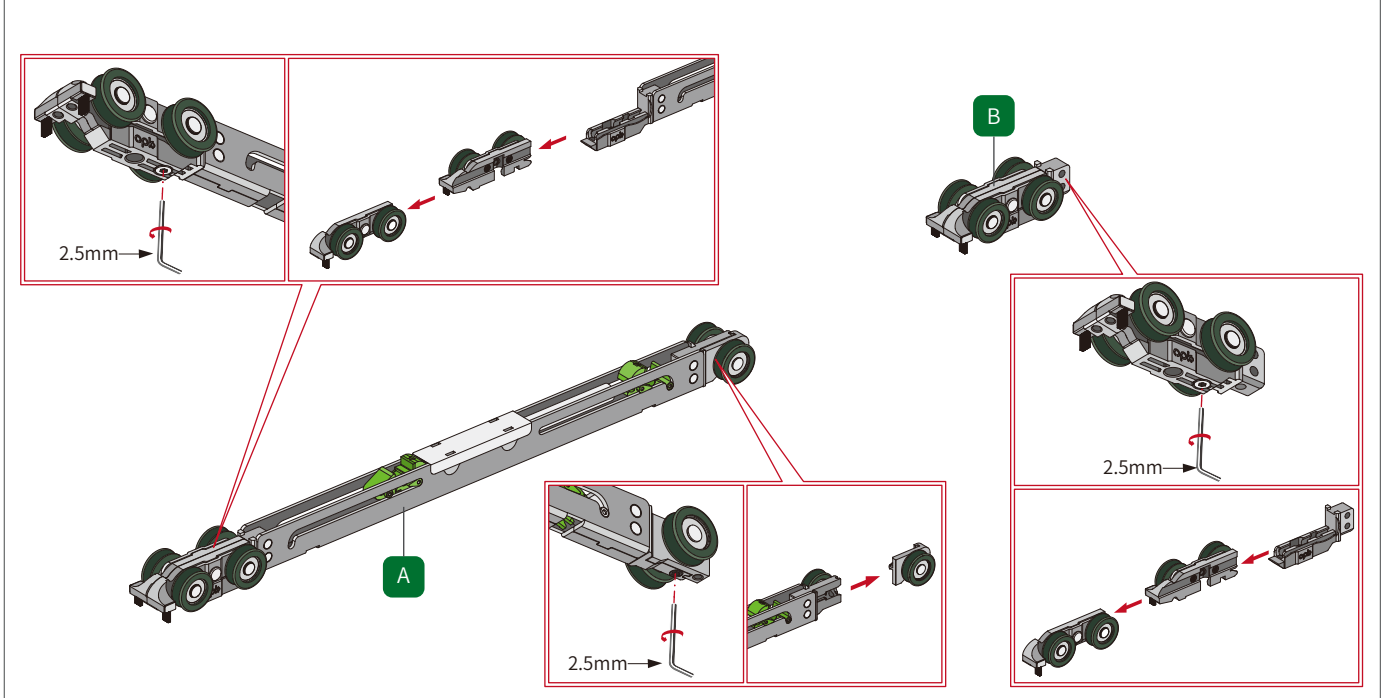
1

7 Install the closing L-strip

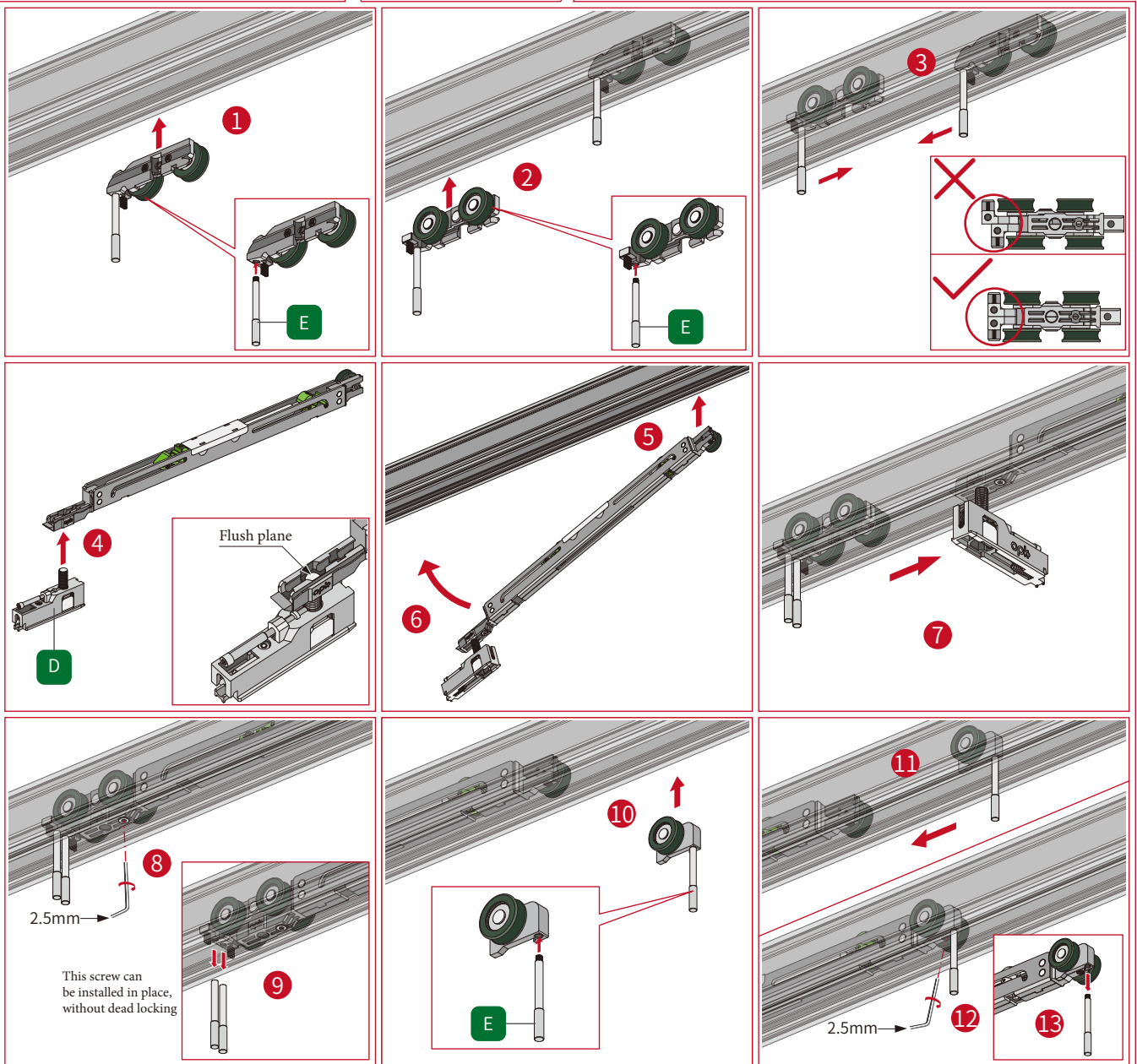
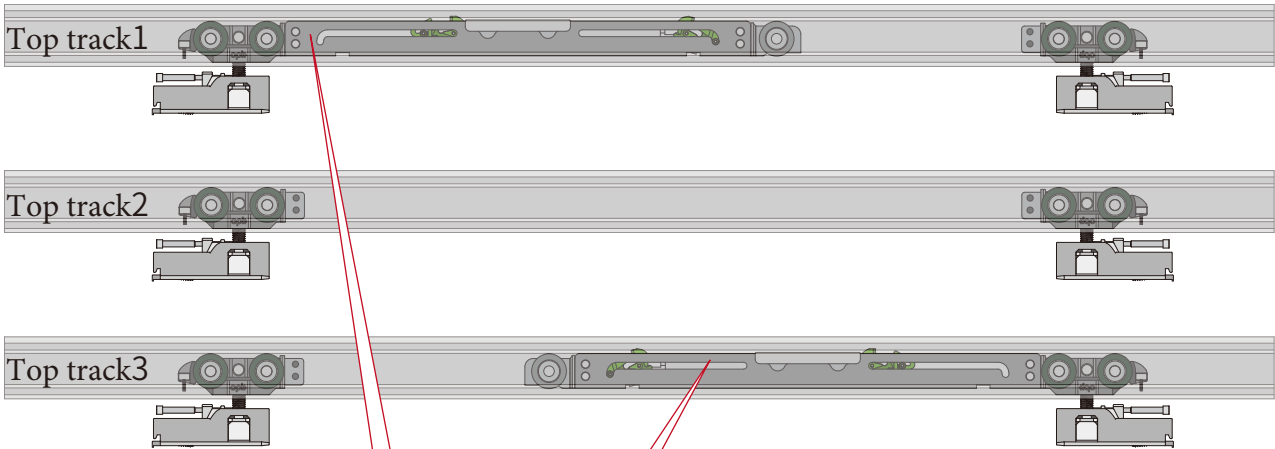


Accessories Installation

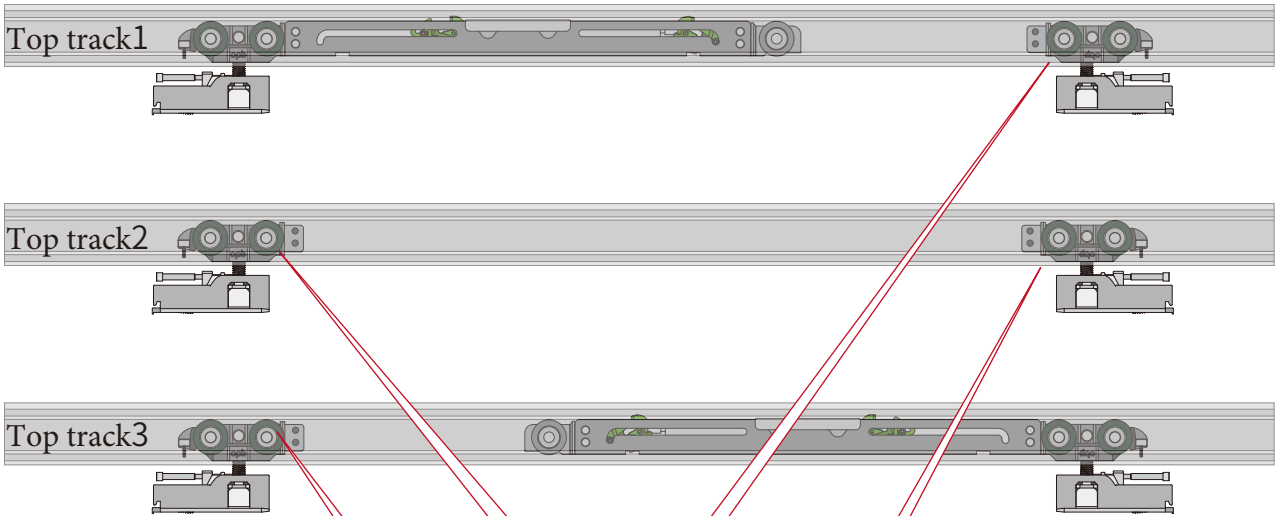
8 Disassemble the top sliding roller



9-1 Install the top sliding roller

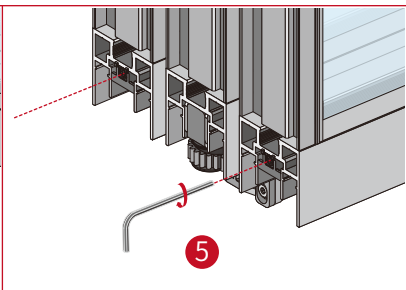
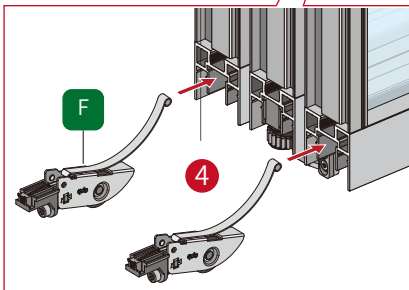
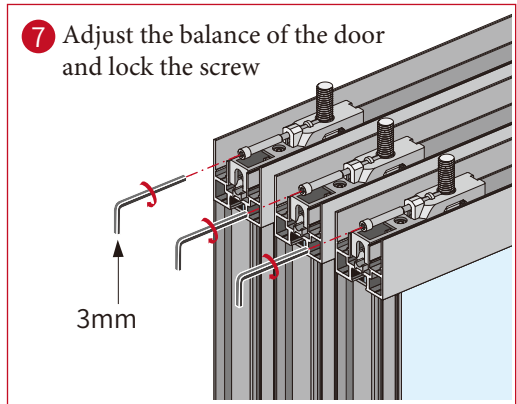
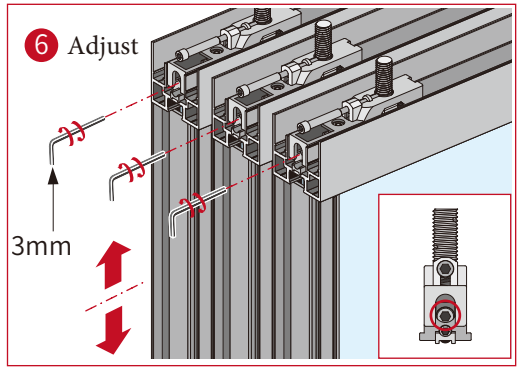
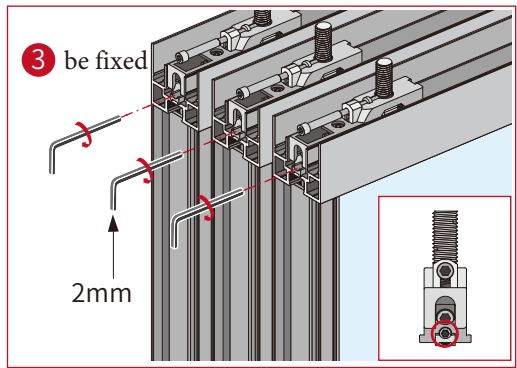
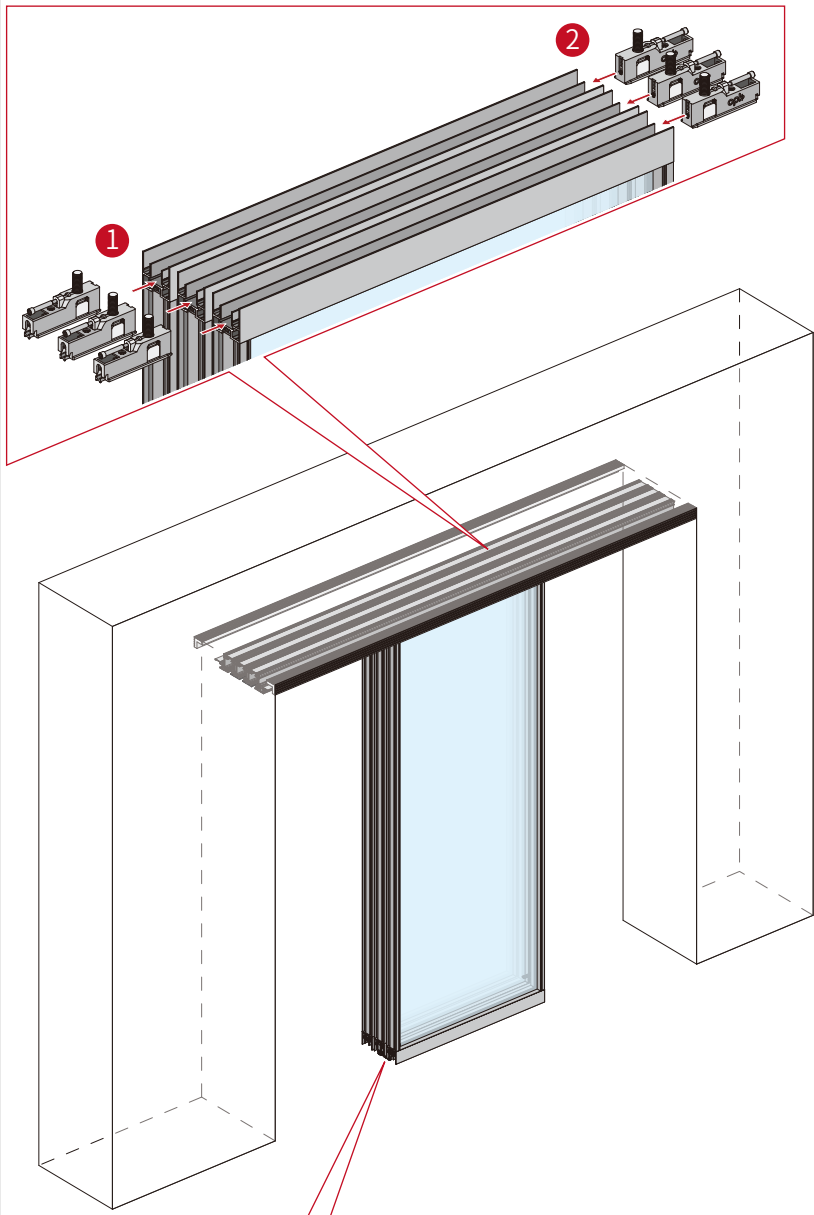


9-2 Install the top sliding roller

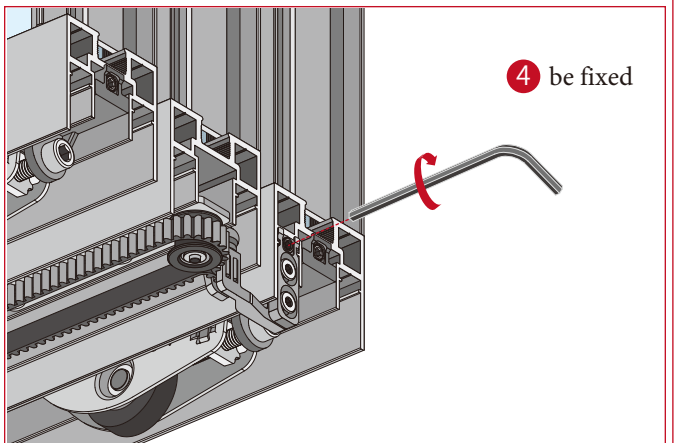
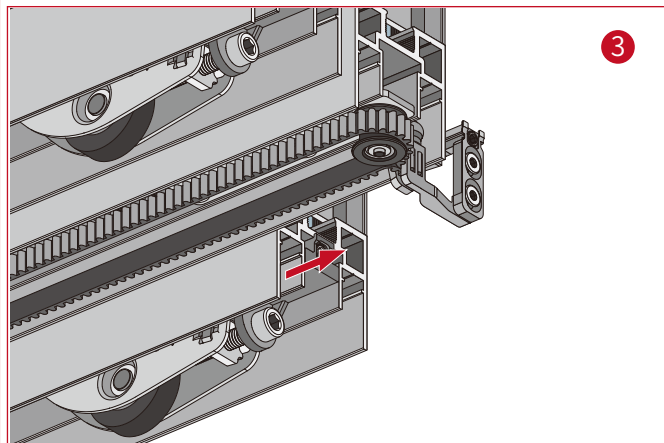
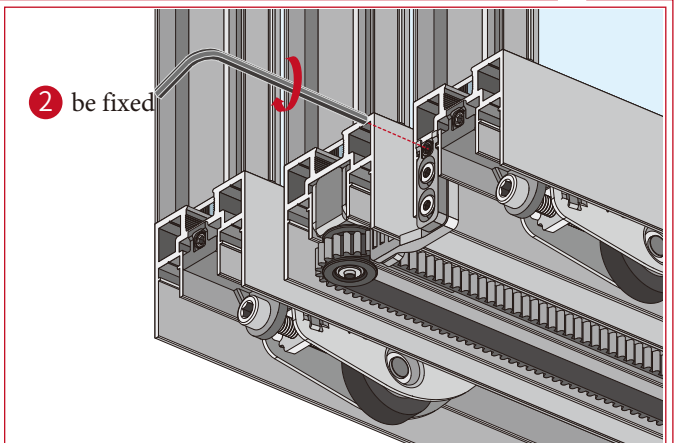
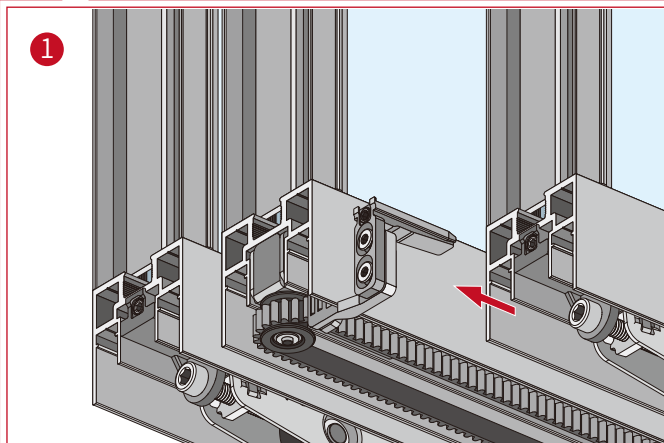
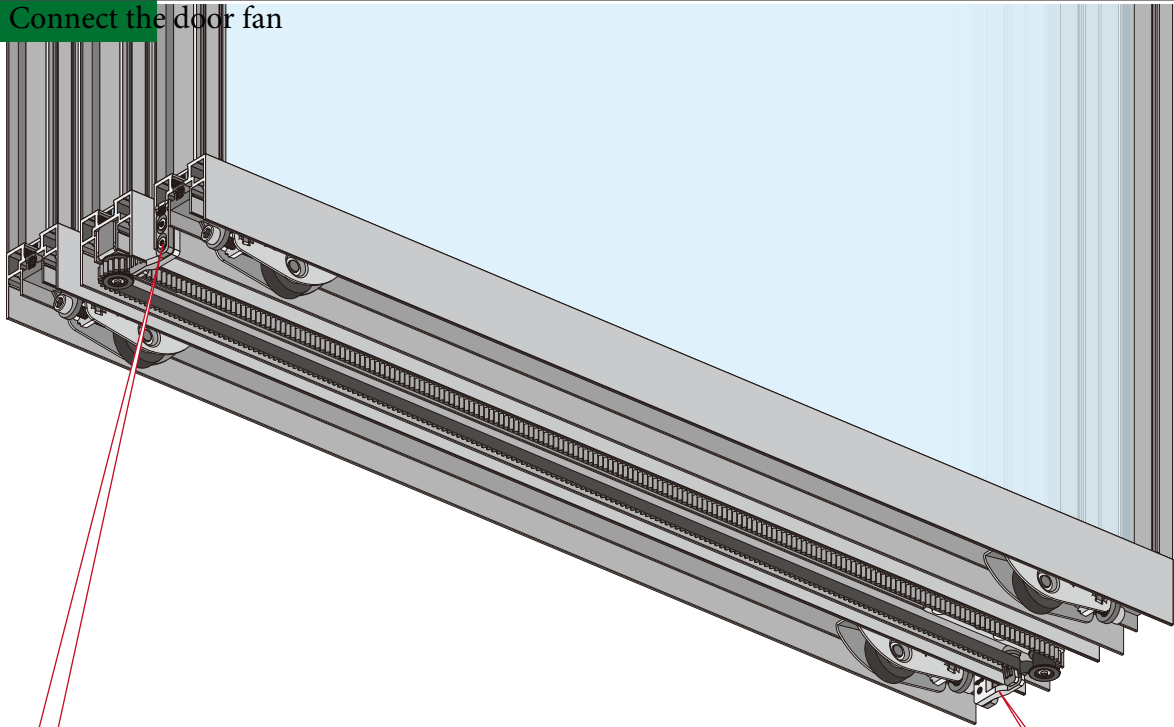


<p>1</p> <p>E</p>	<p>2</p> <p>E</p>	<p>3</p>
<p>4</p> <p>D</p> <p>It can't go above the plane</p>	<p>5</p>	<p>6</p> <p>This screw can be installed in place, without dead locking</p> <p>7</p>

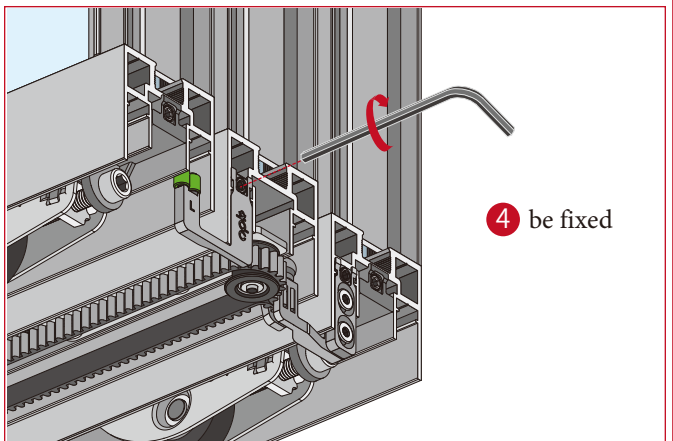
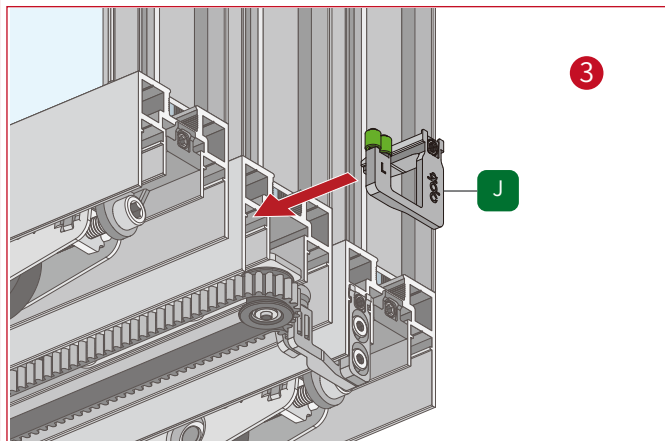
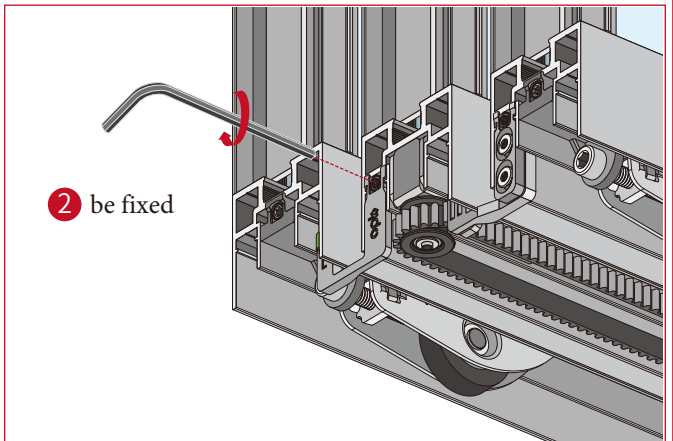
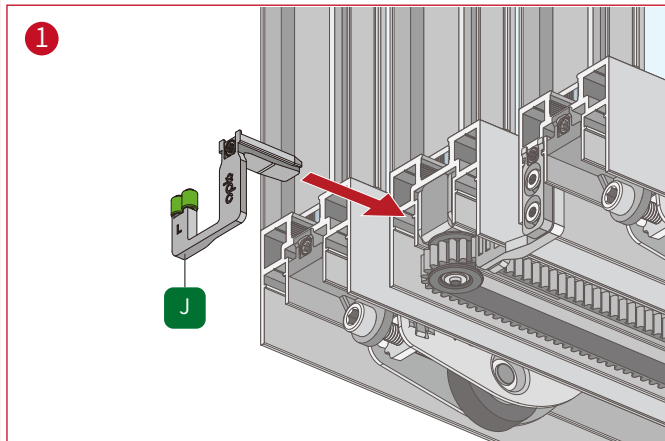
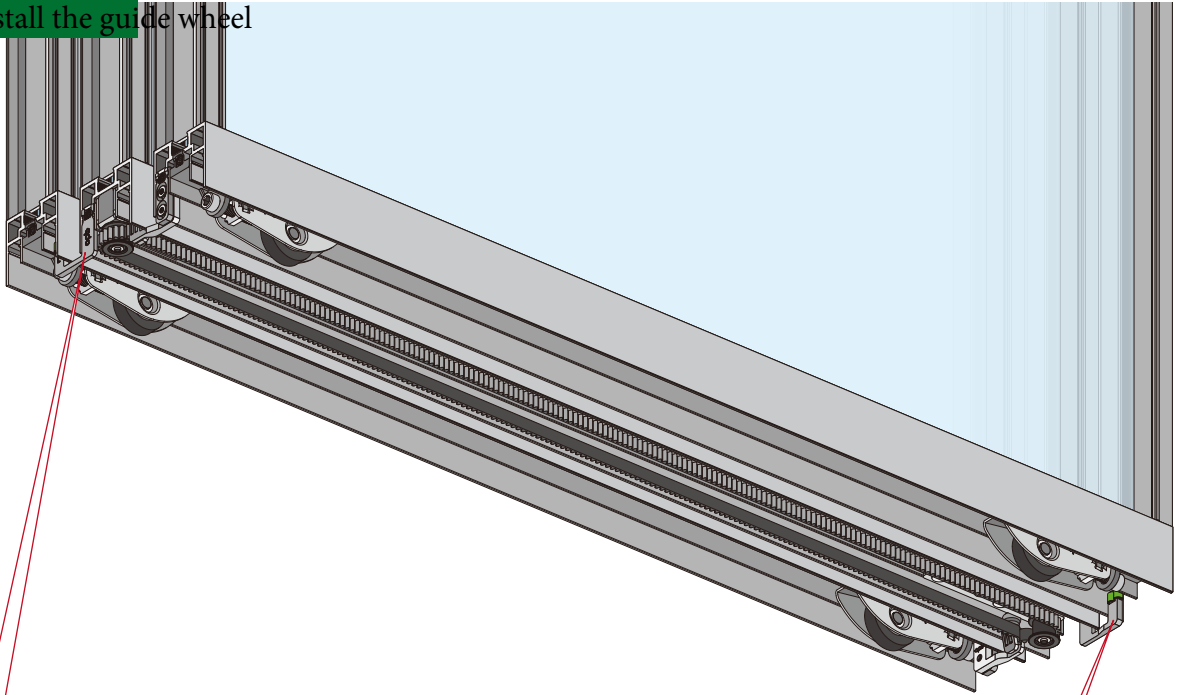
10 Install the door fan



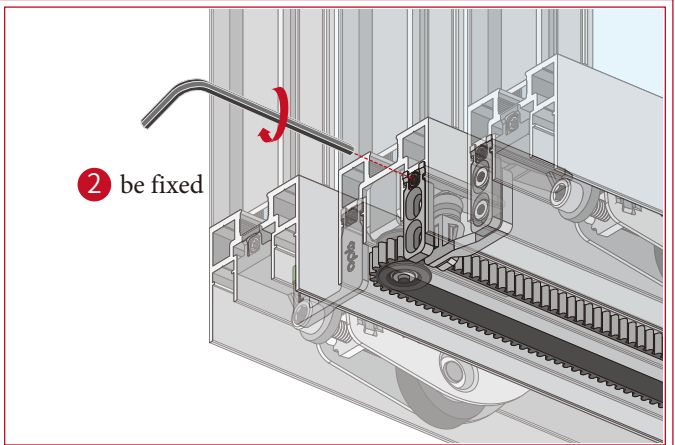
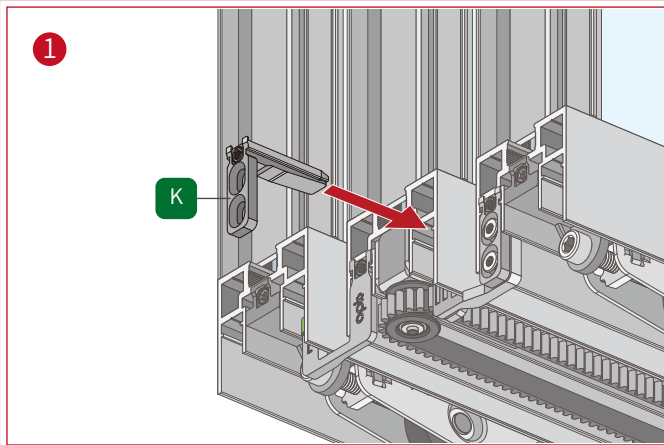
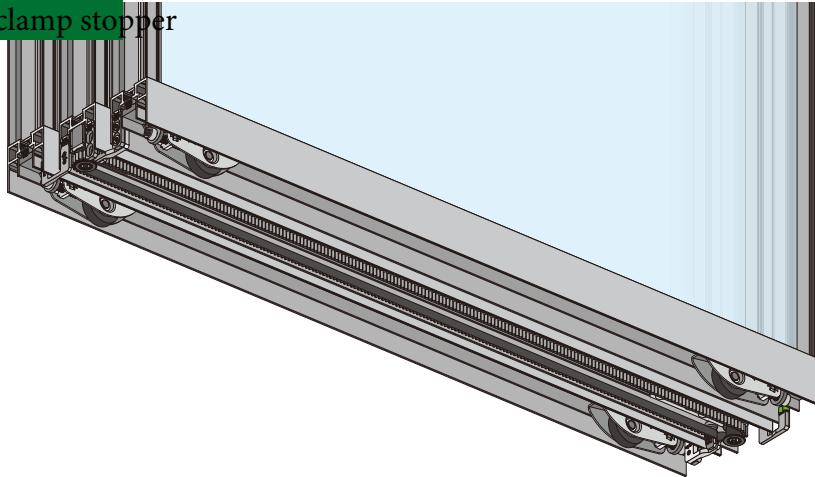
11 Connect the door fan



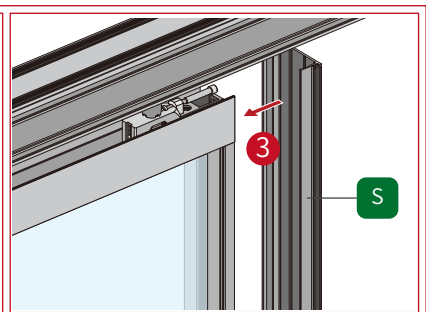
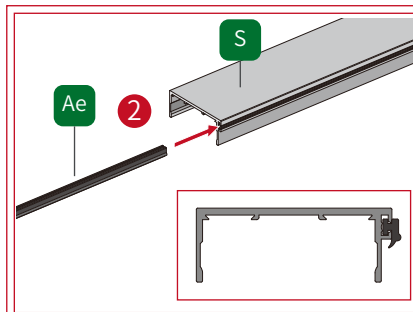
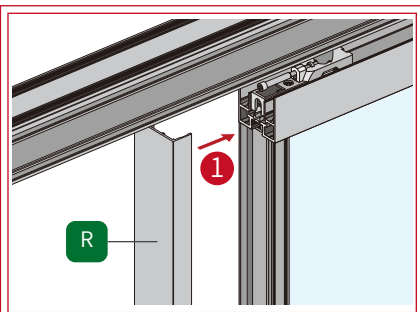
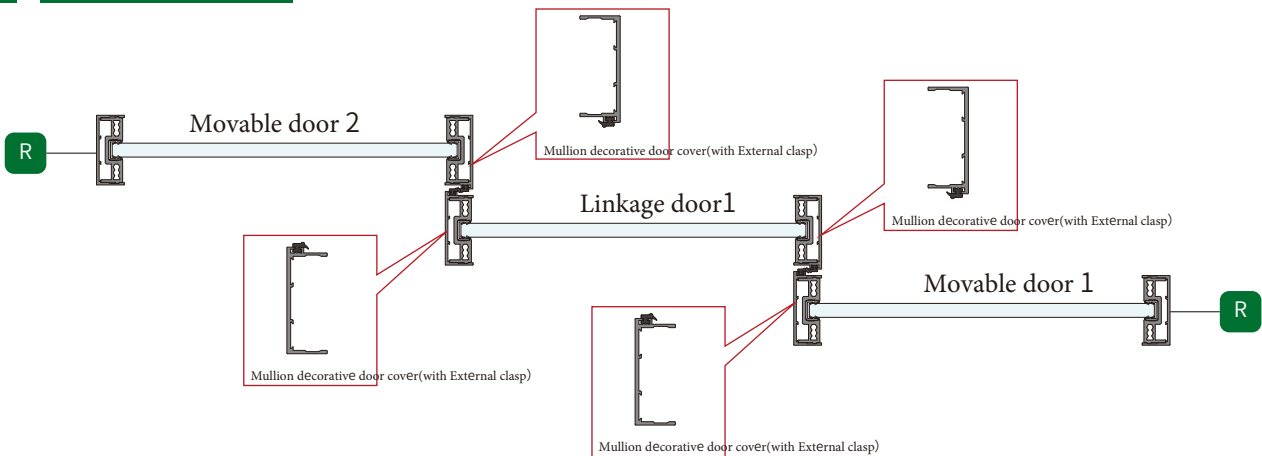
12 Install the guide wheel



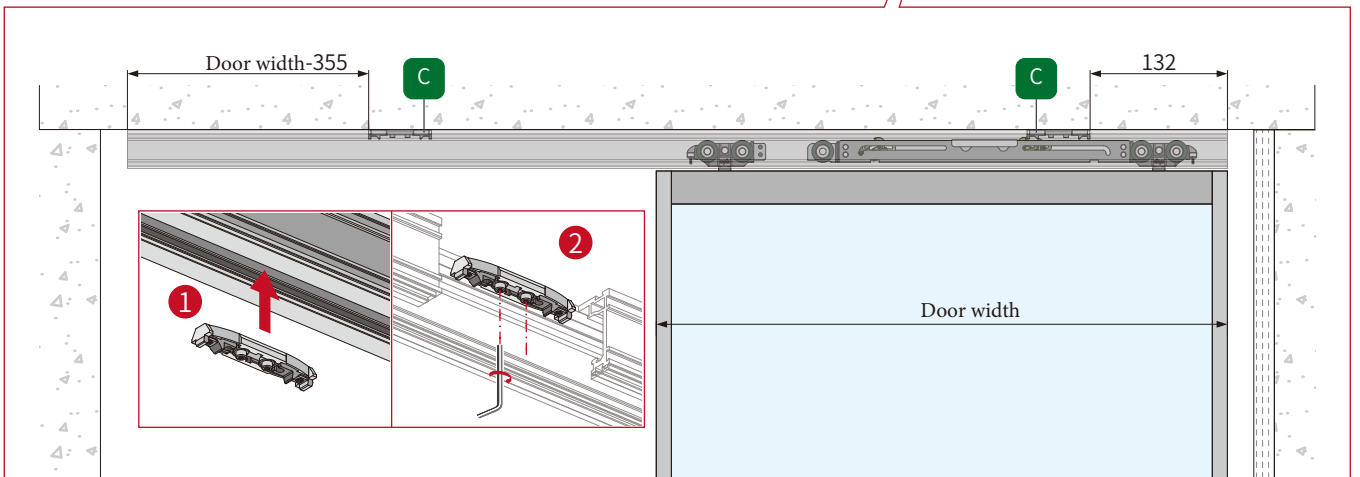
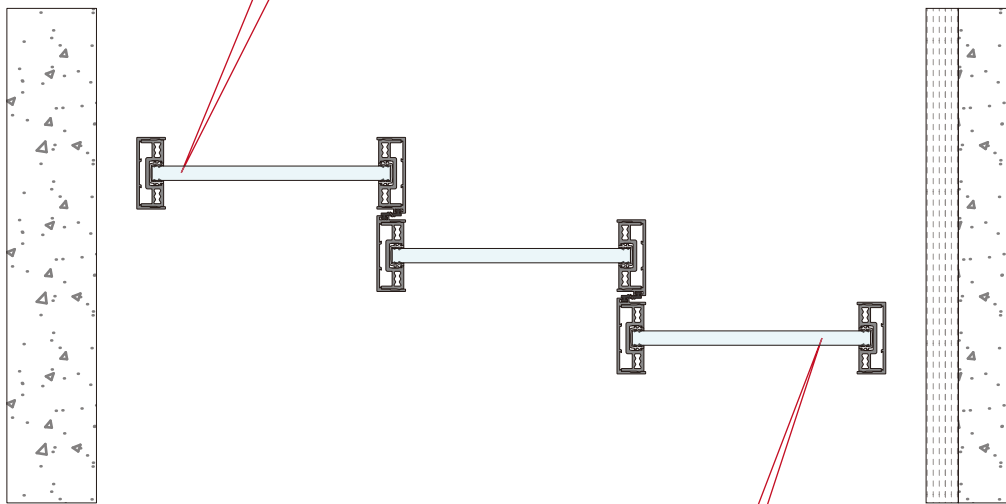
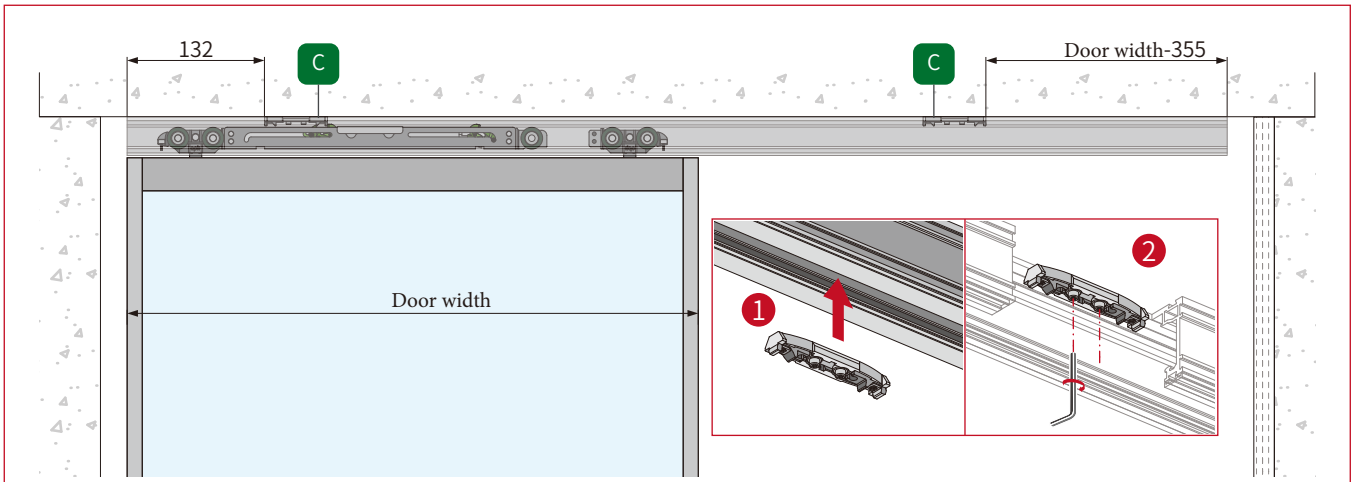
13 Install Belt clamp stopper



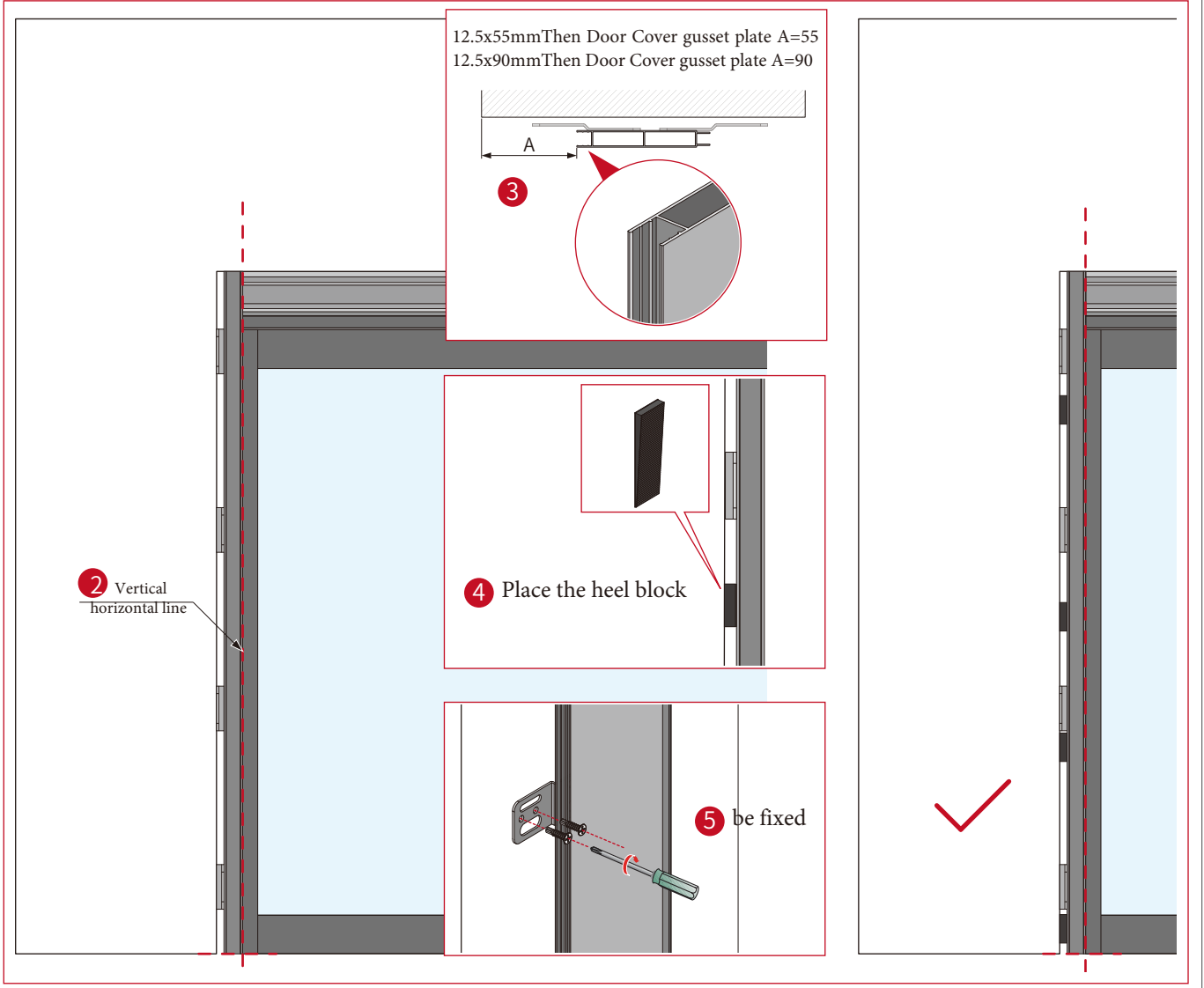
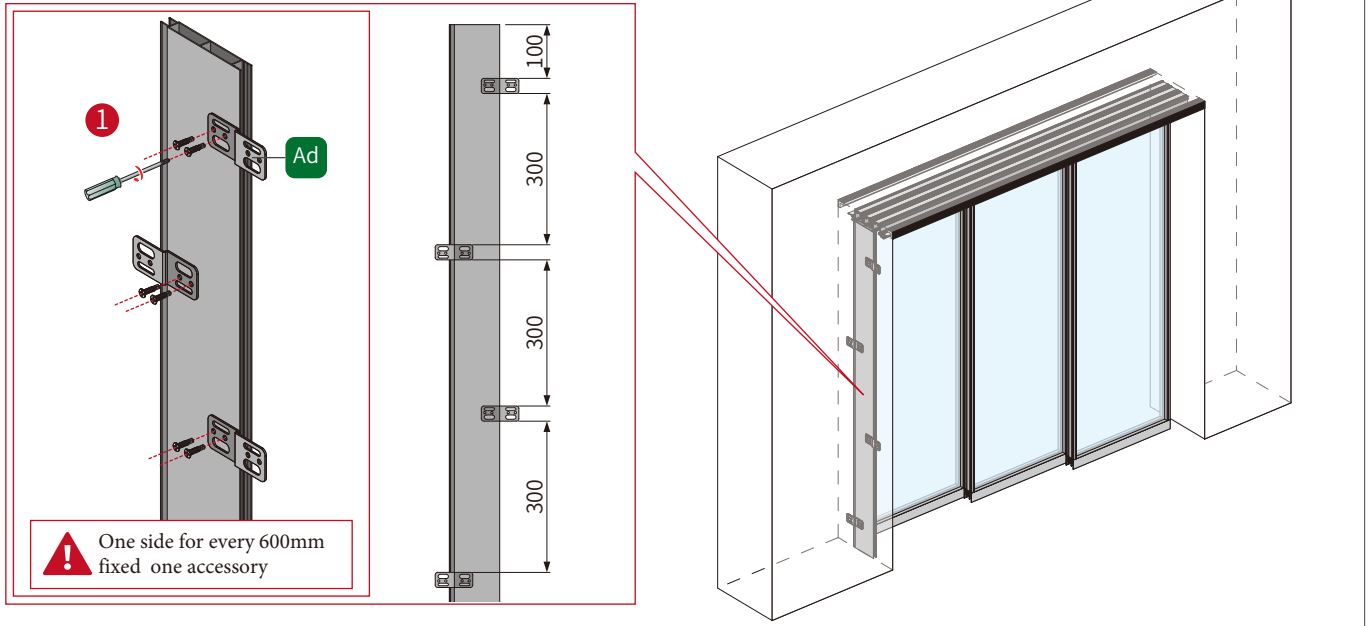
14 Install the door fan decorative door cover



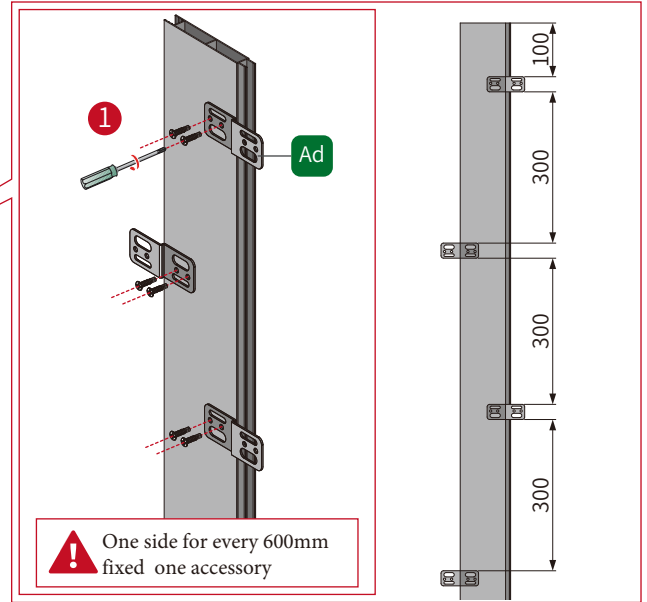
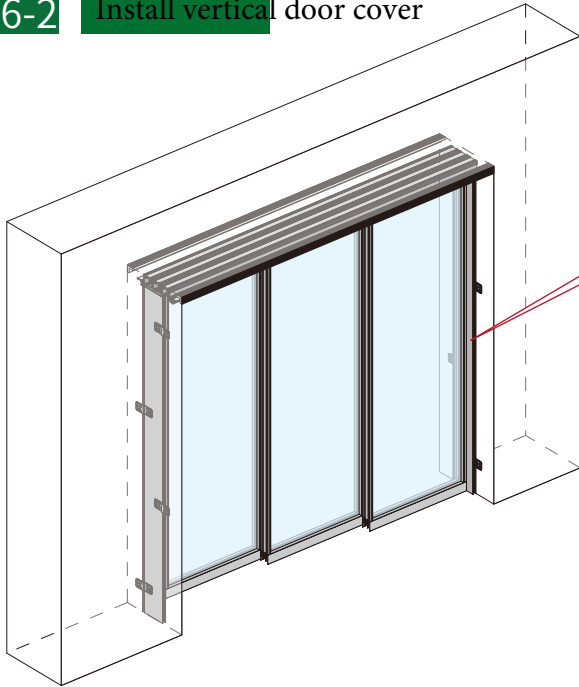
15 Install the stopper



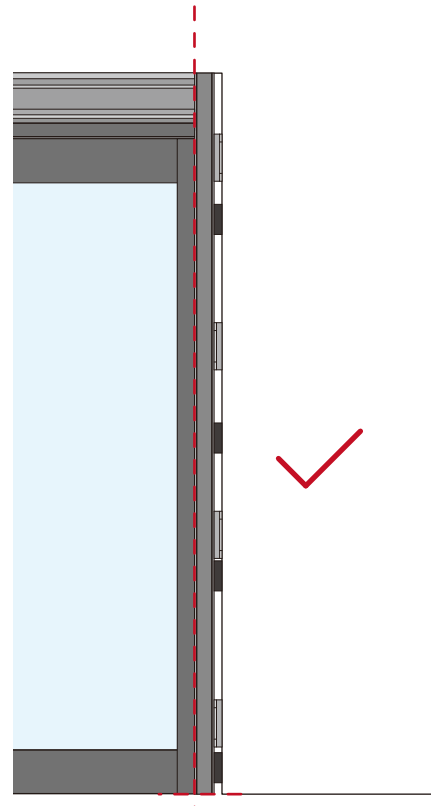
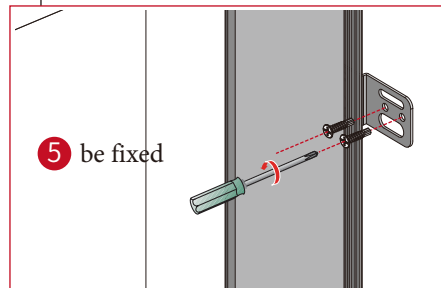
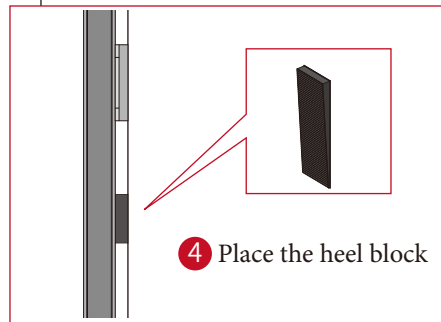
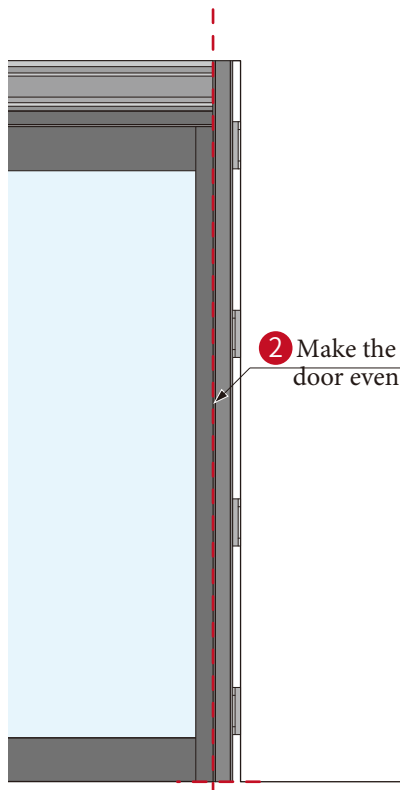
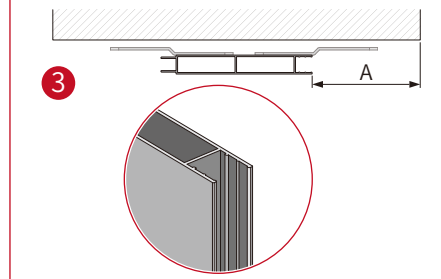
16-1 Install vertical door cover



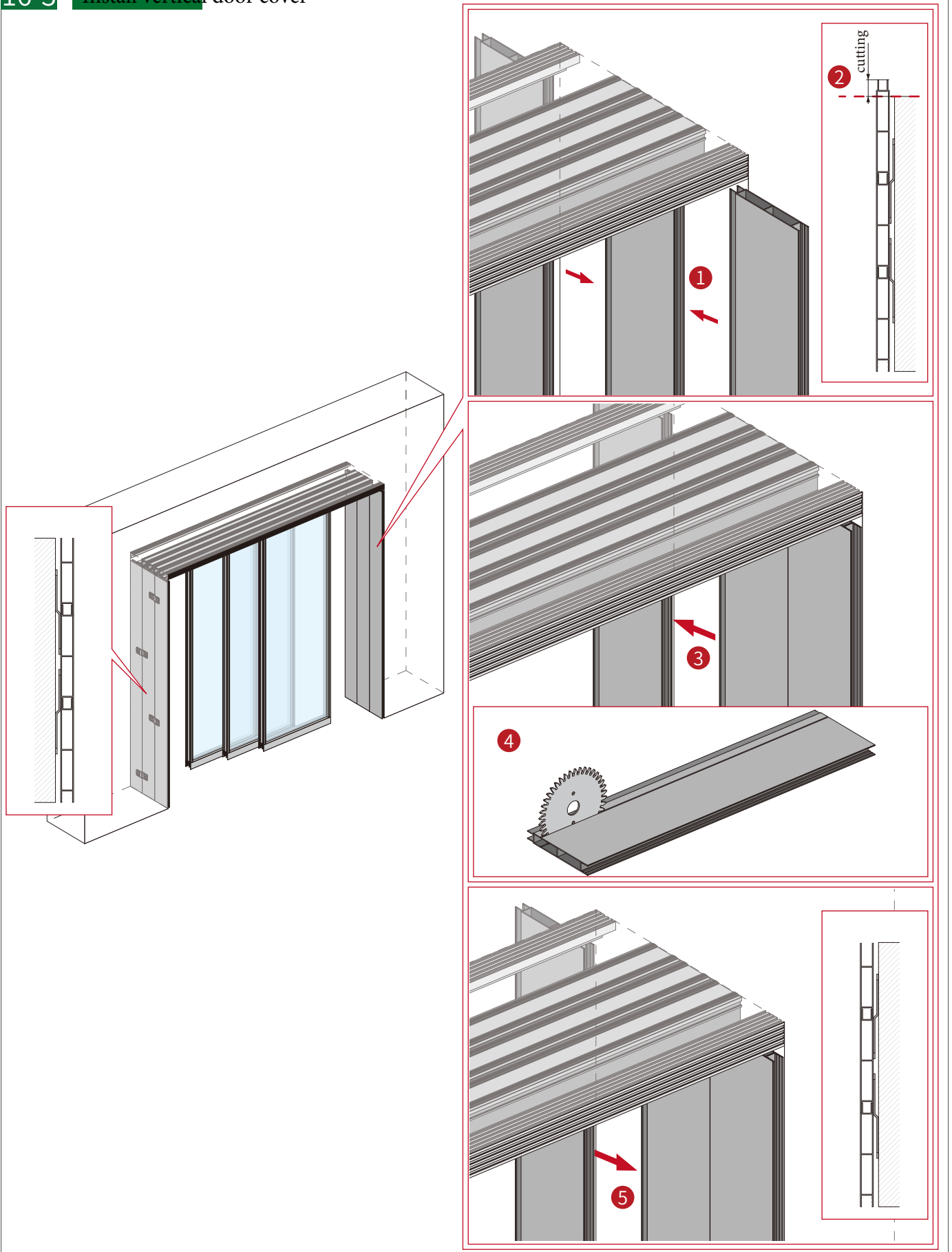
16-2 Install vertical door cover



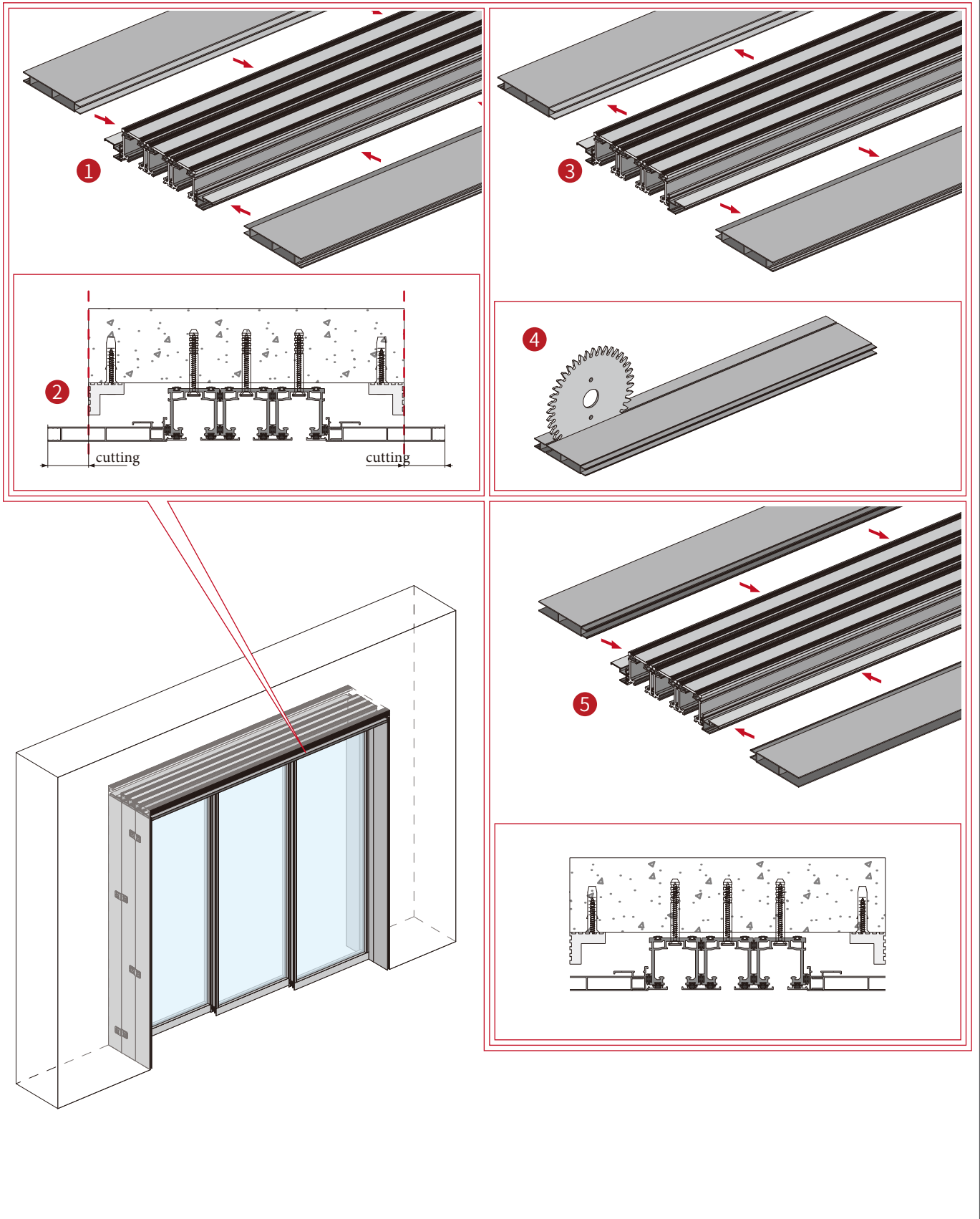
12.5x55mm Then Door Cover gusset plate A=55
 12.5x90mm Then Door Cover gusset plate A=90



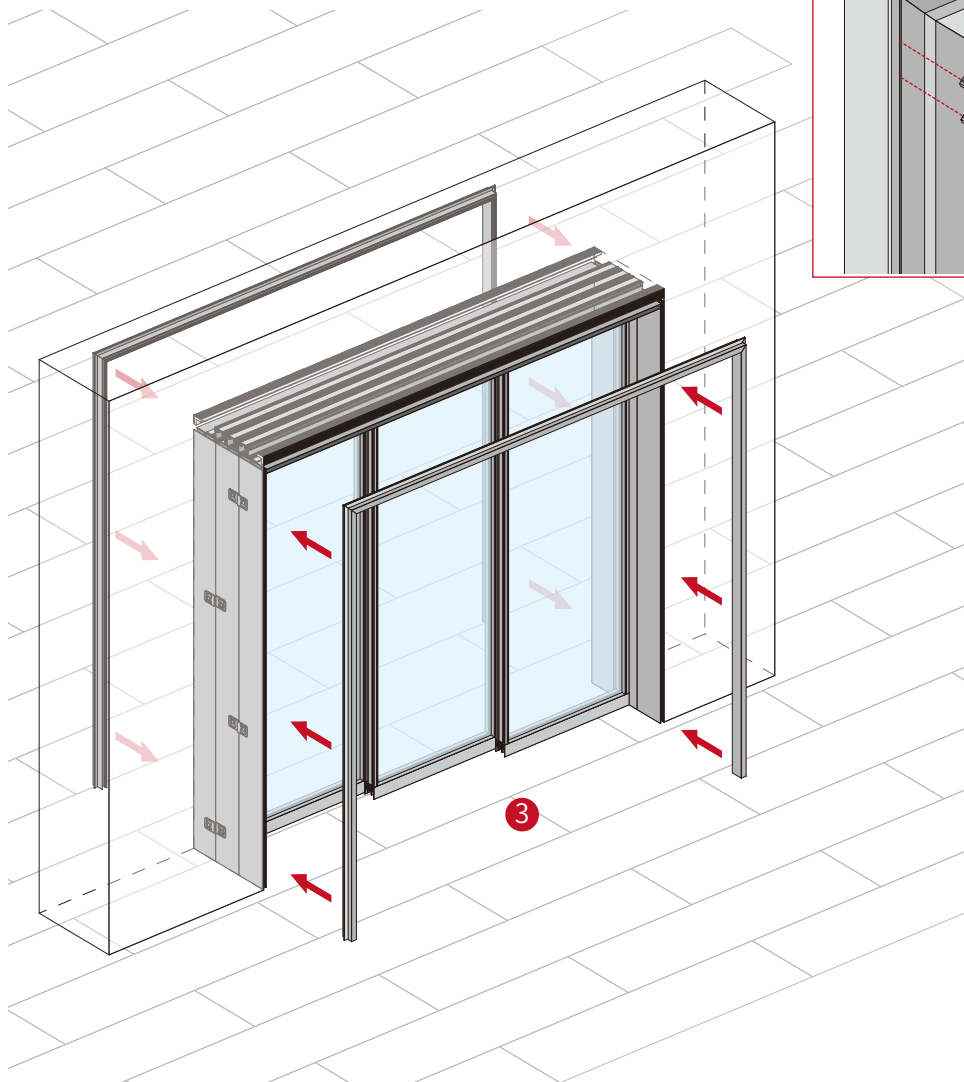
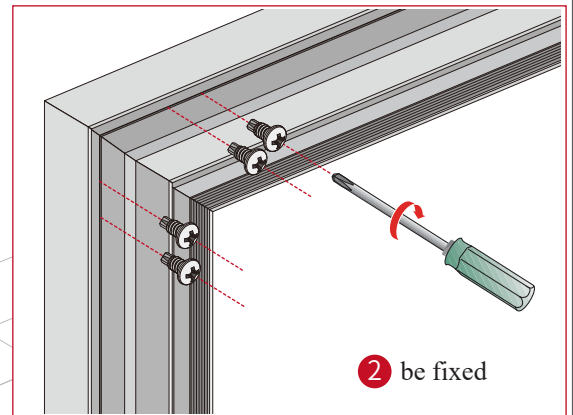
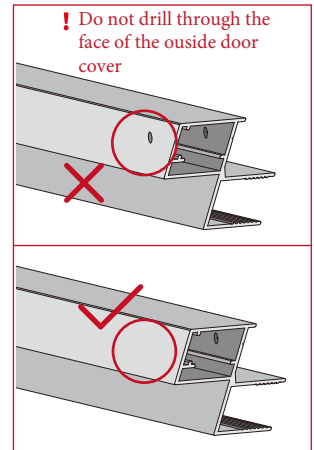
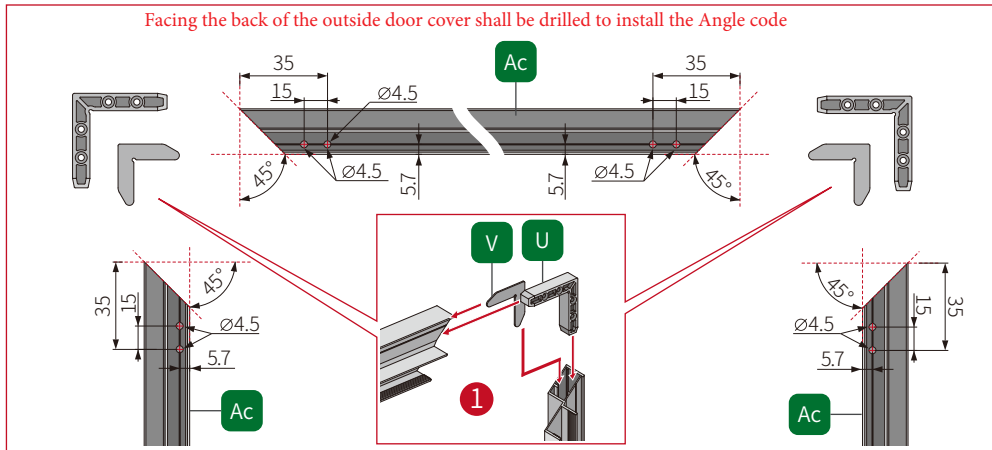
16-3 Install vertical door cover



17 Install the horizontal door cover



18 Install the flat plane door cover(outside)



Warm tips:
As the company's products will be upgraded from time to time, the product style, color, accessories and related parameters in this data are for reference only , If there is any change without prior notice, please refer to the material; All interpretation rights are reserved by the Company.