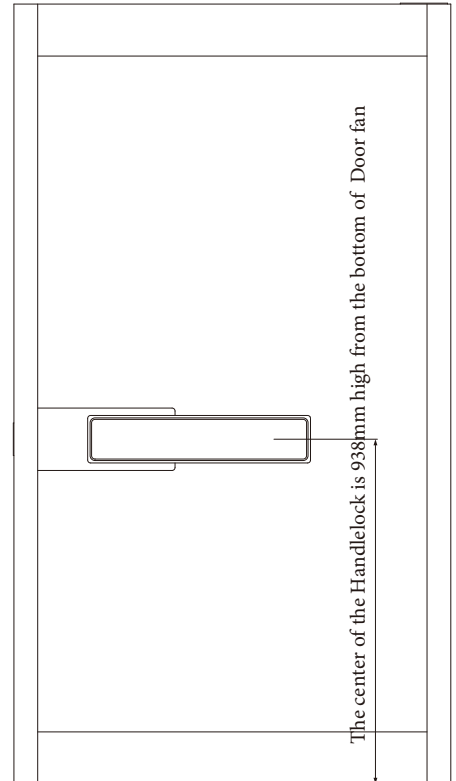
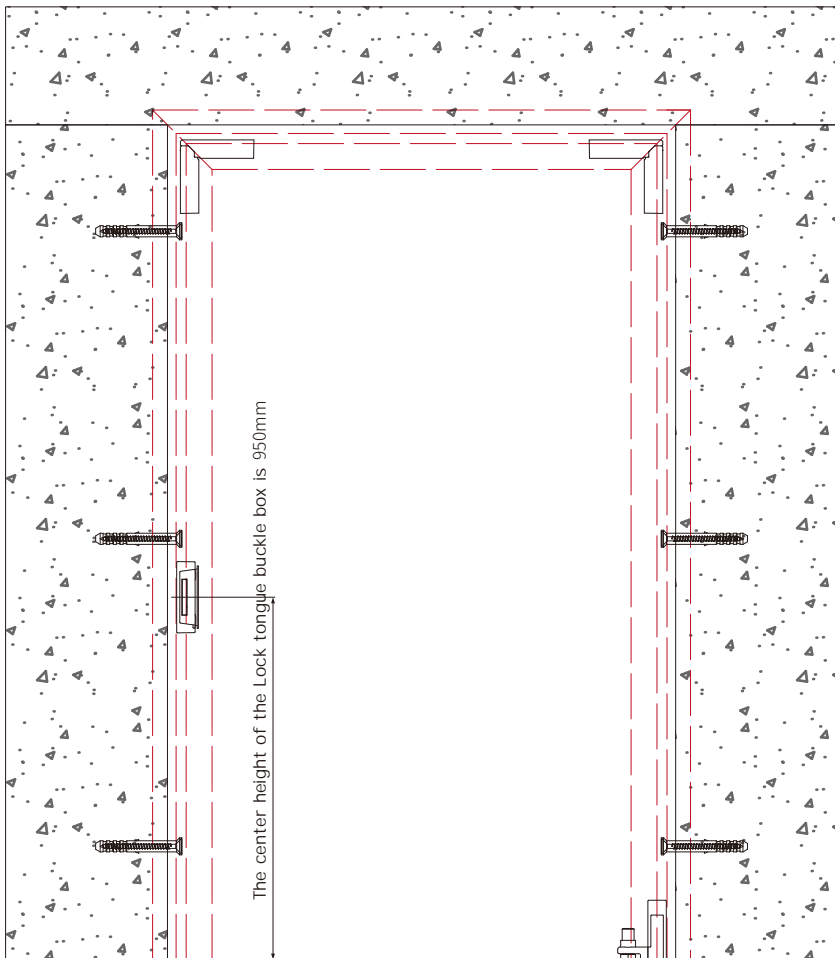
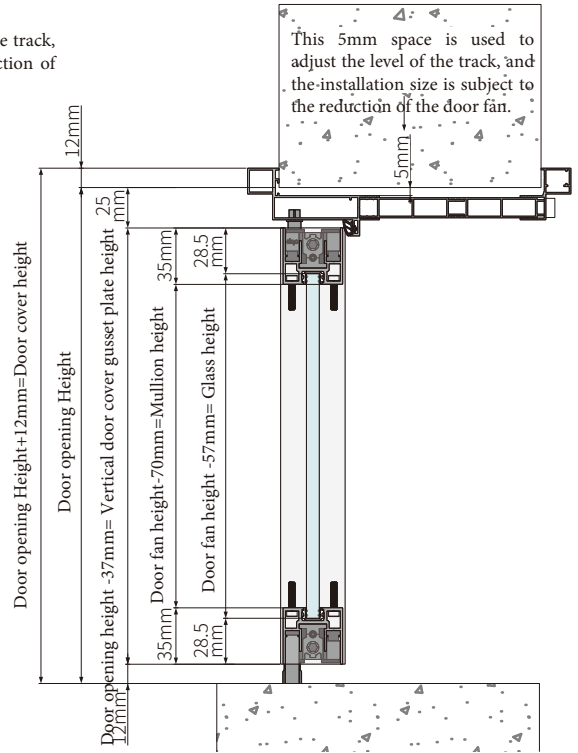
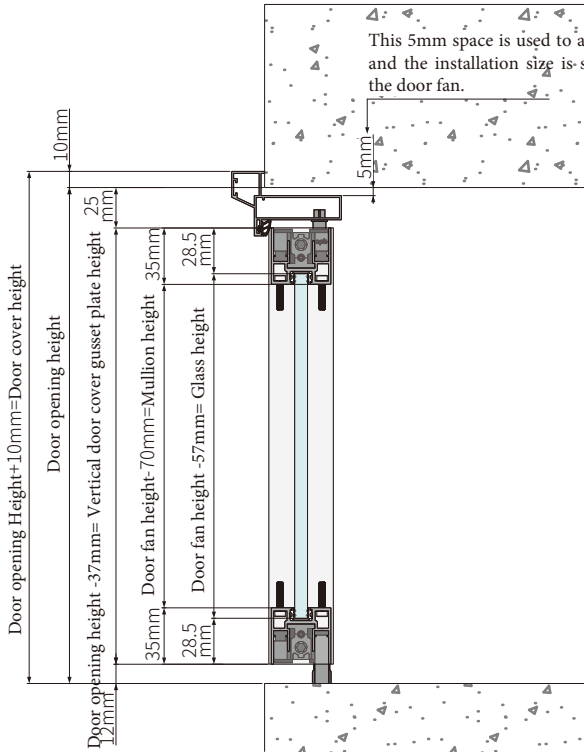


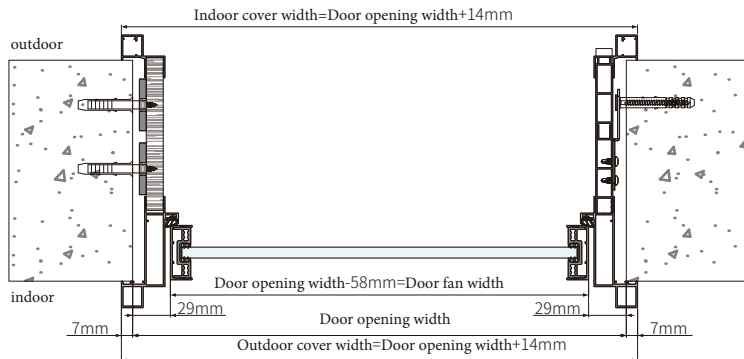
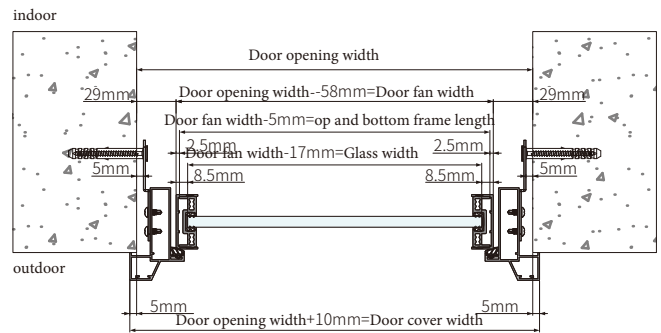
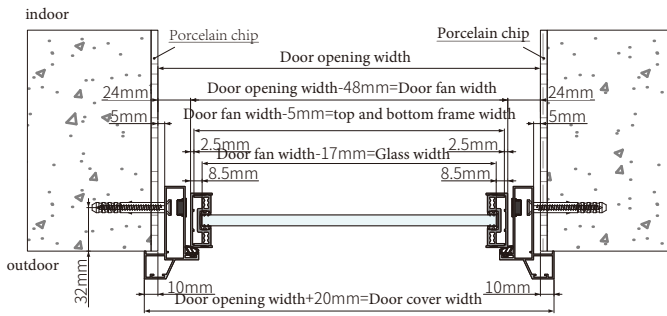
The front view of the door opening



Cross section of the dooropening

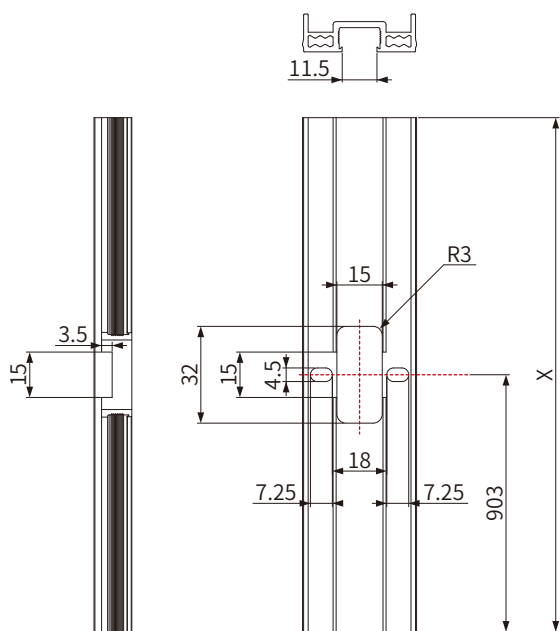


Top view of the door opening

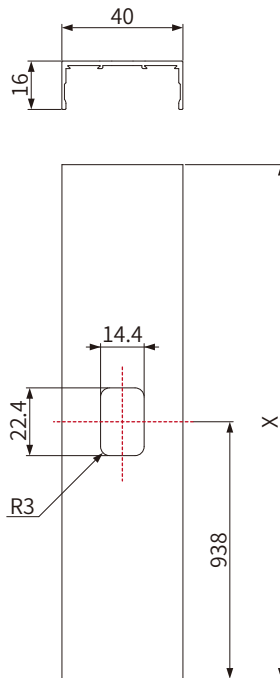


Processing parameter

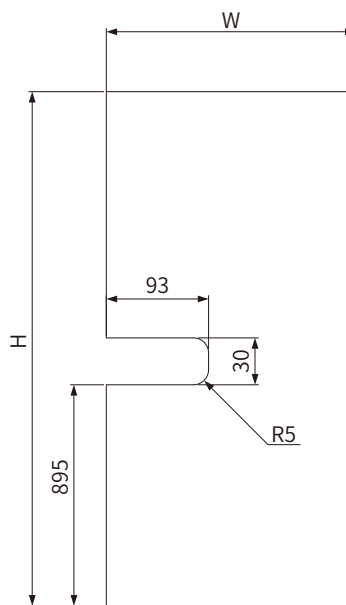
40 Door installation 75 Lock body openings



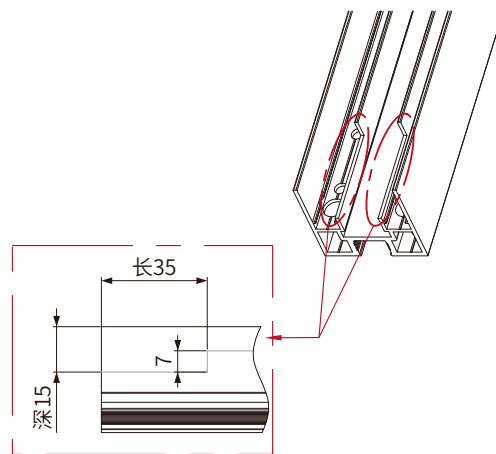
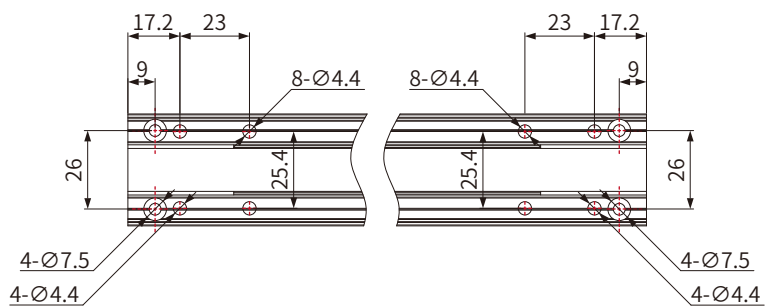
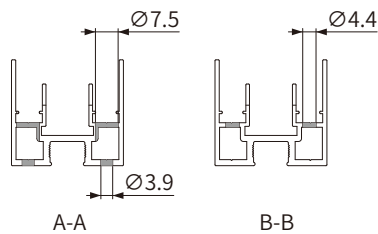
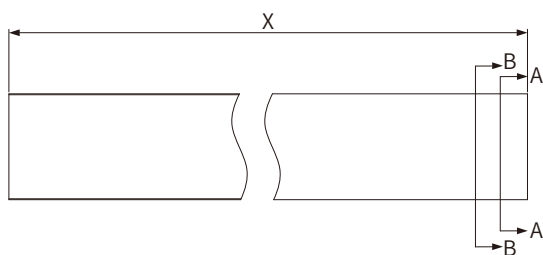
40 Openings of door sealing plates



Drawings of glass openings

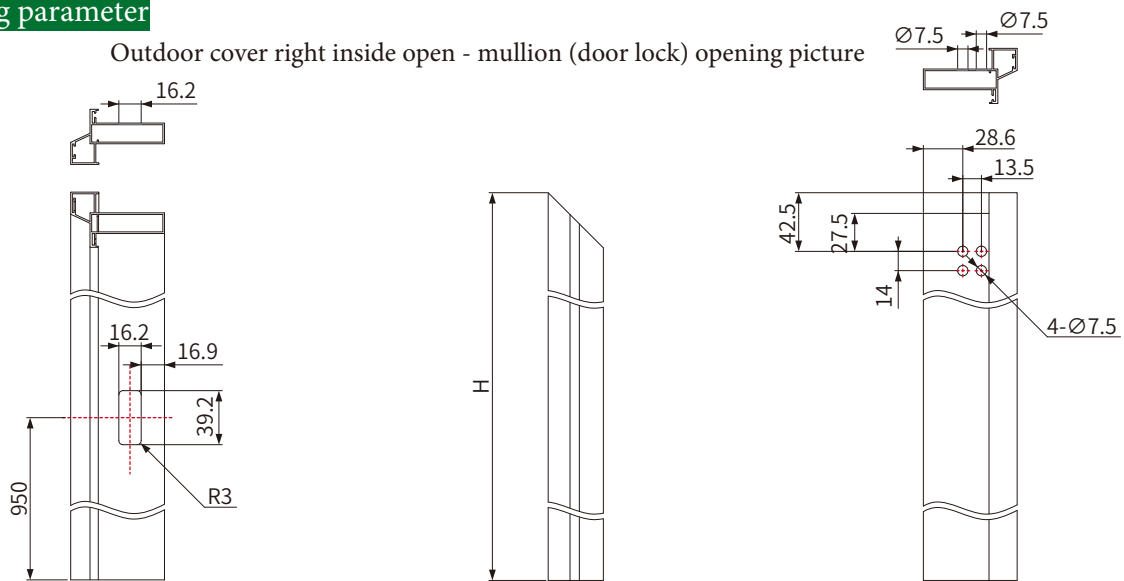


40 Openings of door sealing plates

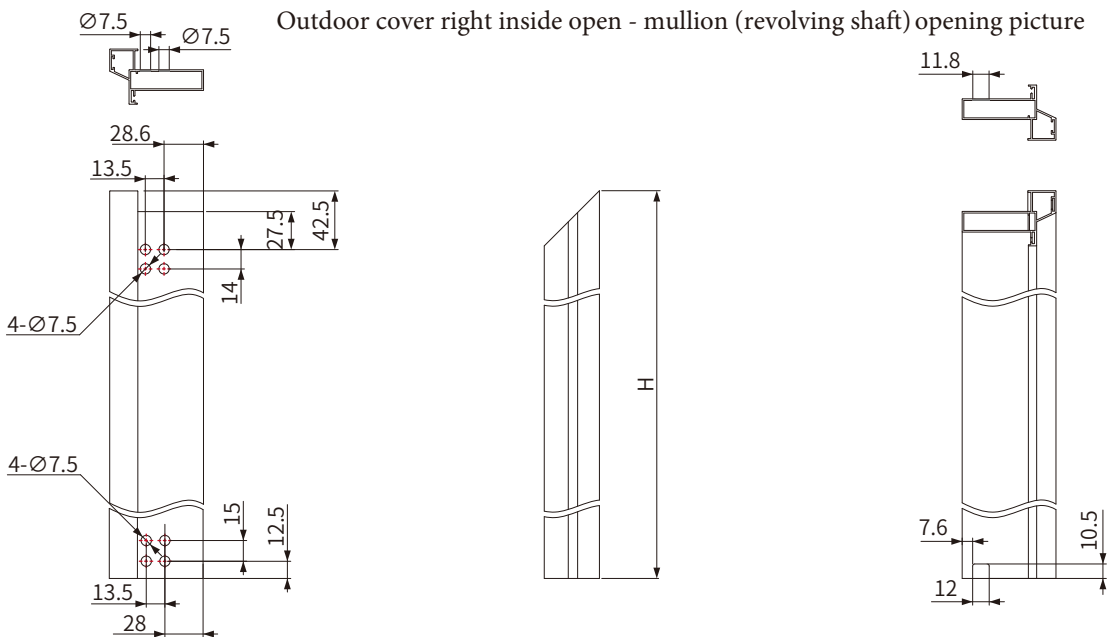


Processing parameter

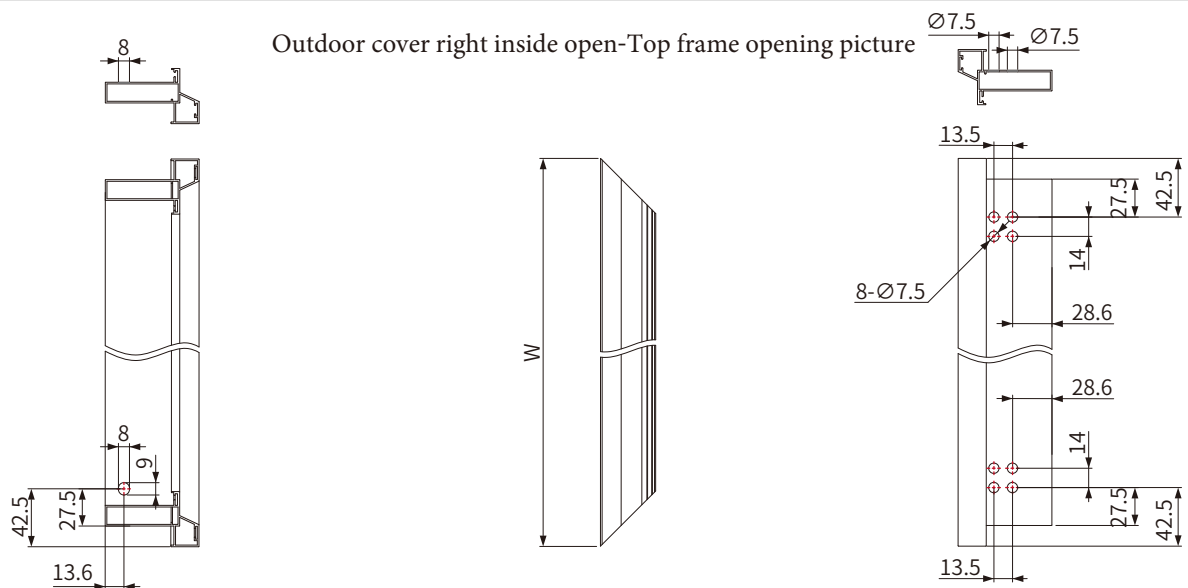
Outdoor cover right inside open - mullion (door lock) opening picture



Outdoor cover right inside open - mullion (revolving shaft) opening picture

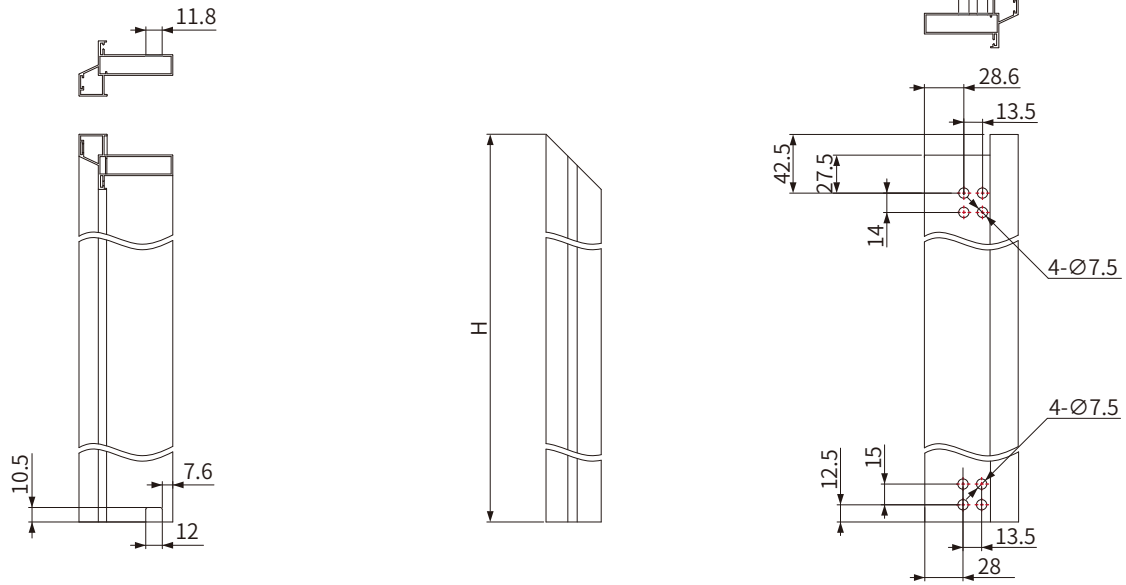


Outdoor cover right inside open-Top frame opening picture

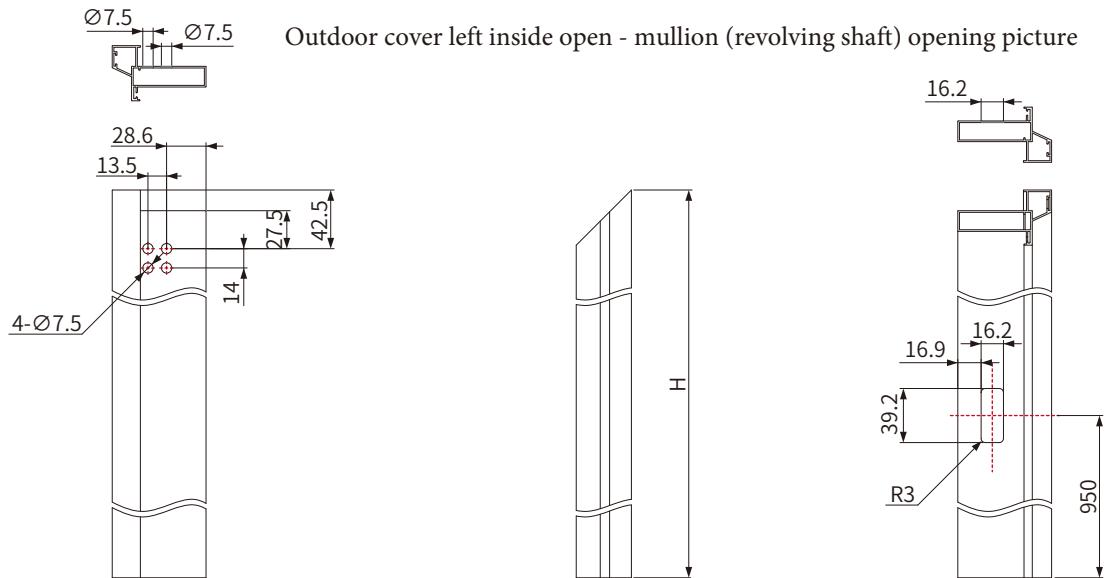


Processing parameter

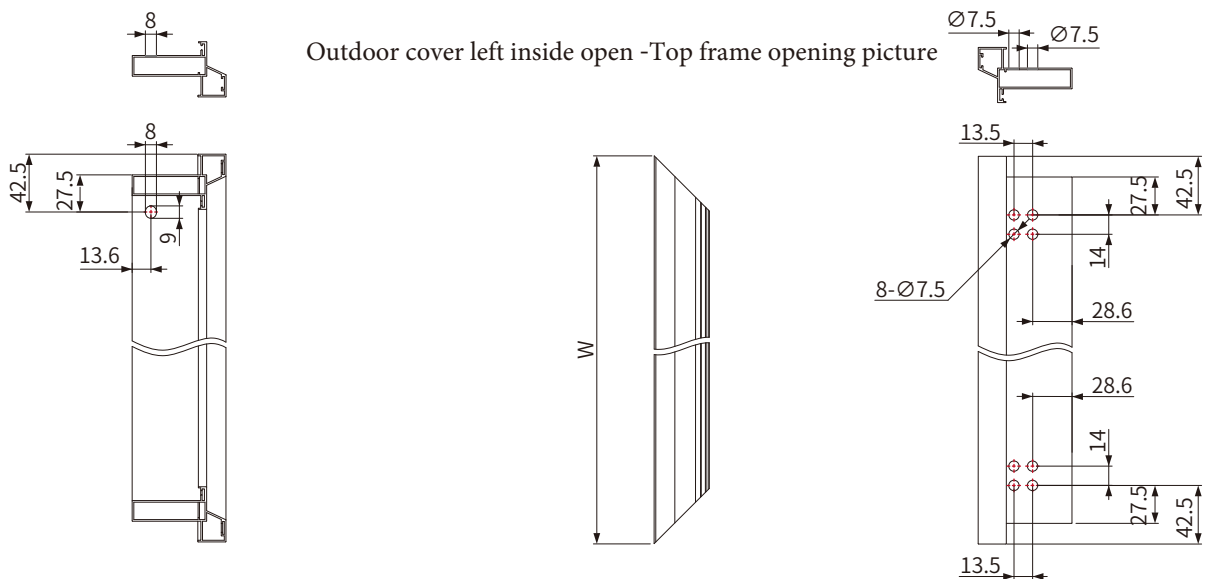
Outdoor cover left inside open - mullion (door lock) opening picture



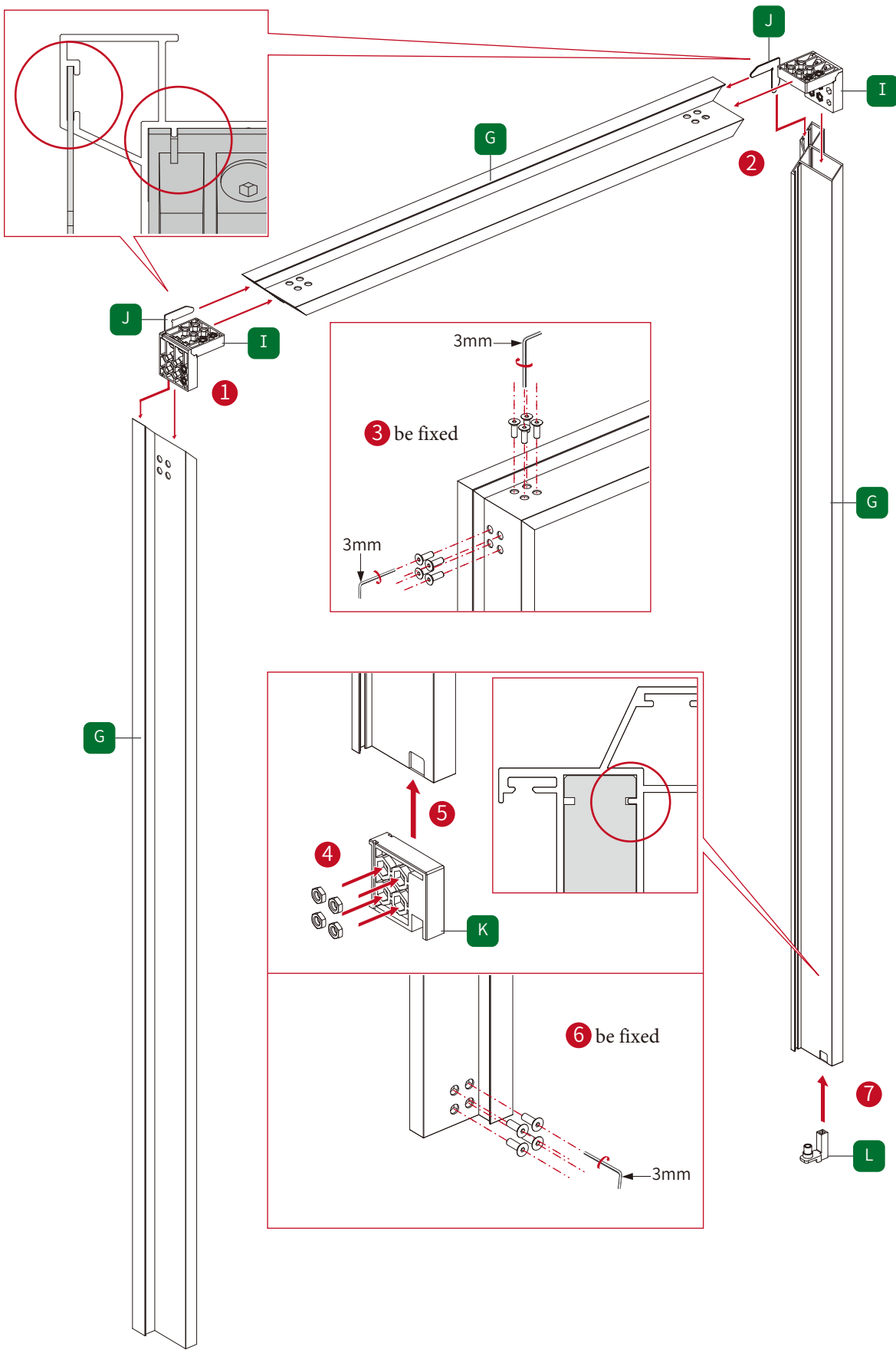
Outdoor cover left inside open - mullion (revolving shaft) opening picture



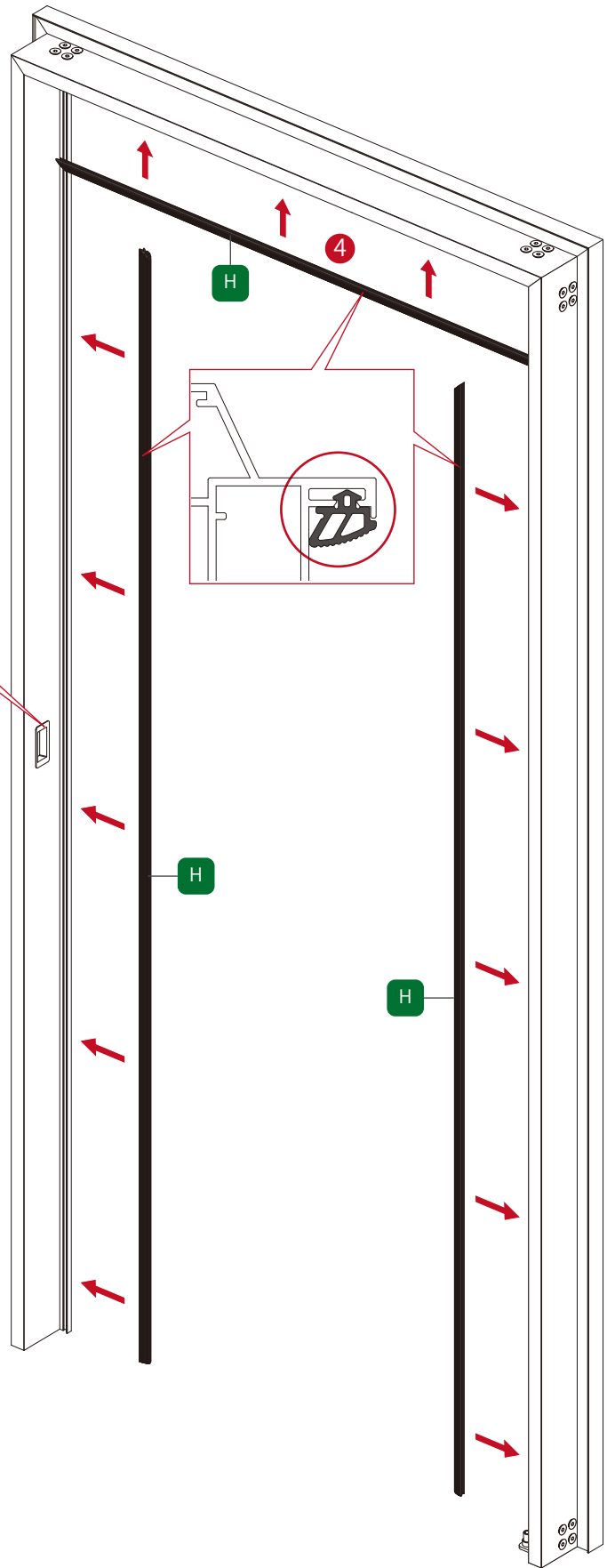
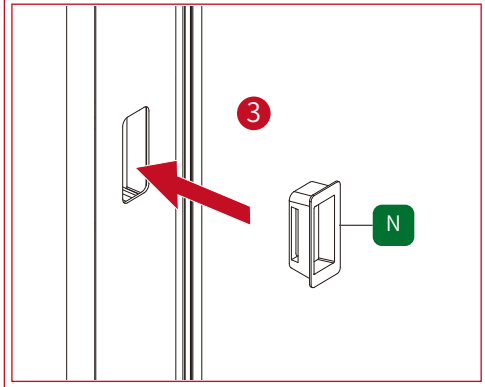
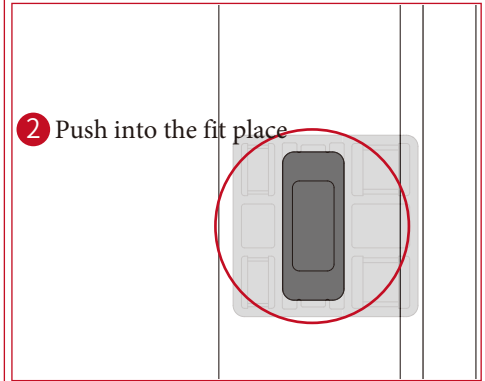
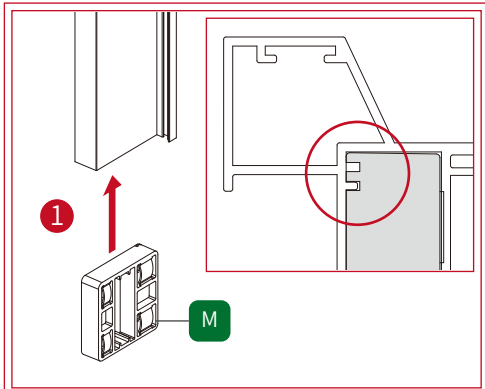
Outdoor cover left inside open -Top frame opening picture



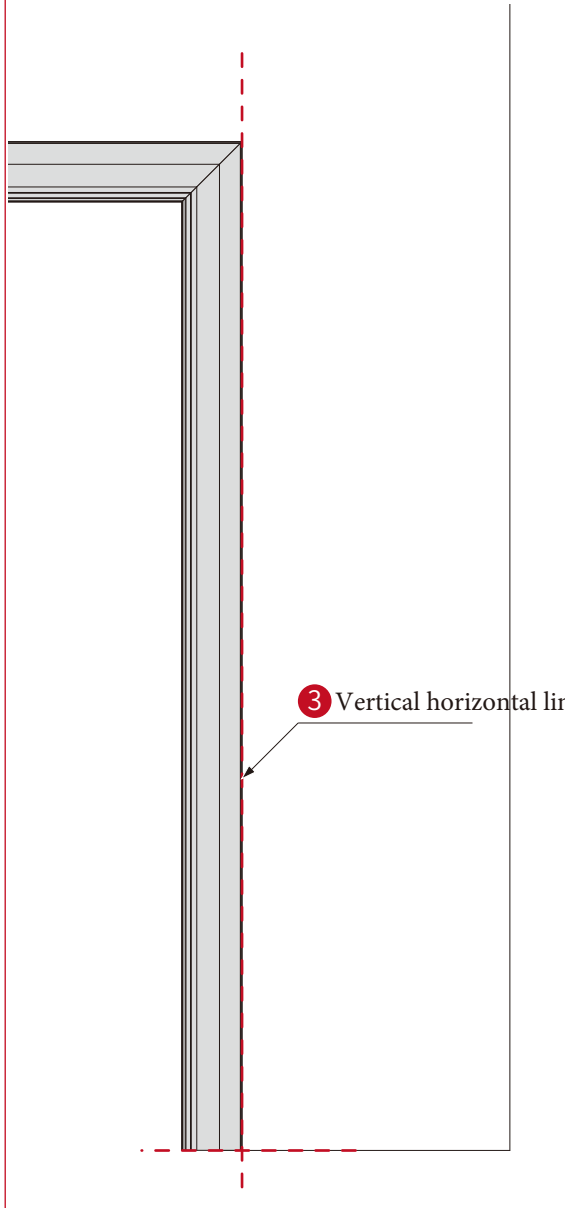
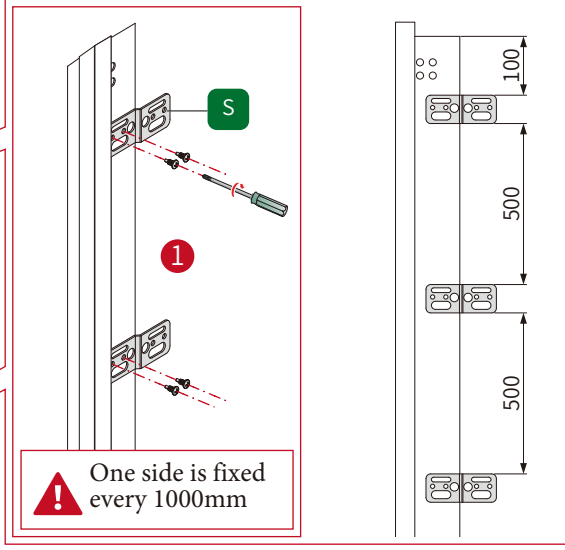
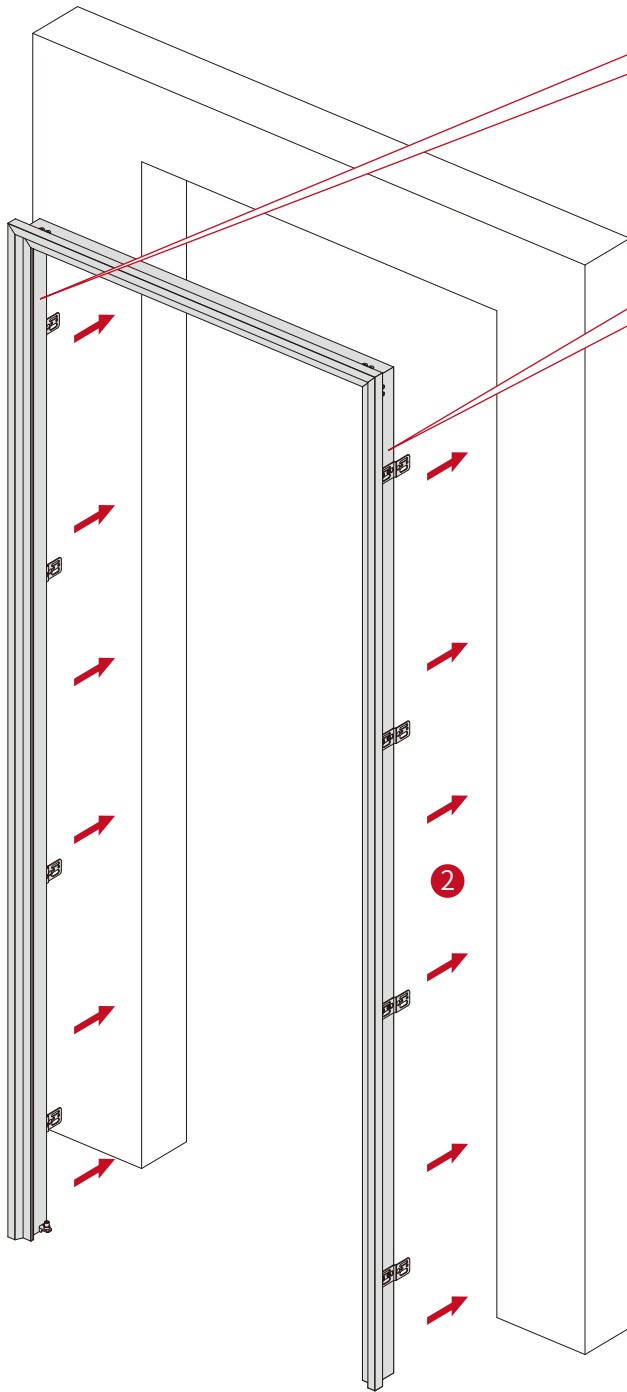
1-1 Install the flat plane door cover accessories



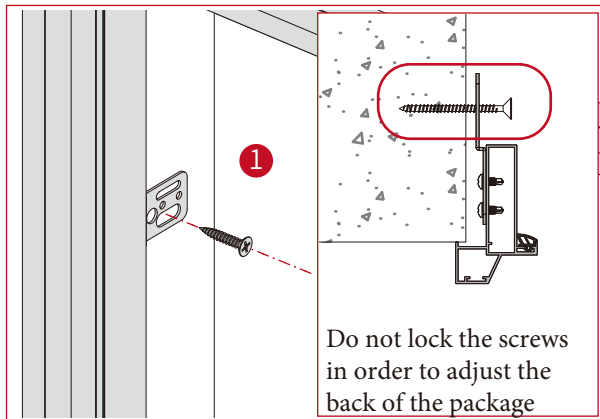
1-2 Install the flat plane door cover accessories



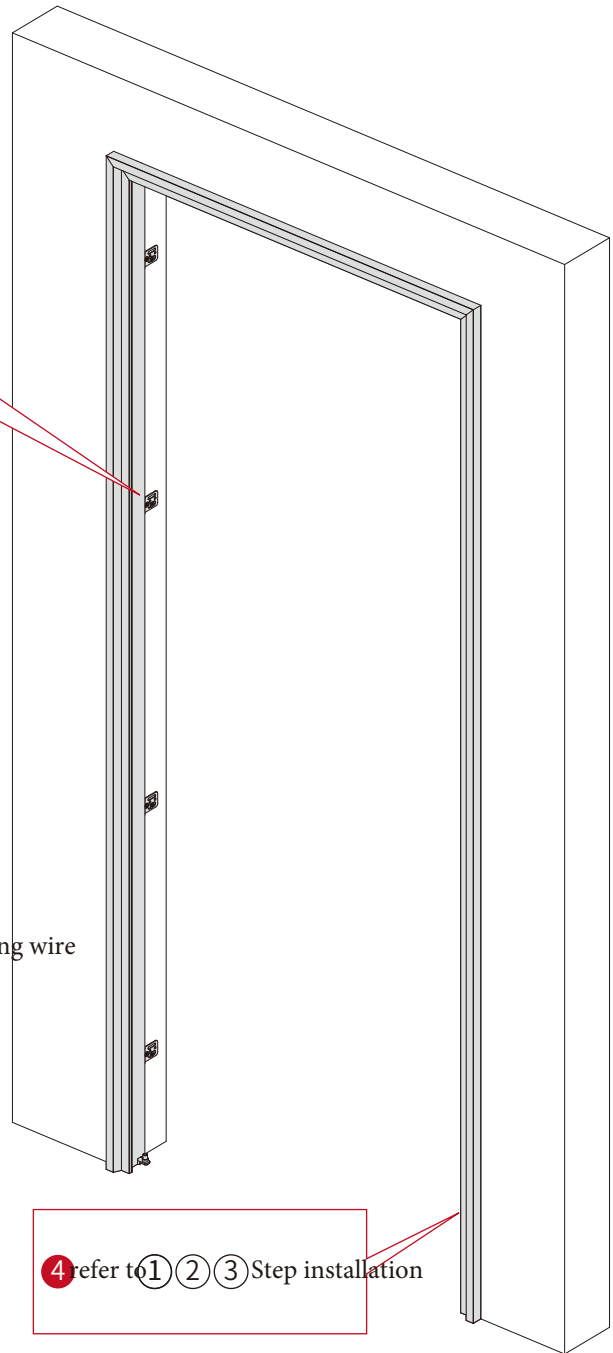
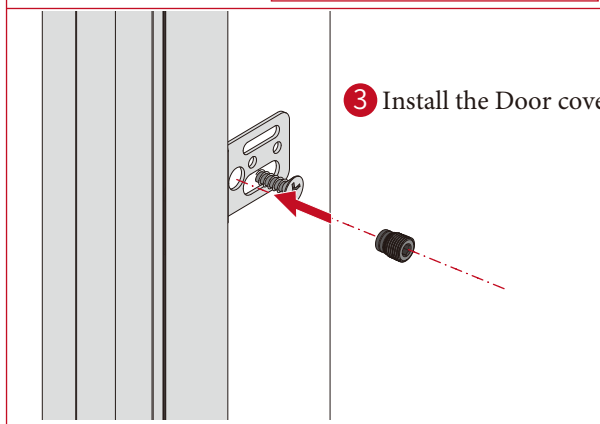
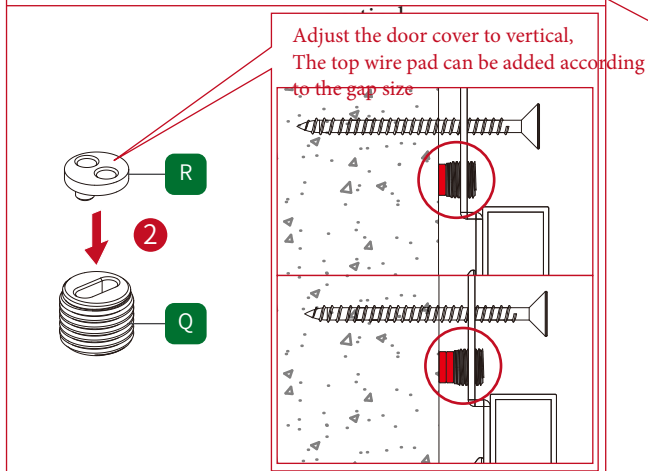
2-1 Install the flat plane Outdoor cover



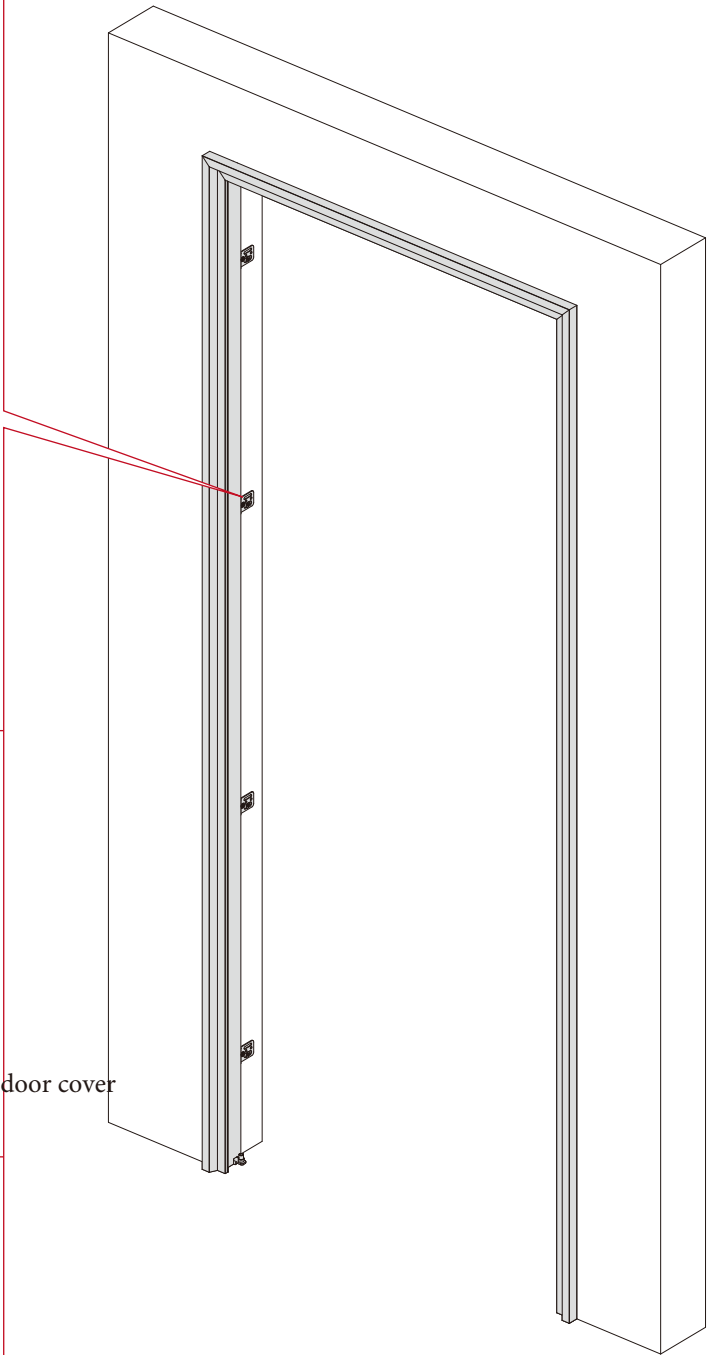
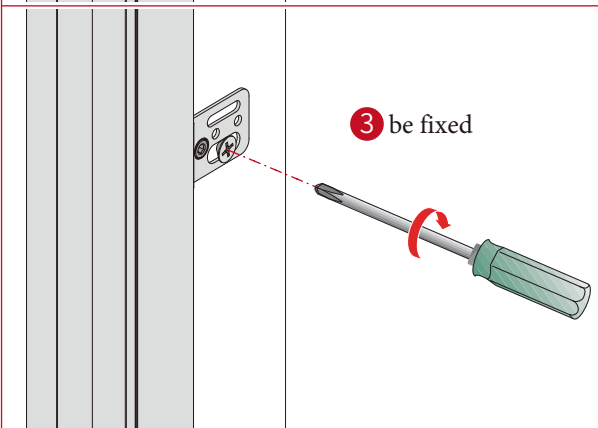
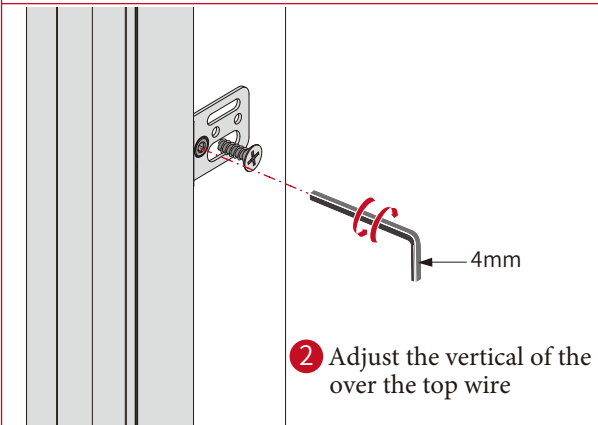
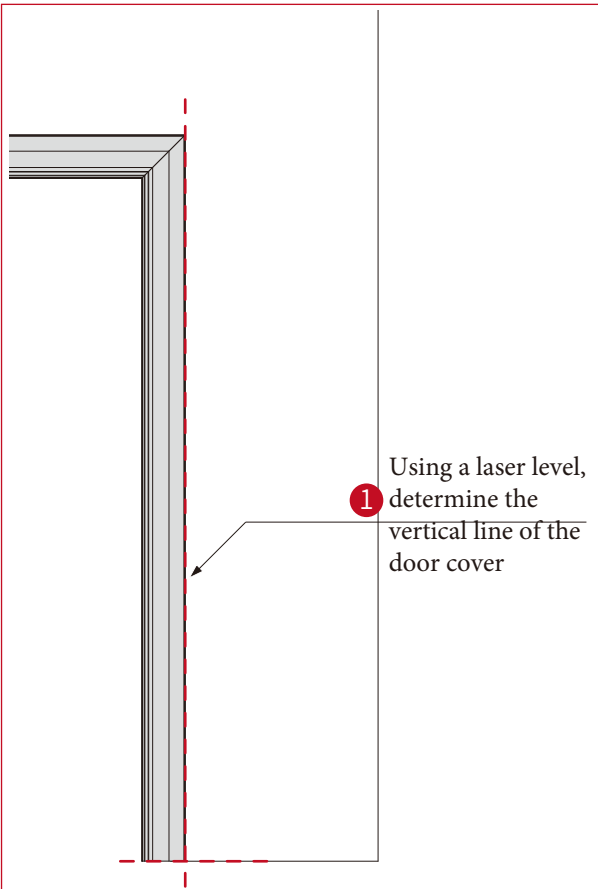
2-2 Install the flat plane Outdoor cover



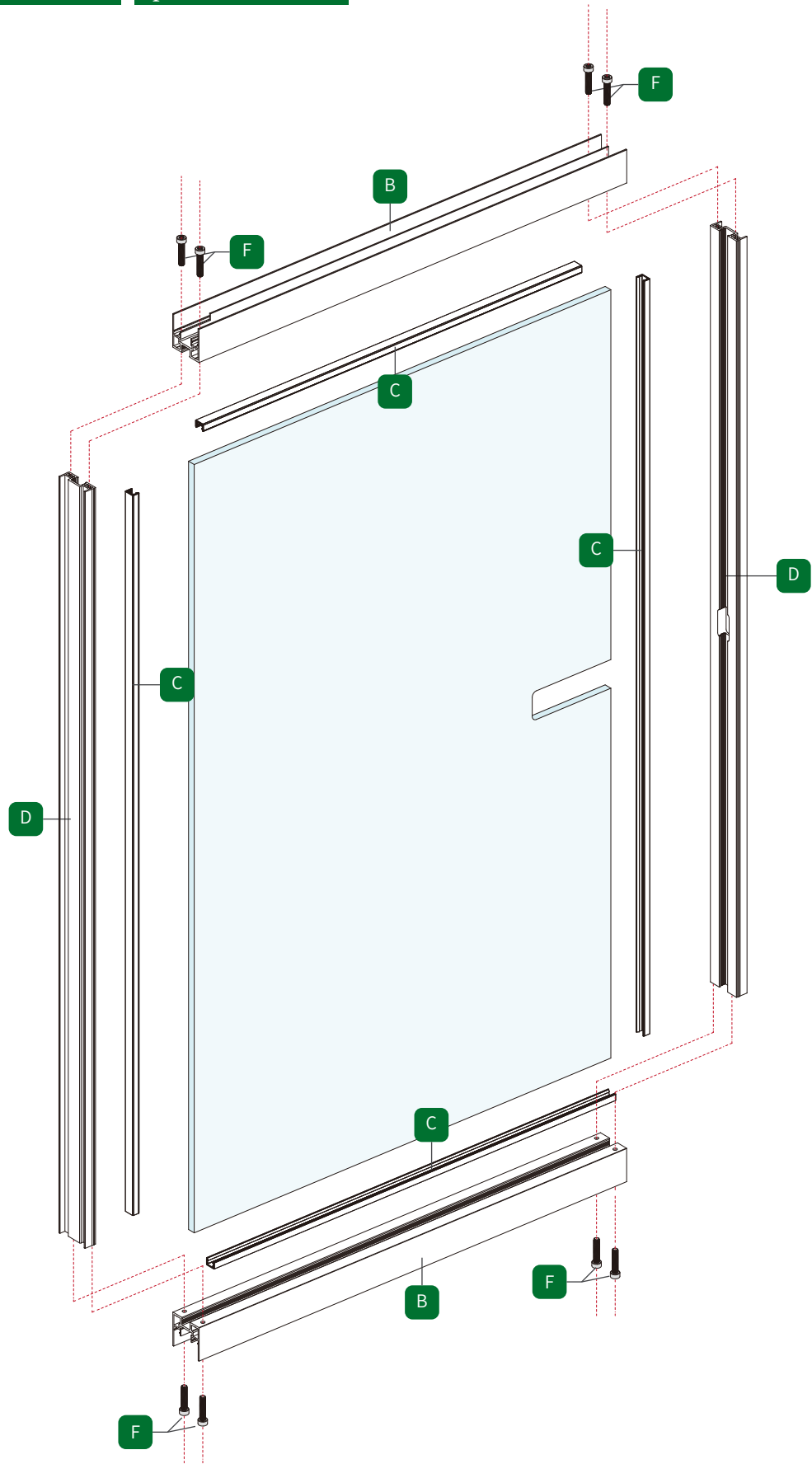
Do not lock the screws in order to adjust the back of the package



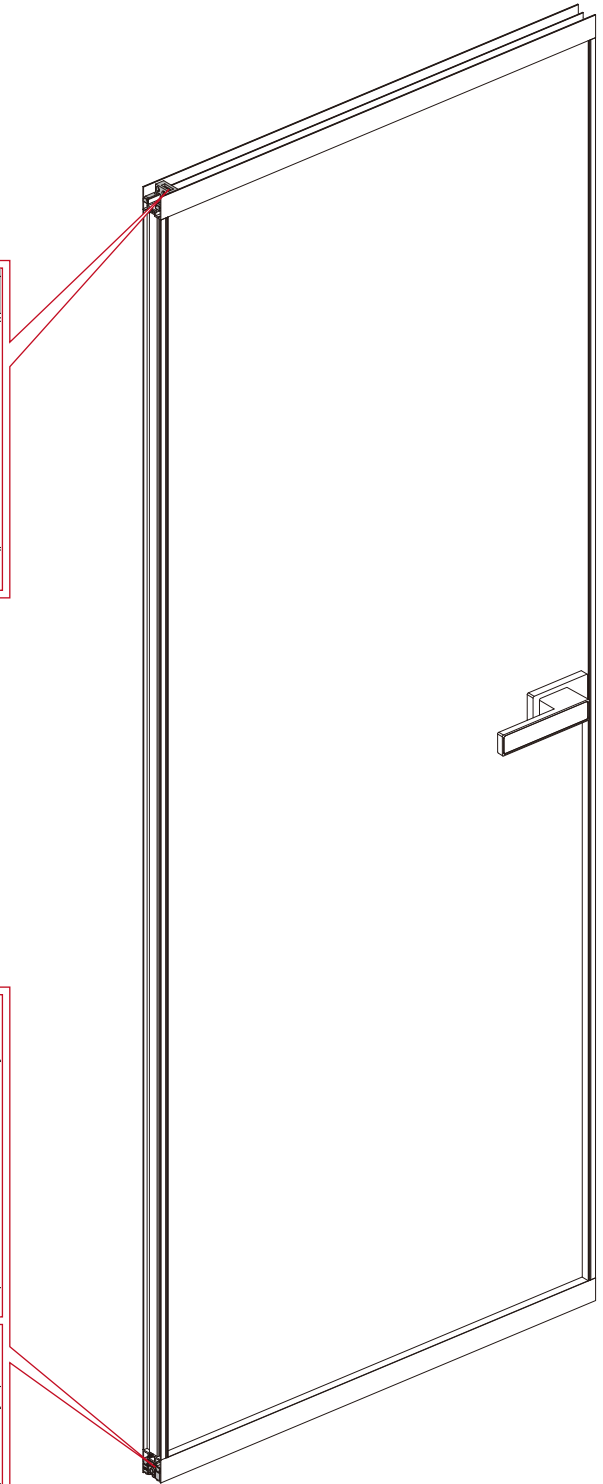
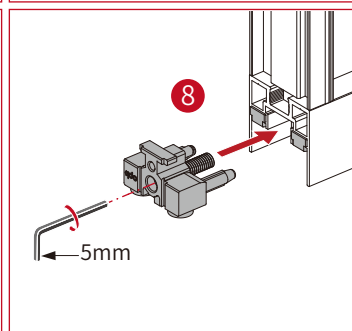
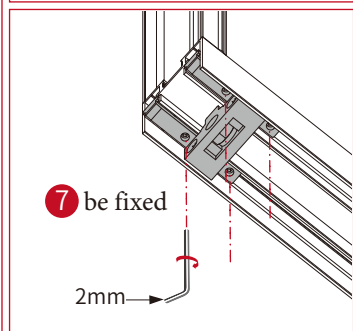
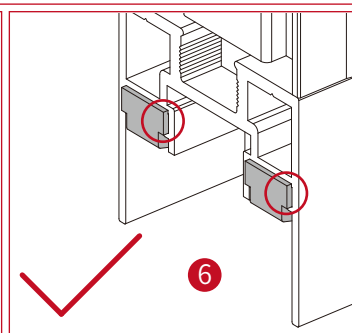
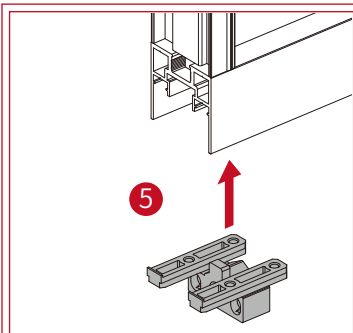
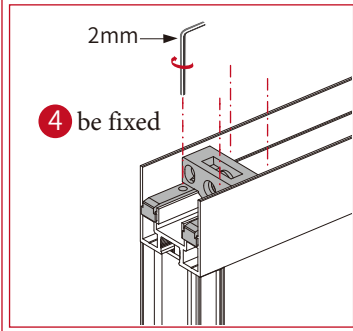
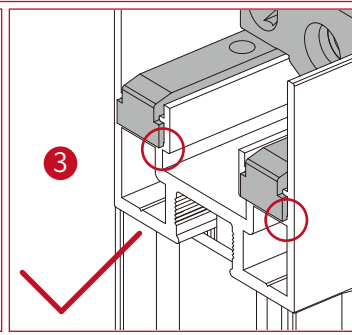
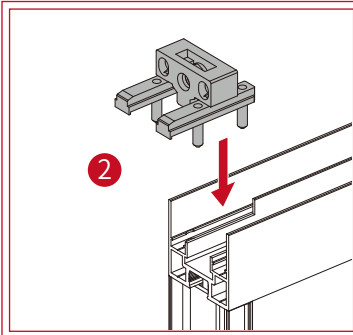
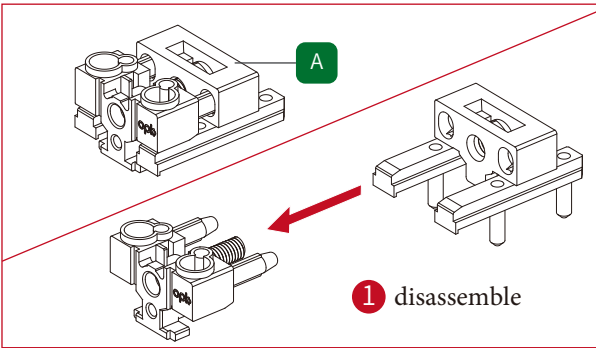
3 Adjust the balance of the flat plane outdoor cover



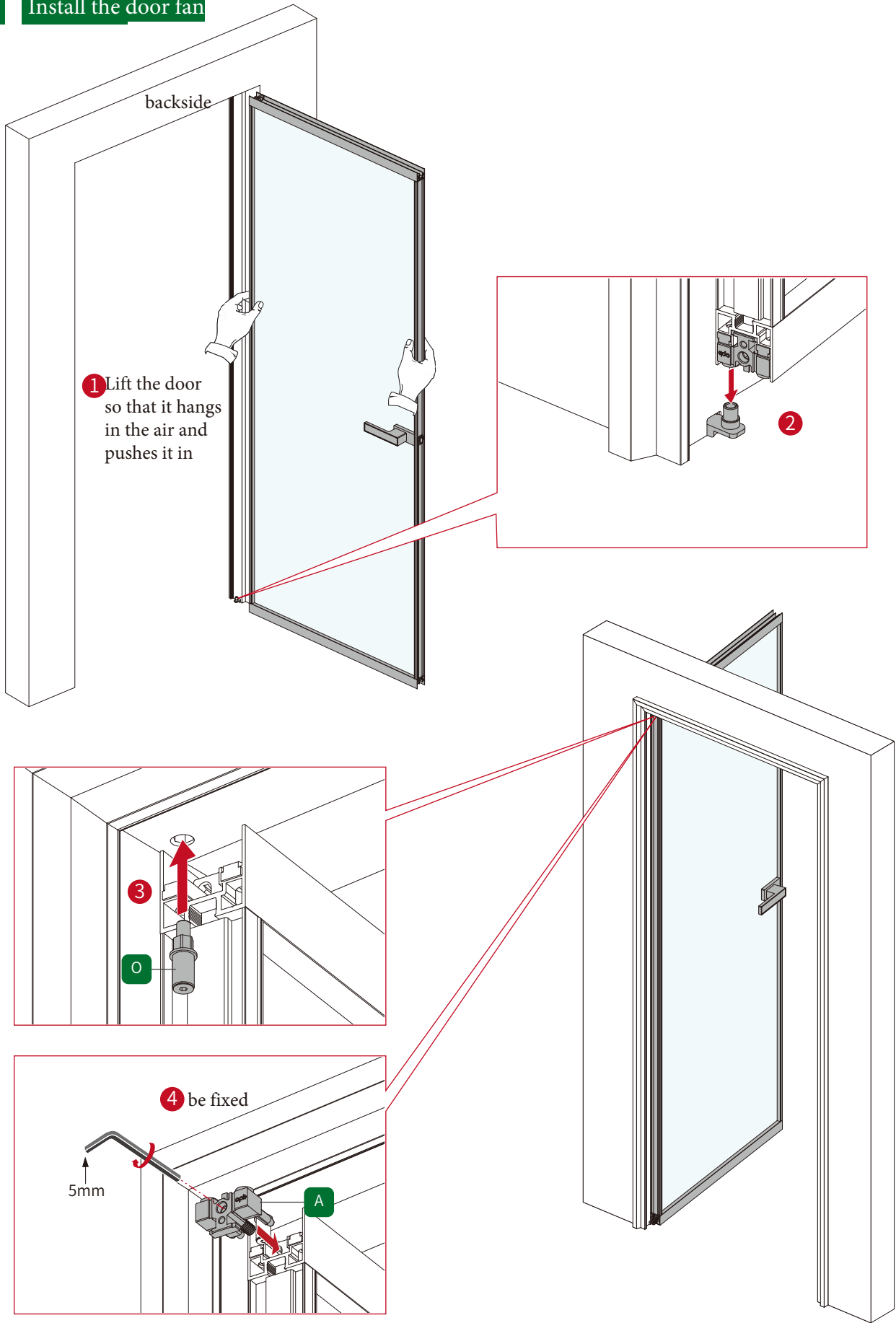
4 Slot size of profile Spliced door frame



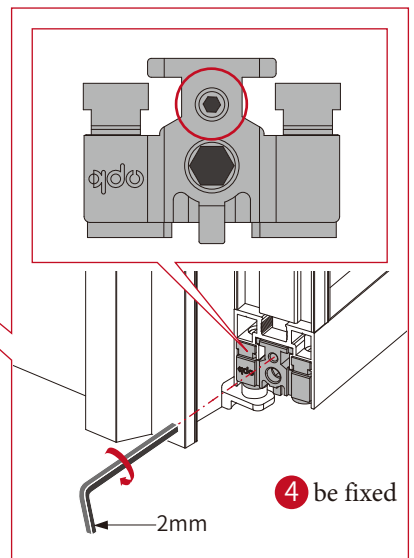
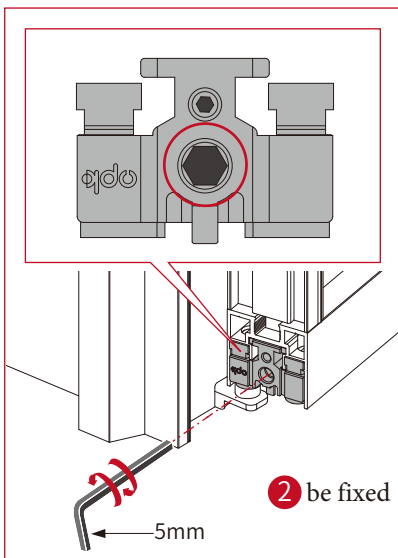
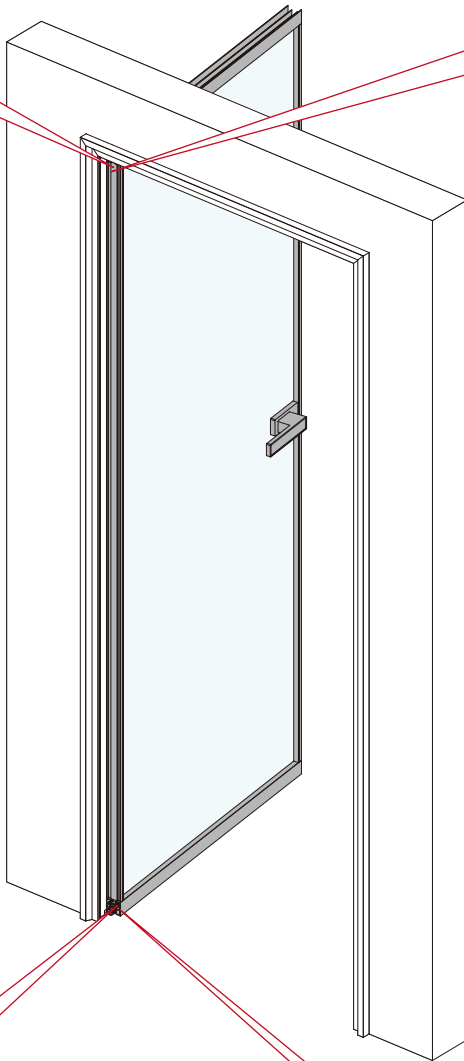
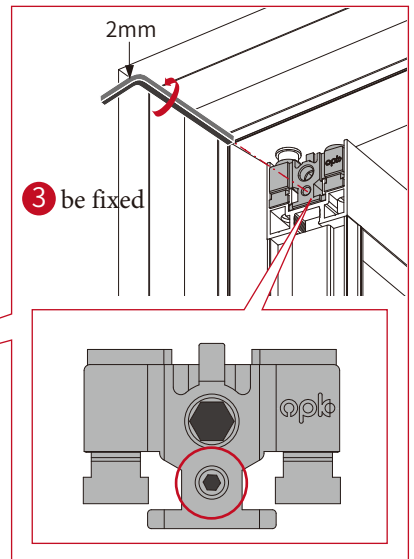
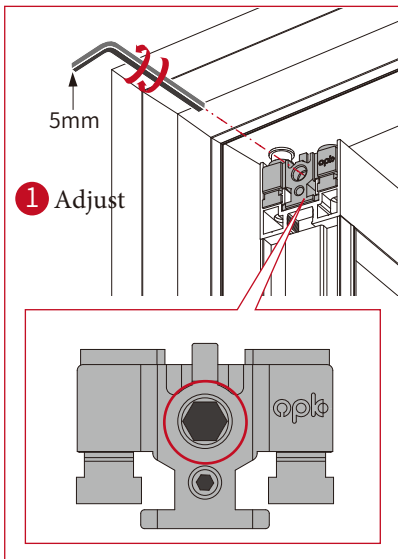
5 Install door fan accessories



6 Install the door fan



7 Adjust the balance of the door fan



8 Install decorative cover

