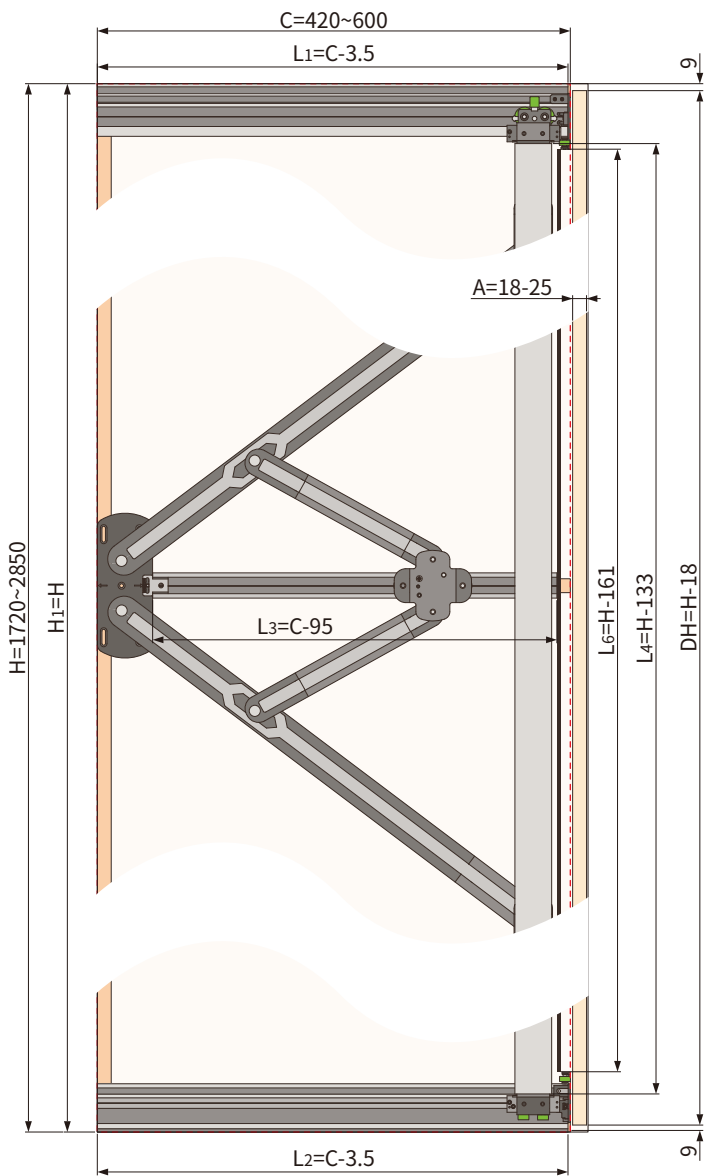
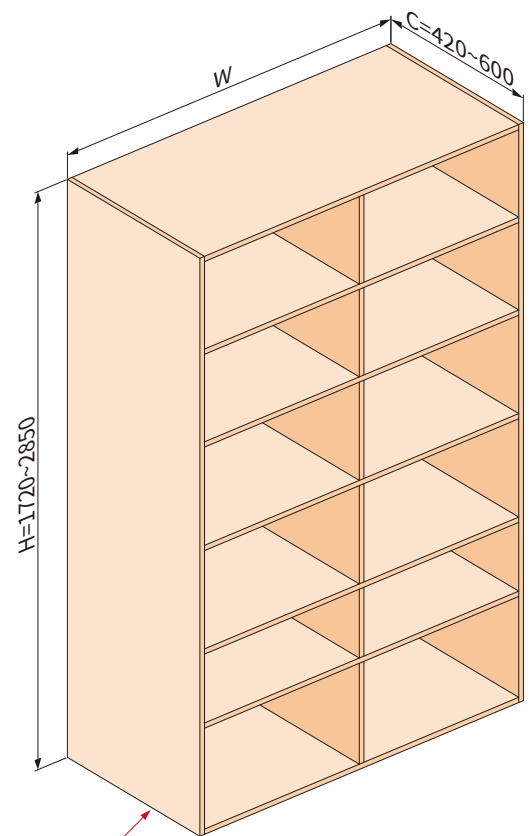
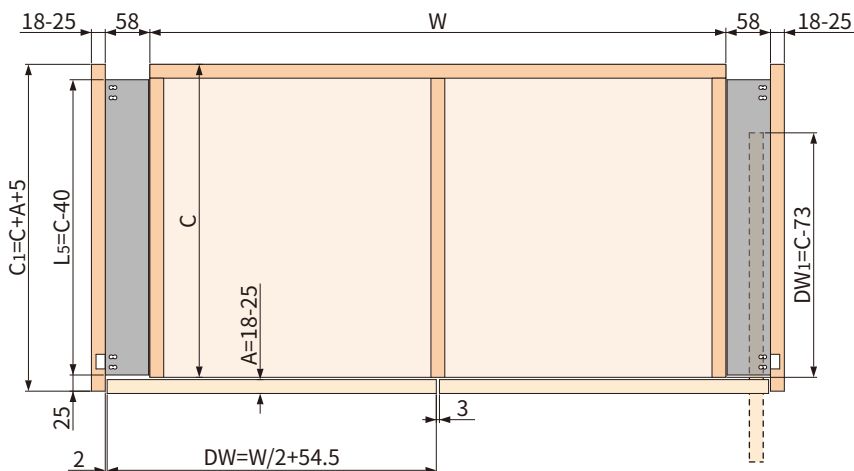


Installation parameter

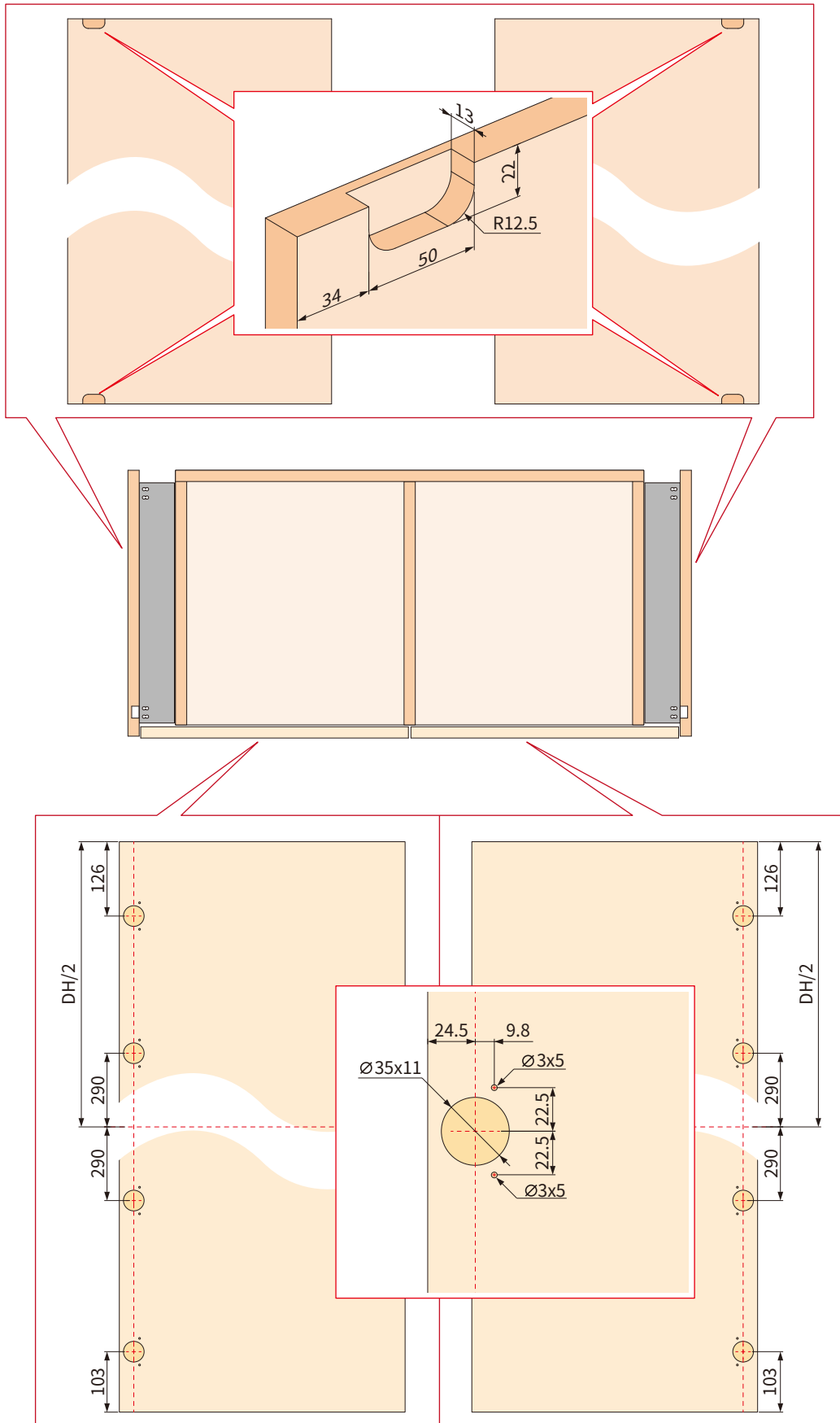


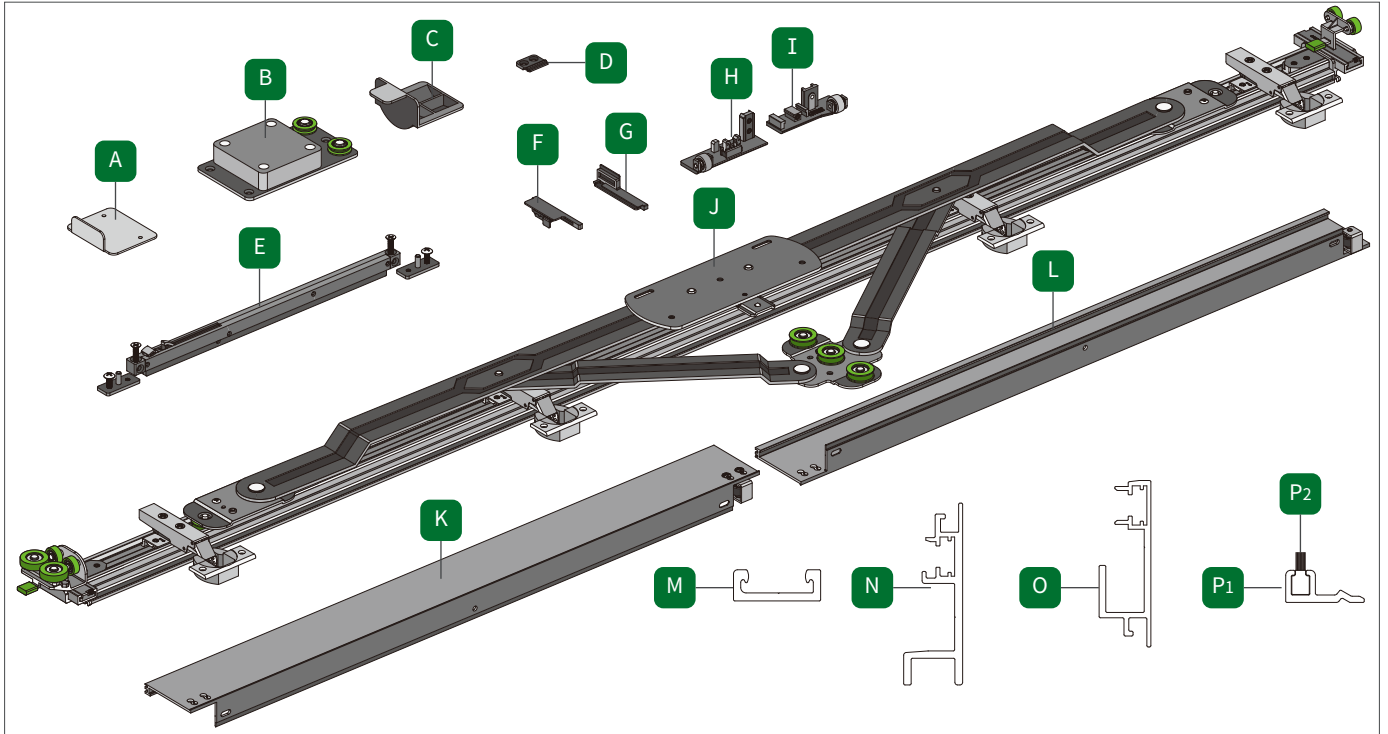
| | | | |
|-----|---------------------------------|----|---|
| A | The thickness of the door panel | L1 | The length of the upper track |
| C | The depth of the cabinet | L2 | The length of the bottom track |
| C1 | The depth of the seal panel | L3 | The length of the middle track |
| H | The height of the cabinet | L4 | The height of the axis |
| H1 | The height of the seal panel | L5 | The length of the connected panel |
| DH | The height of the door panel | L6 | The length of the profile for weather strip & brusher |
| DW | The width of the door panel | | |
| DW1 | The depth of the pocket | W | The width of the cabinet |



Note: No Baseboard

Installation parameter

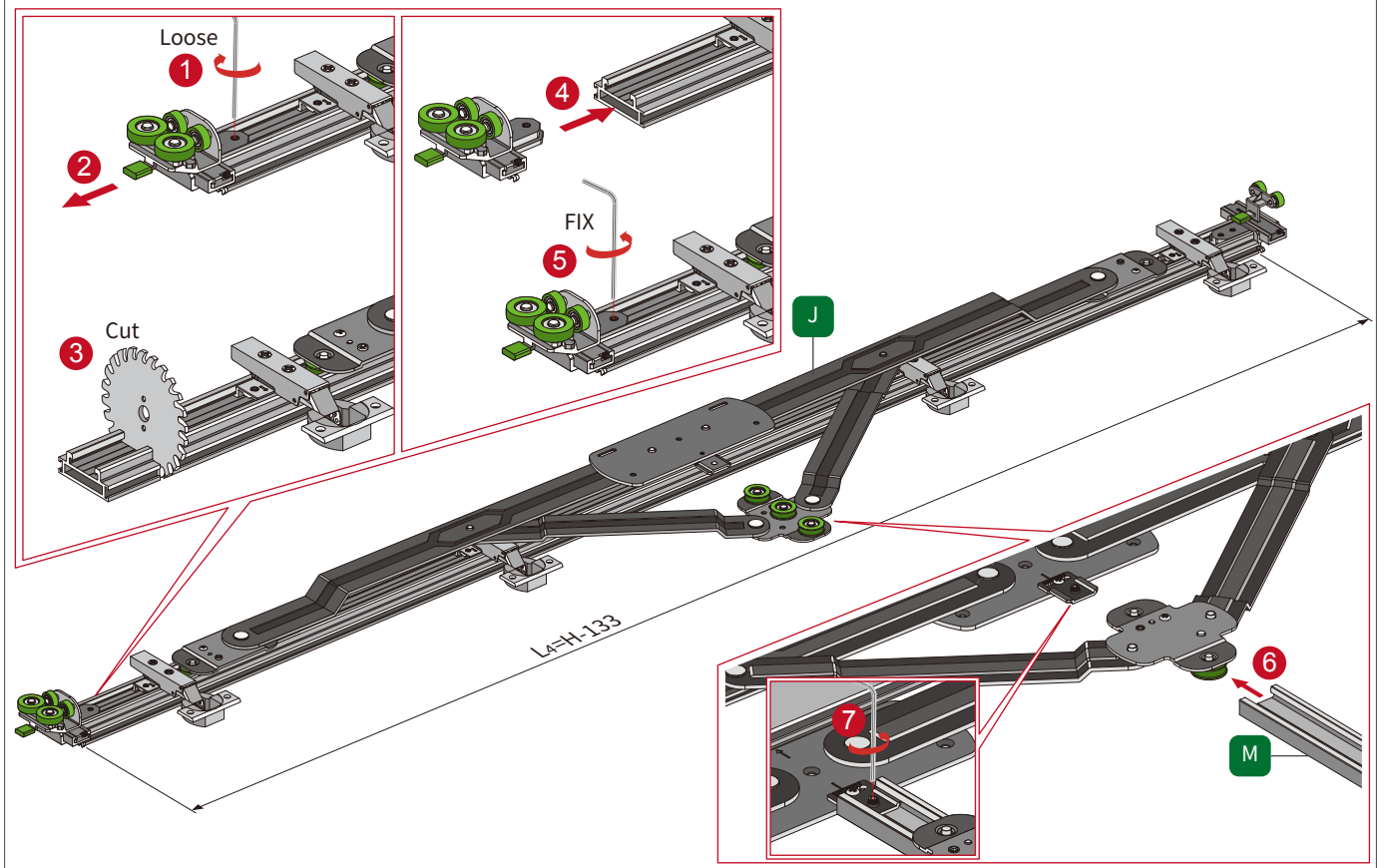




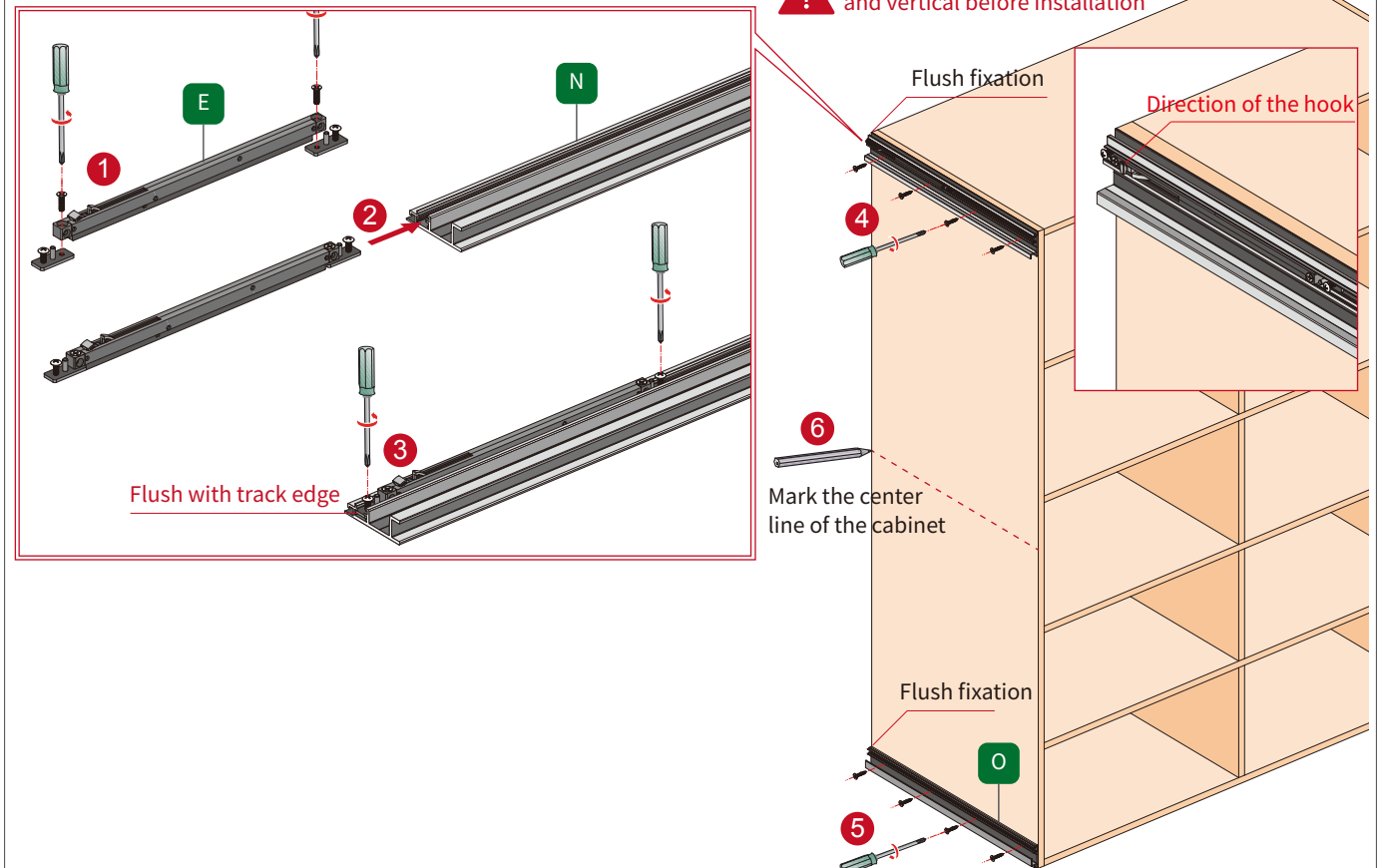
1 Cut profile



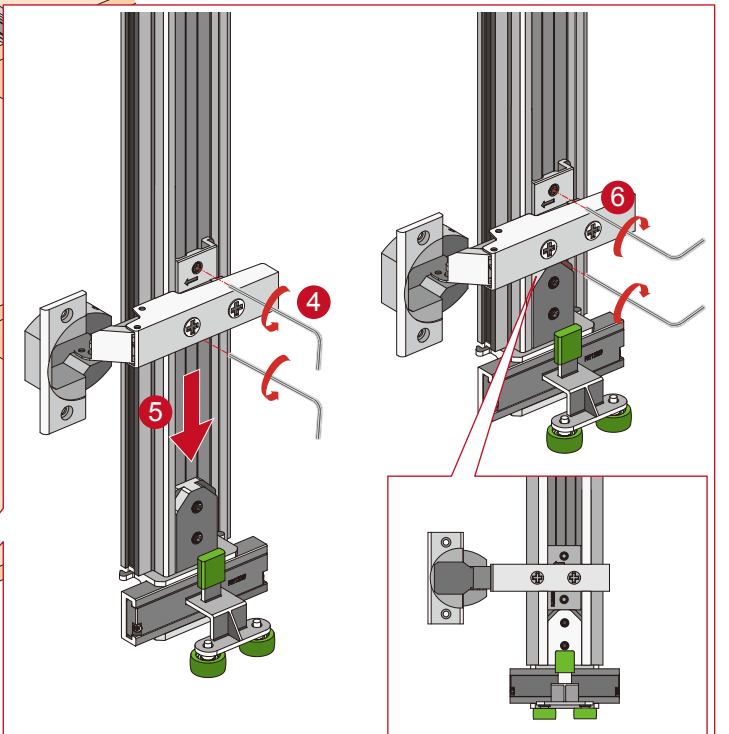
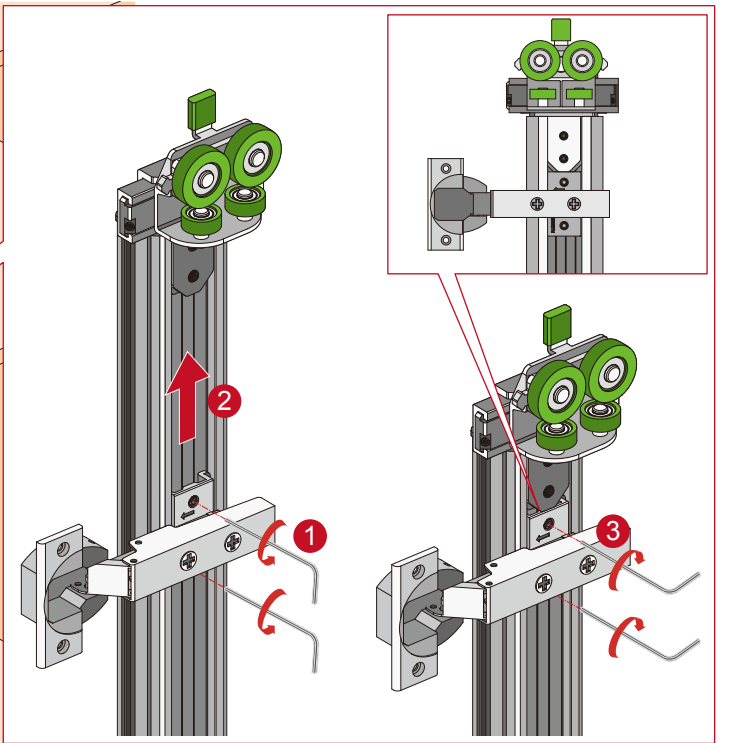
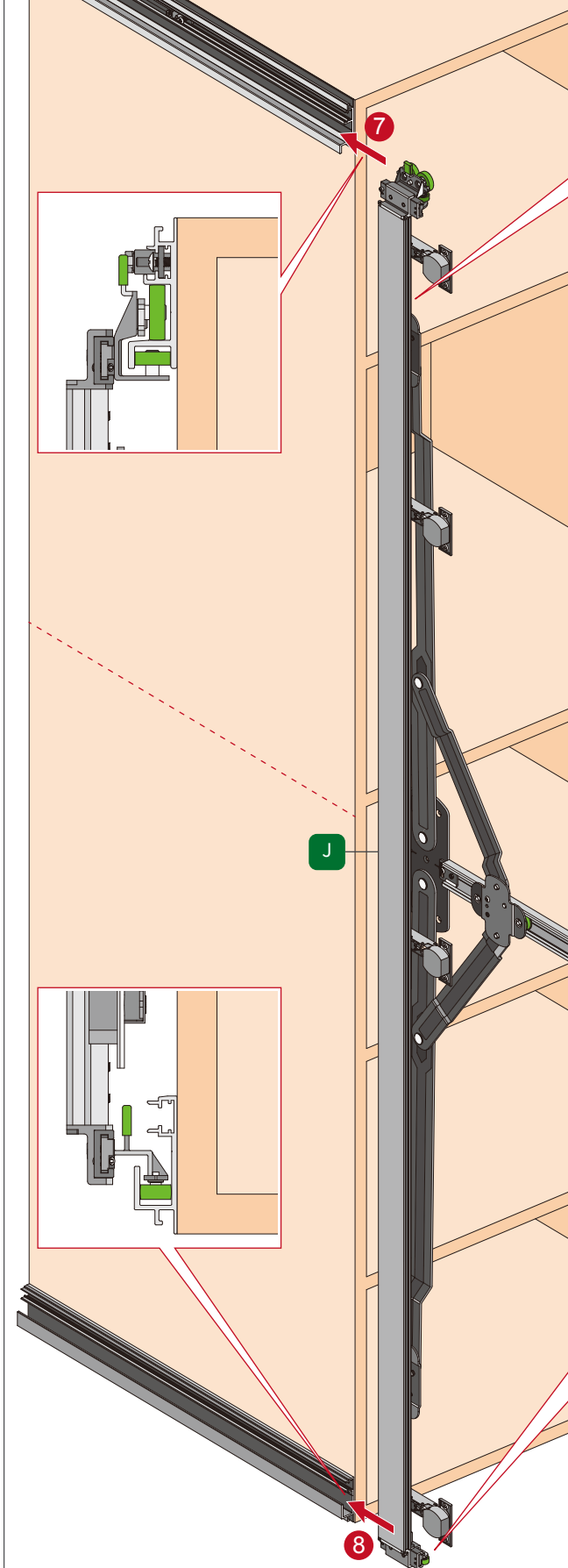
2 Cutting Center shaft Install the middle rail



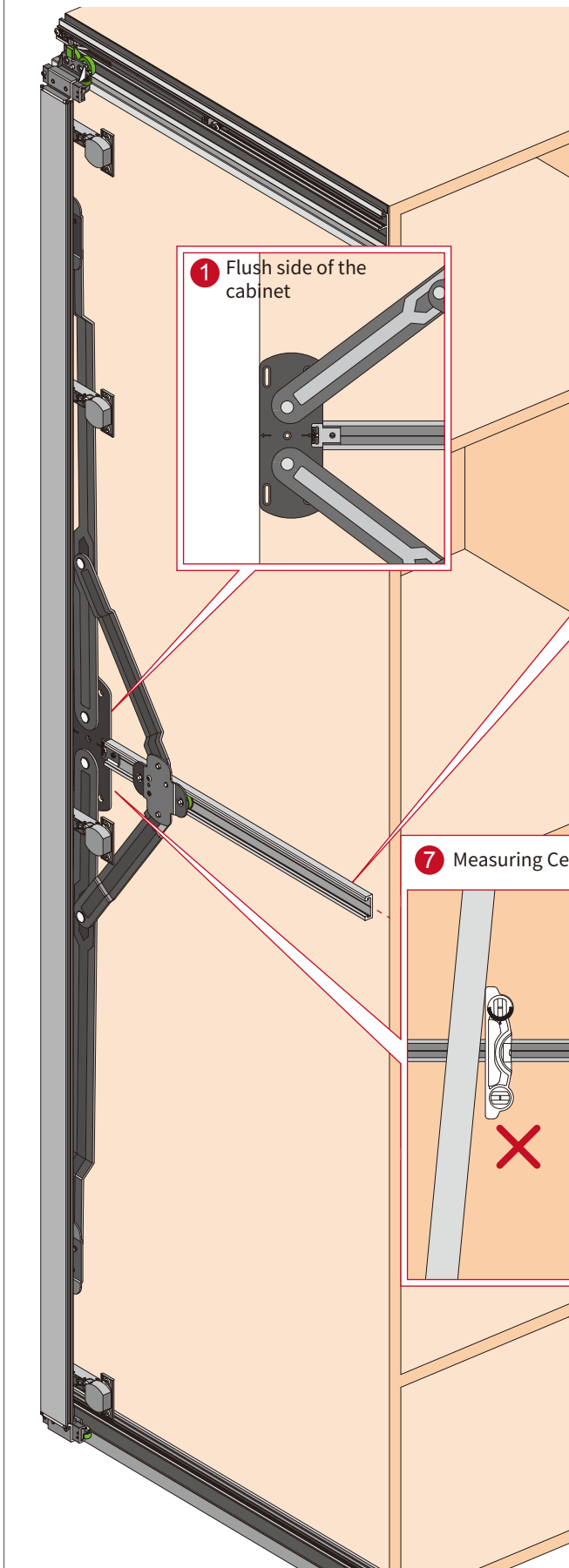
3 Install Upper Track & Lower Track



4-1 Mounting bracket



4-2 Mounting bracket



1 Flush side of the cabinet

2 Alignment of center rail to center line of cabinet

3 Fix a screw first

4 Make sure the mid-track is level

5 Fix the rest screws of the middle rail

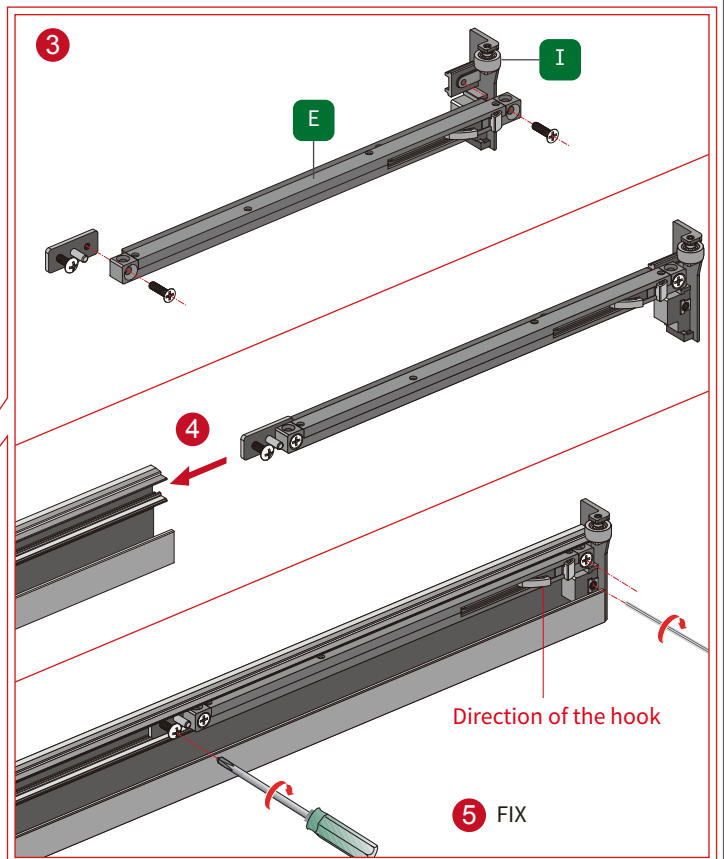
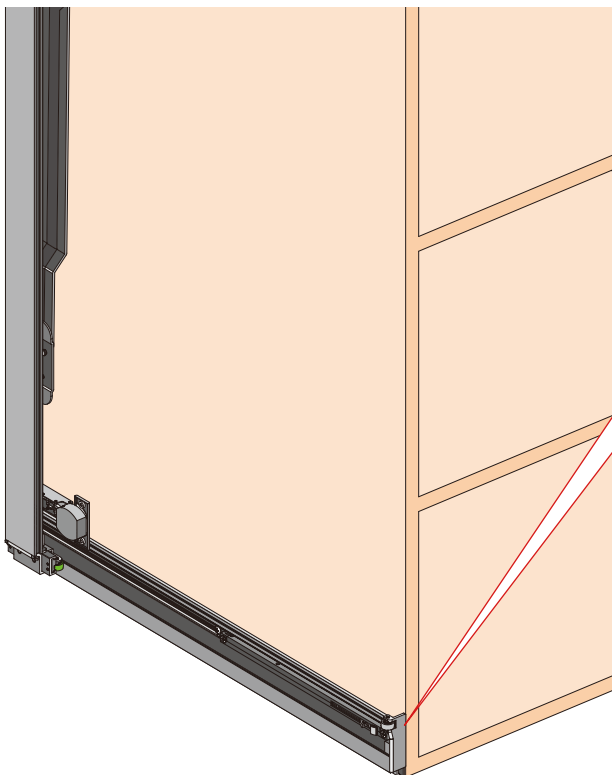
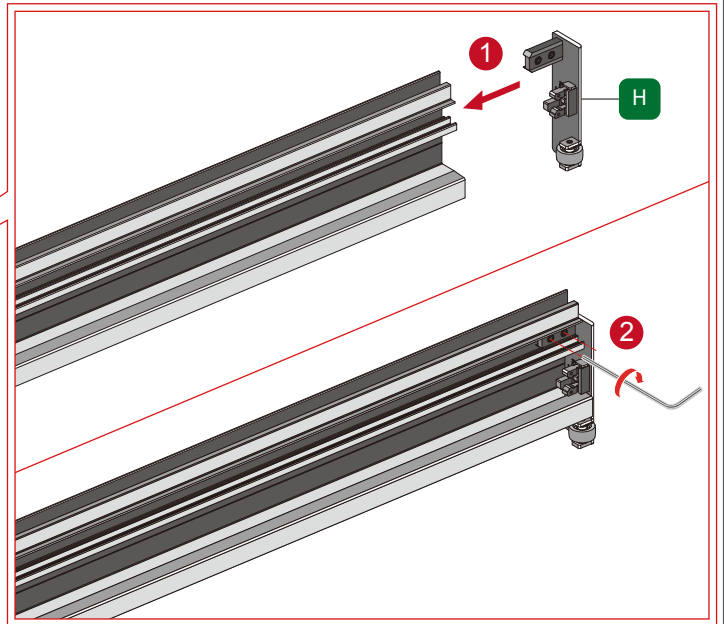
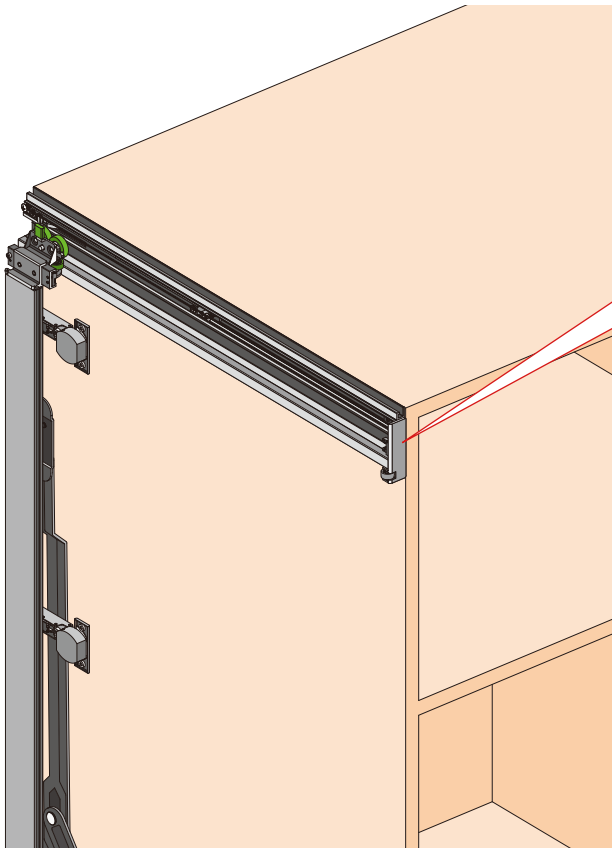
6 Fix the Long hole with screw, with semi-fixed state

7 Measuring Center axis level

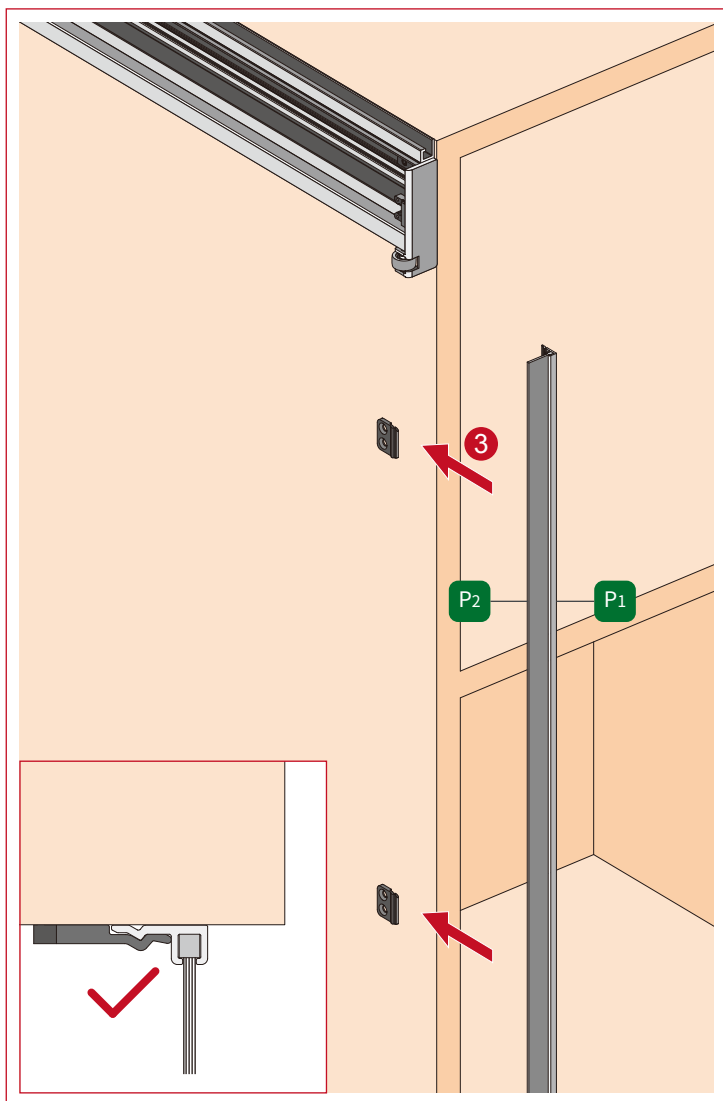
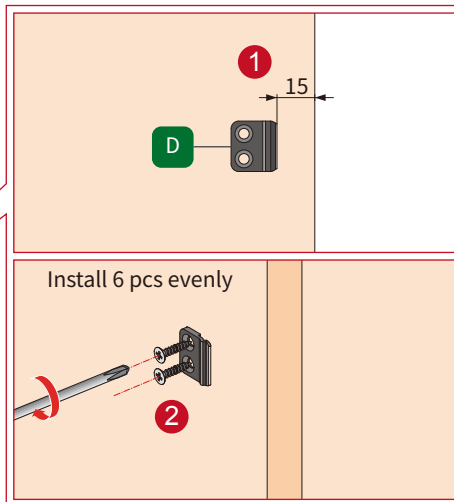
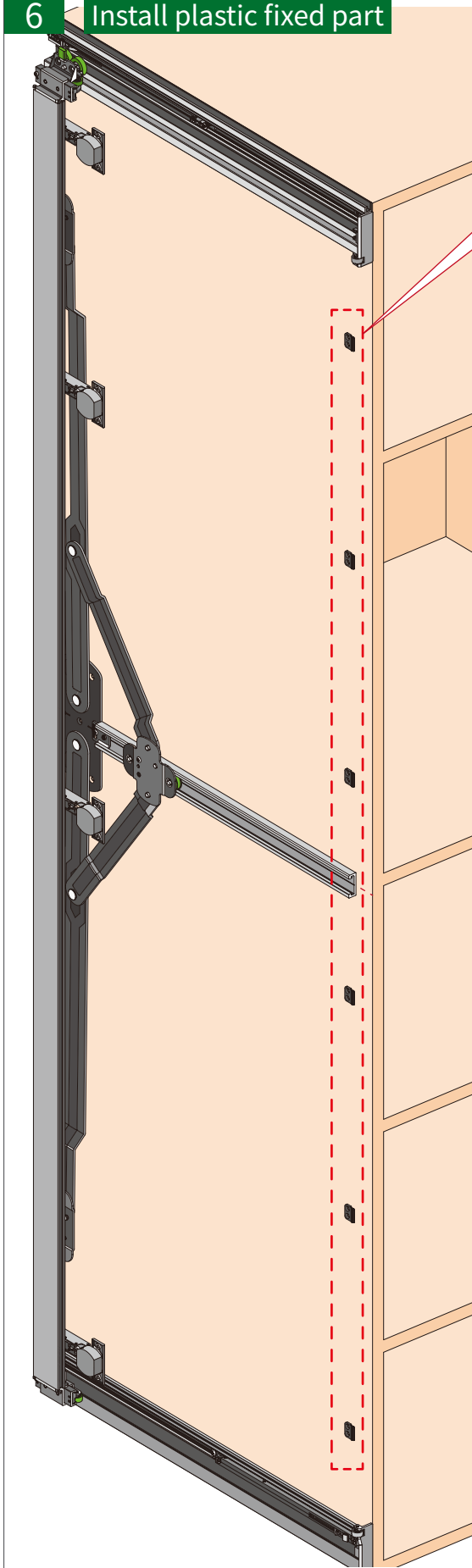
Loosen the screws, slightly adjust the screw up and down

8 FIX

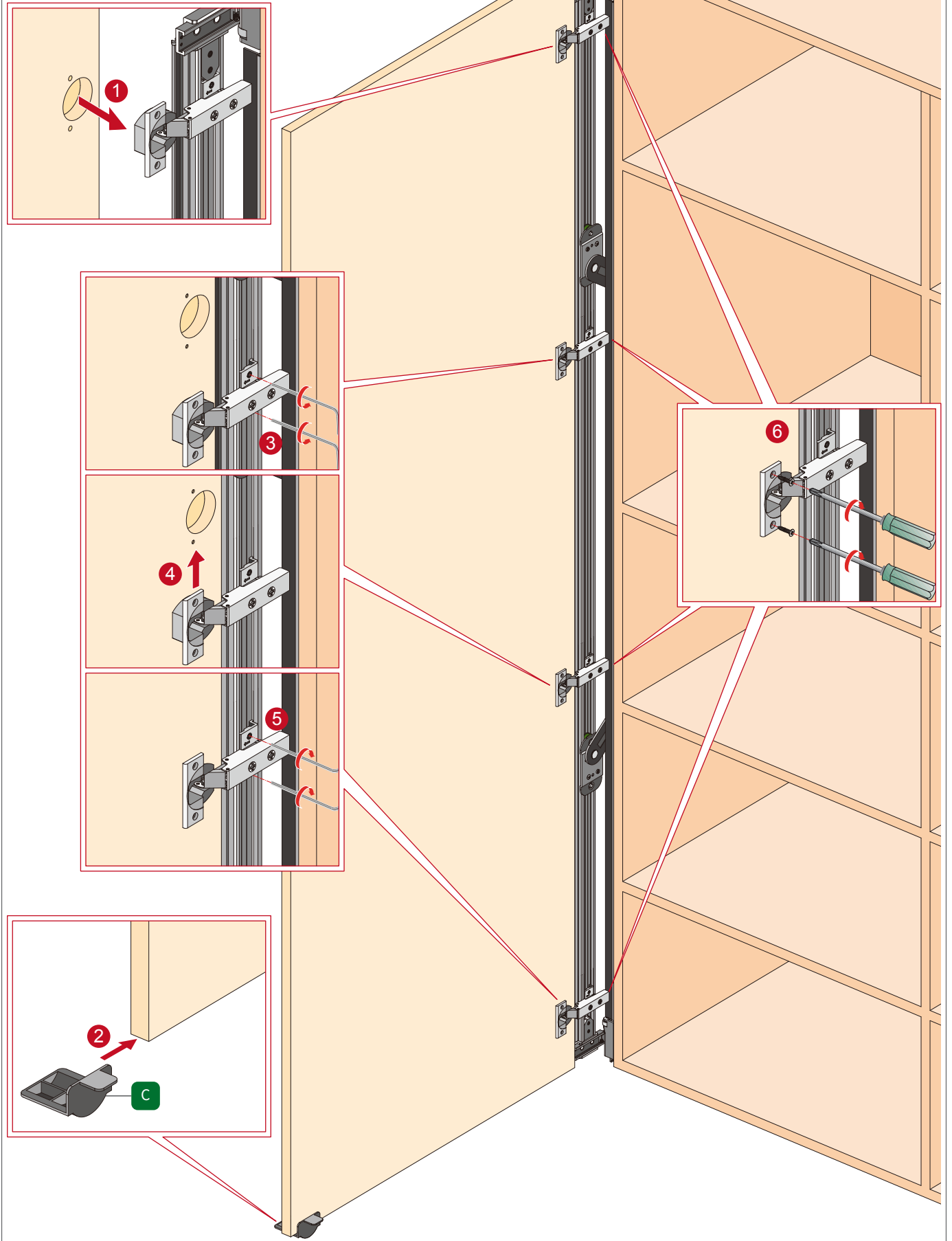
5 Install the Upper & Lower Plug



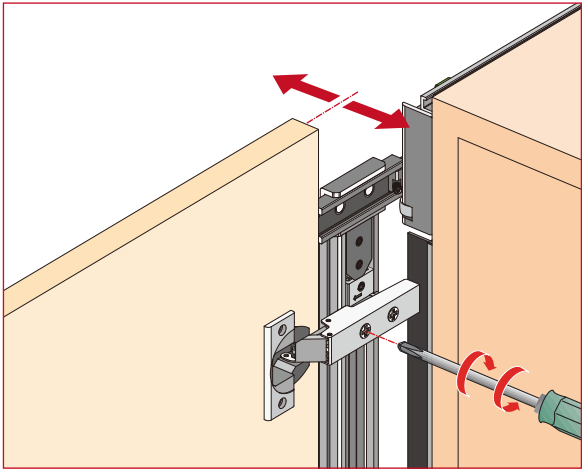
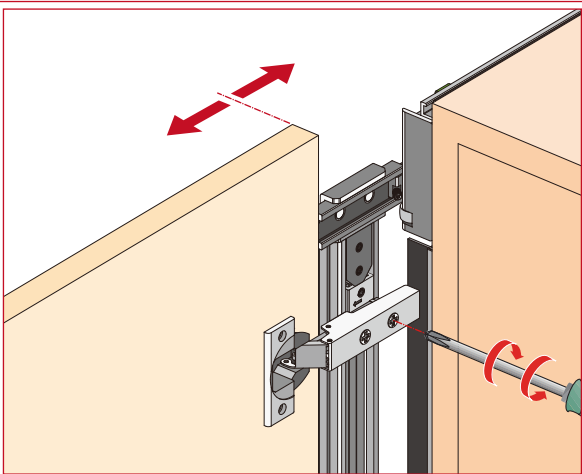
6 Install plastic fixed part



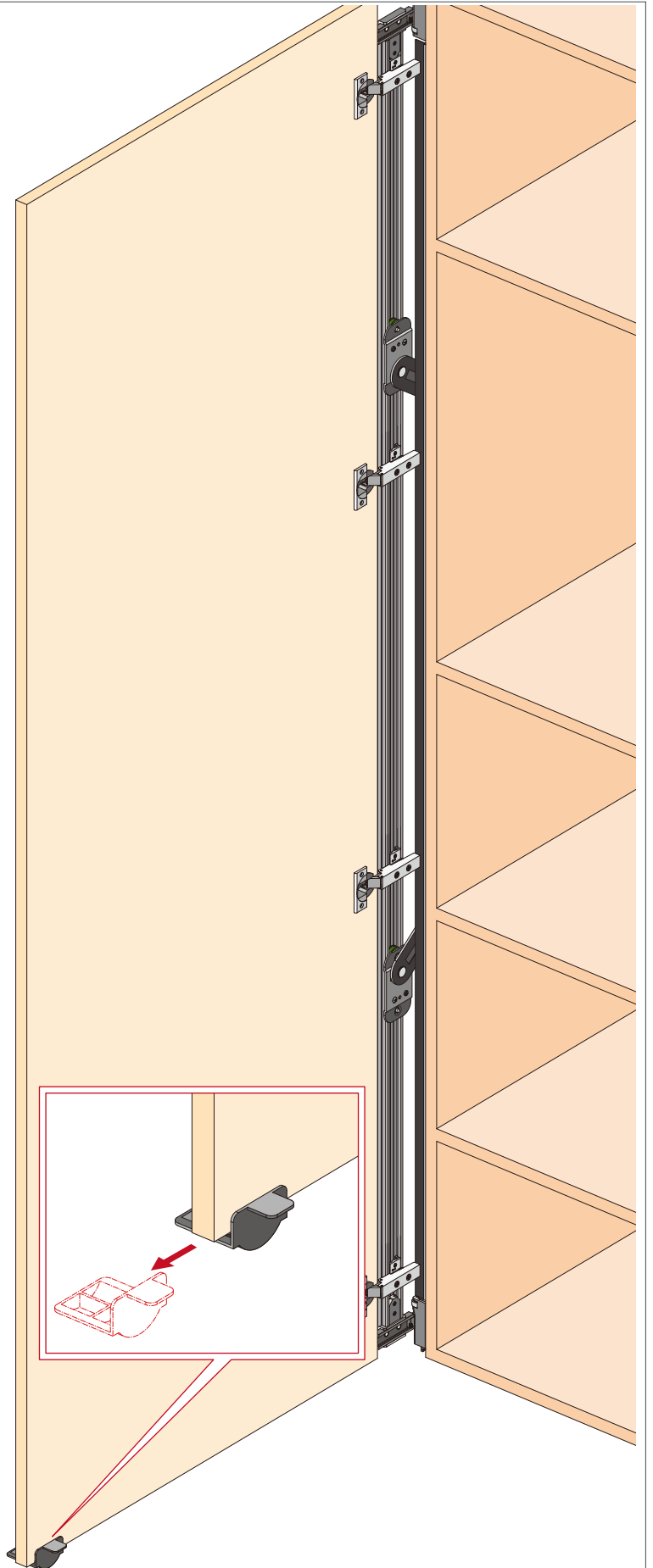
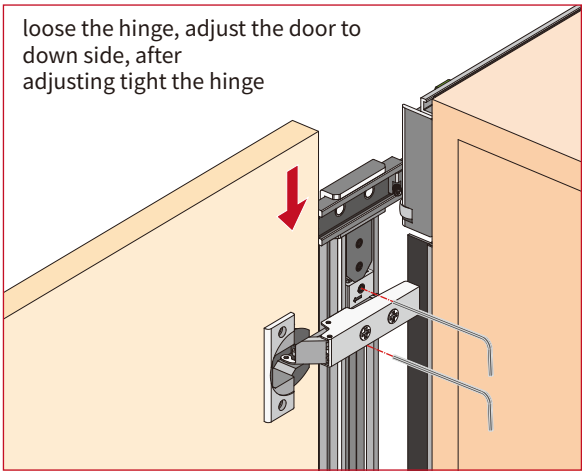
7 Install the door panel



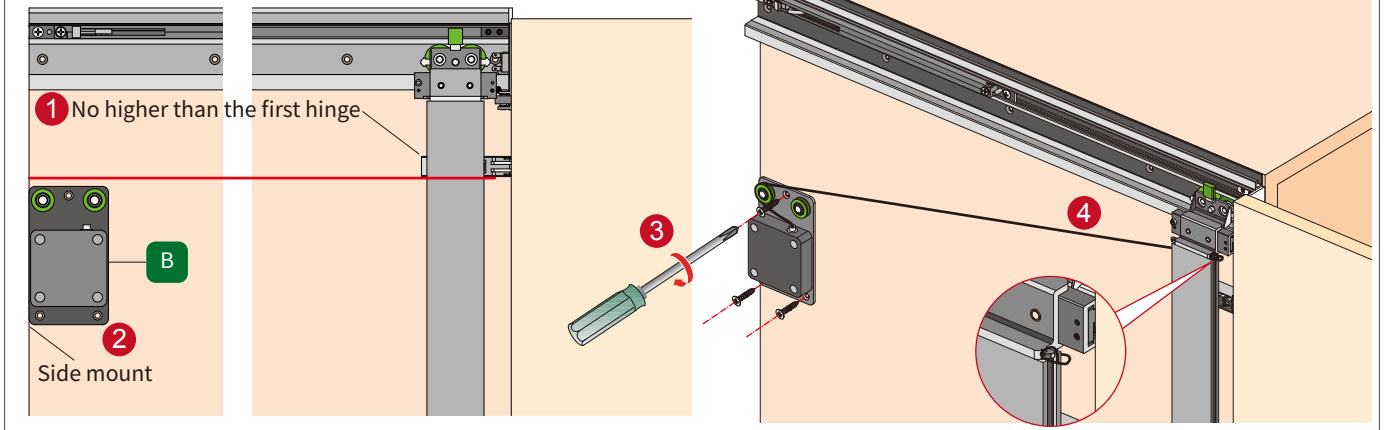
8 Adjust the door panel



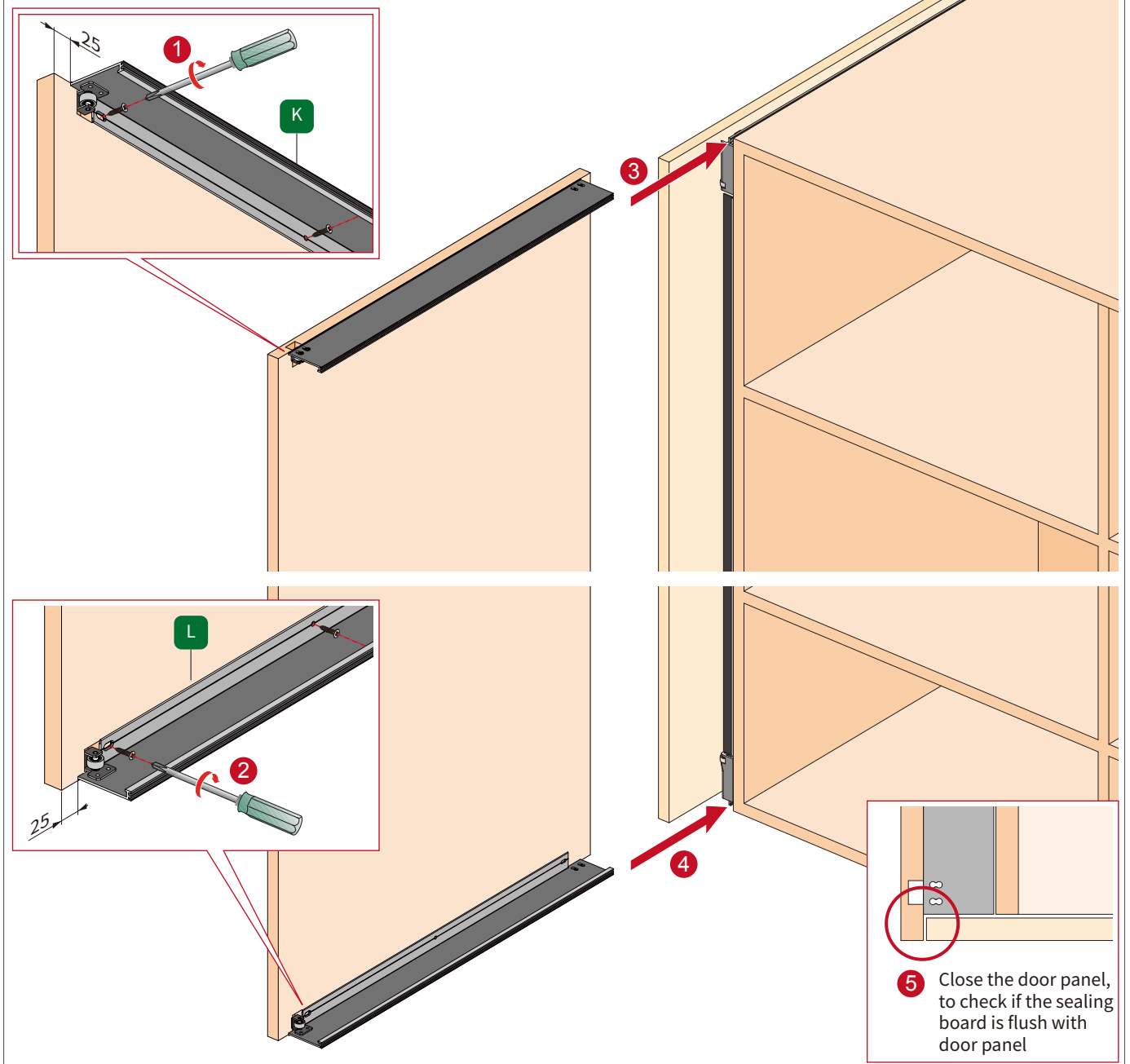
loose the hinge, adjust the door to down side, after adjusting tight the hinge



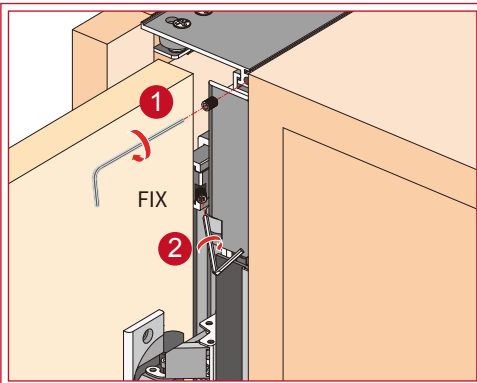
9 Install the tensioner



10 Install sealing board



11 Fixed sealing board & mounting decorative cover



Mounting decorative cover

