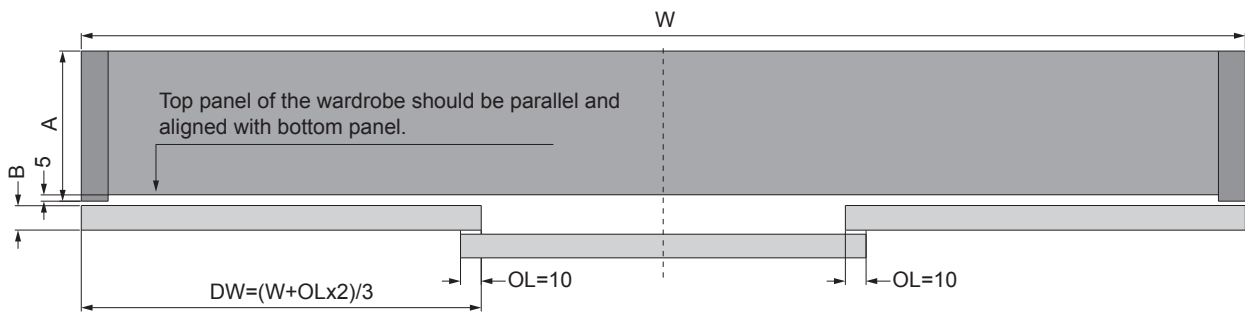
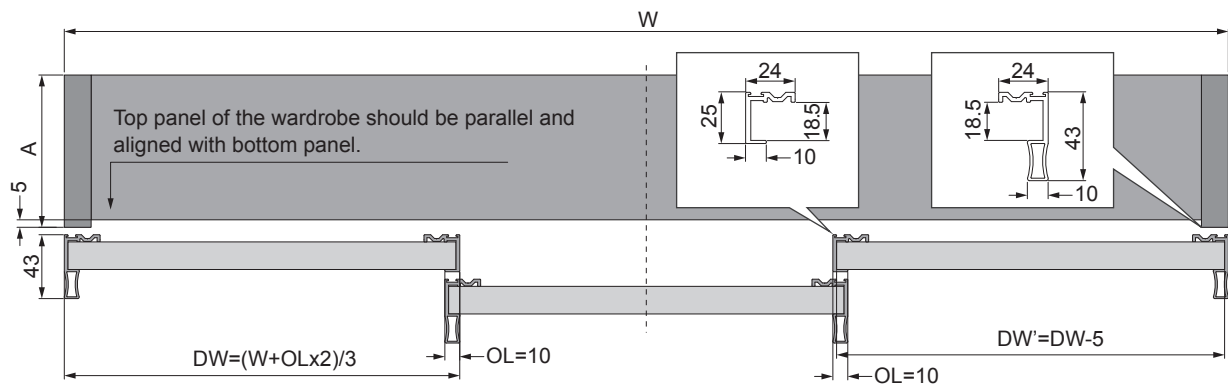


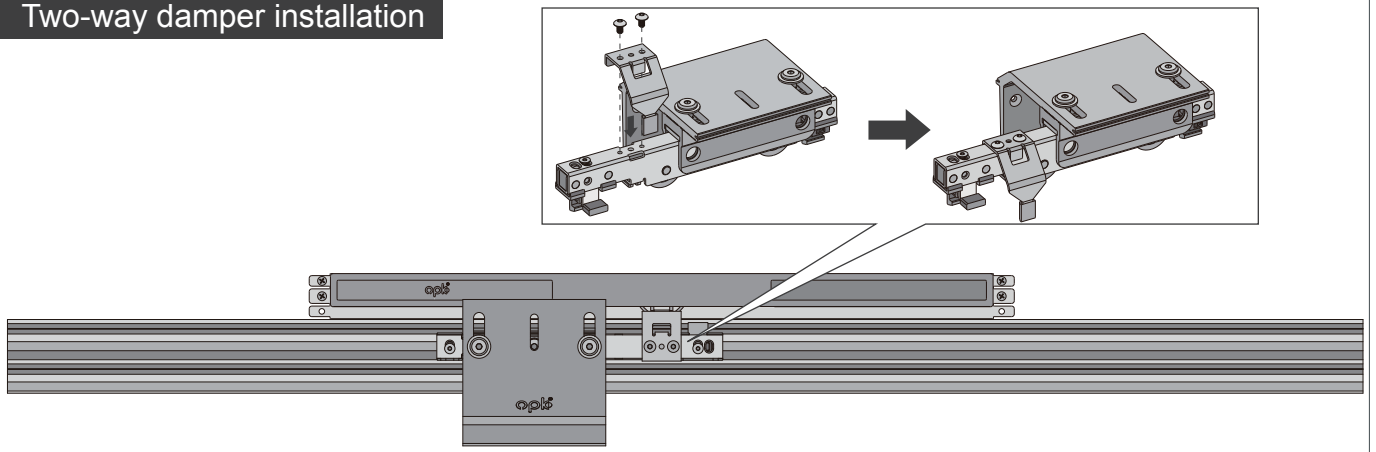
Cabinet requirements



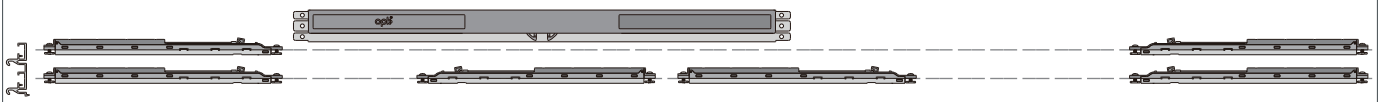
Cabinet requirements handle



Two-way damper installation



Damper location



Running part location

