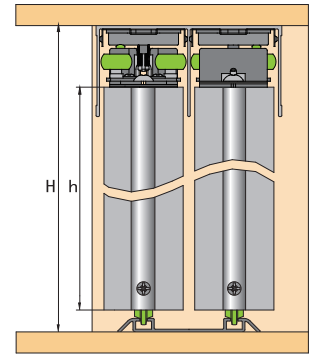
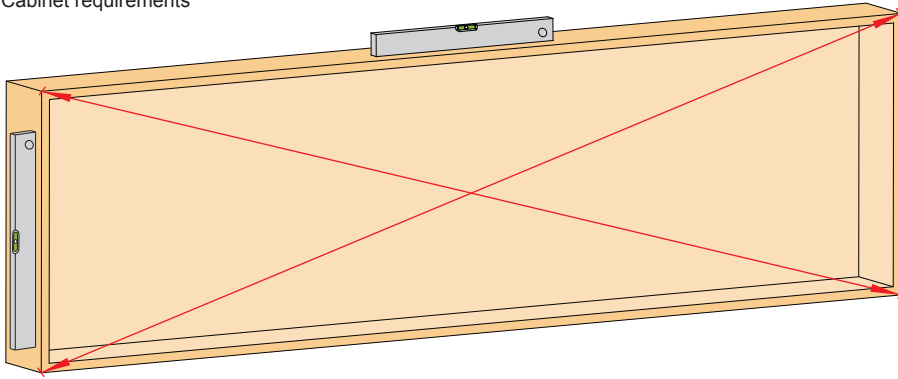
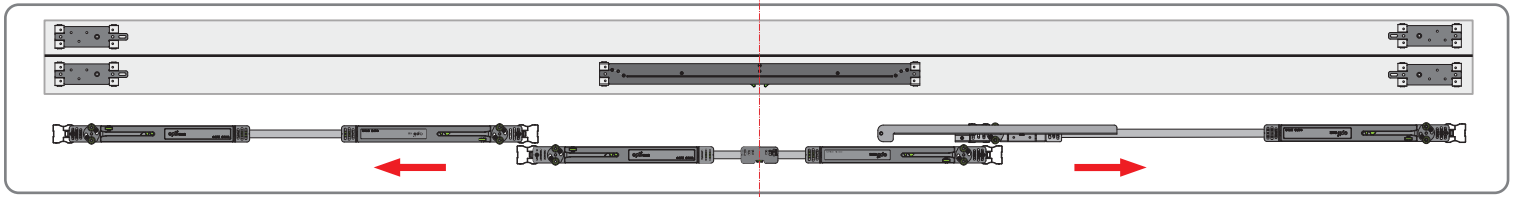


1 Cabinet requirements



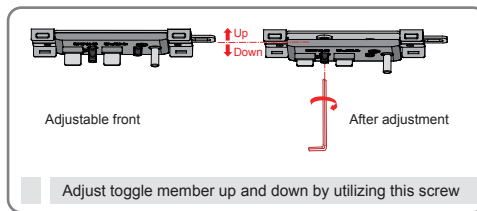
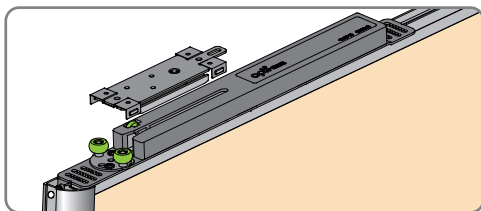
h (Door Height) = H (Inner Door Frame Height) - 43mm

2 Instruction of installation



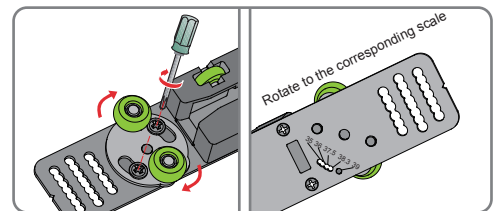
3 Product technical features

1 Door panel anti-jumping settings



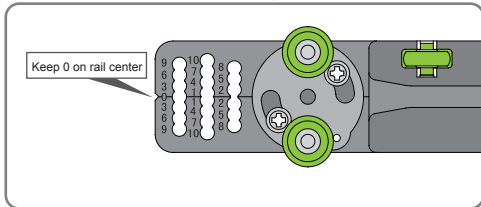
Adjust toggle member up and down by utilizing this screw

2 Adjust up roller distance

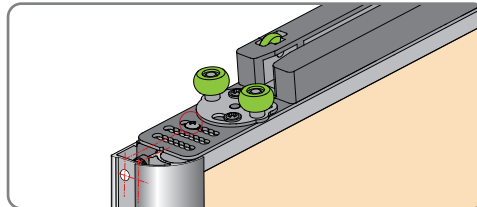


Rotate to the corresponding scale

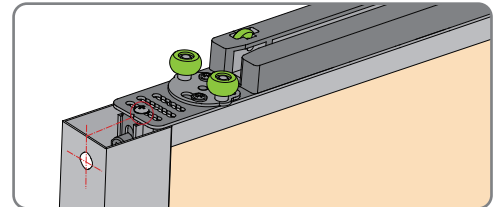
3 Based on sliding door's position, take 0 as the centre to fix screw to corresponding scale



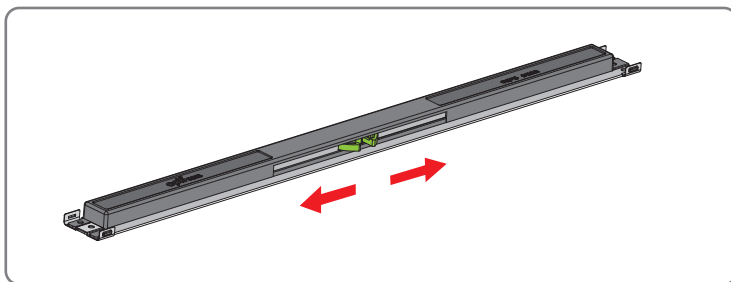
4 Asymmetrical profile installation



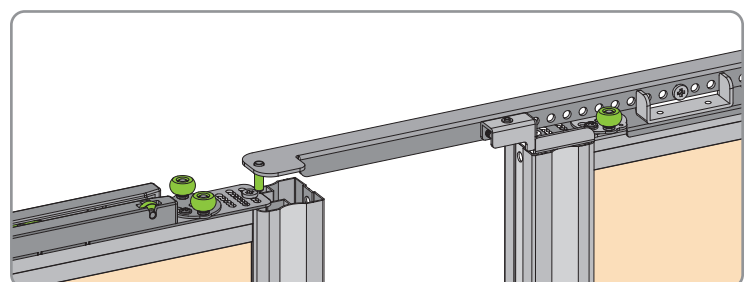
5 Symmetrical profile installation



6 Double buffer to left and right (outer door)

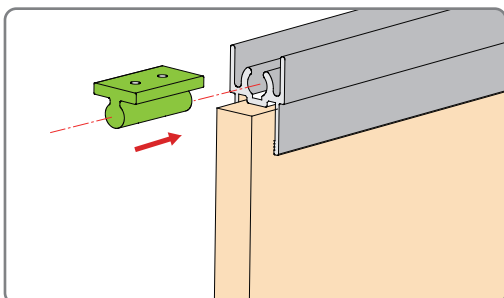


7 Two-way buffer (inner door)

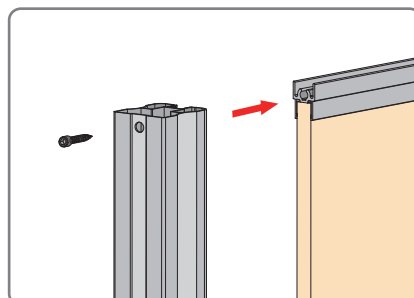


4 Installation of inner door

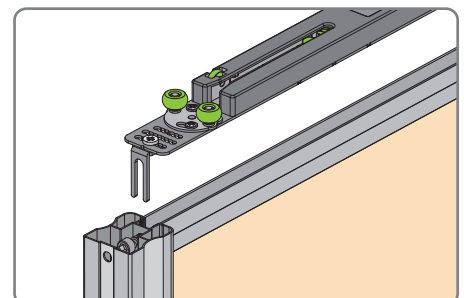
1 Put guide fixing part into up frame



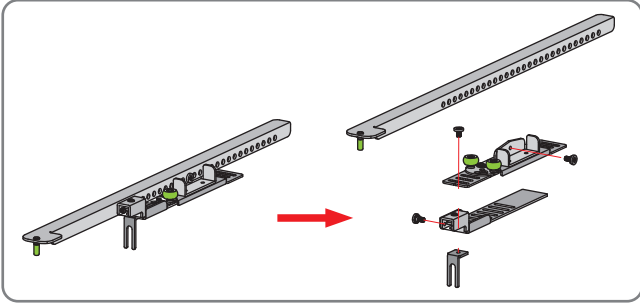
2 Install vertical frame



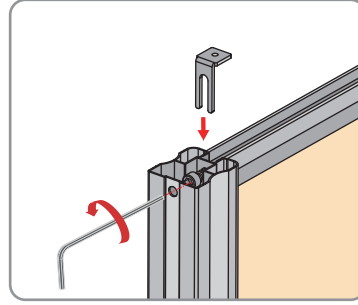
3 Install damping top roller



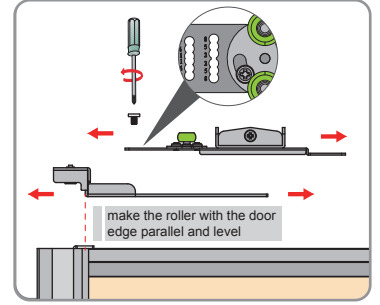
4 Disassemble collision up roller



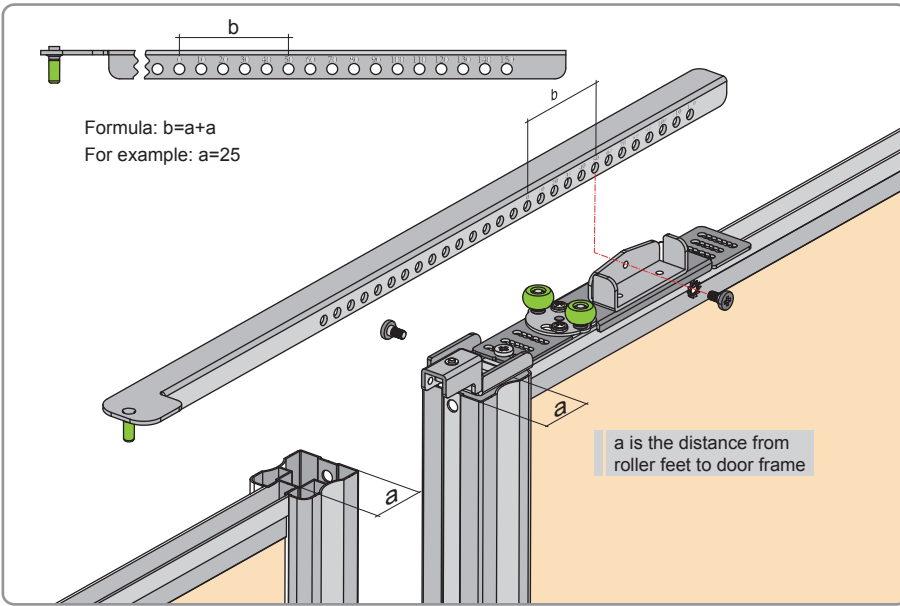
5 Install the roller feet



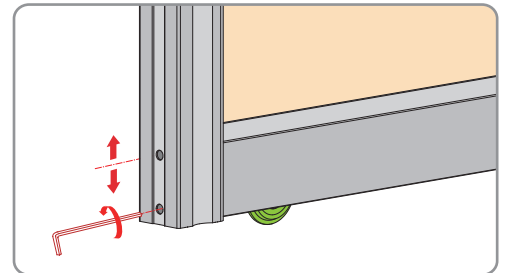
6 Install the collision up roller



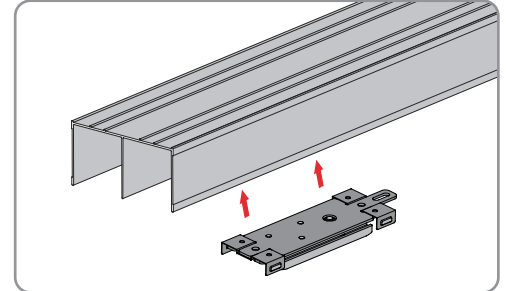
7 Calculate the length of installation by formula



8 Adjust the door balance (adjust the bottom rollers)

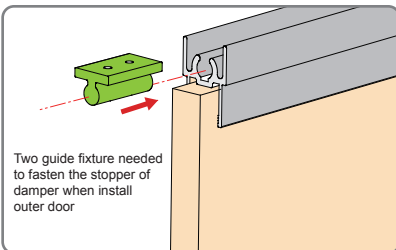


9 Anti-jumping stopper installation

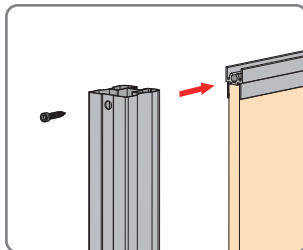


5 Installation of outer door

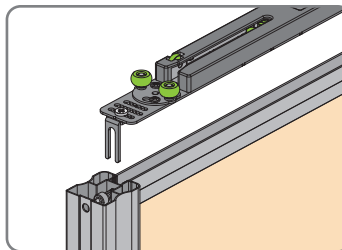
1 Put guide fixing part into up frame



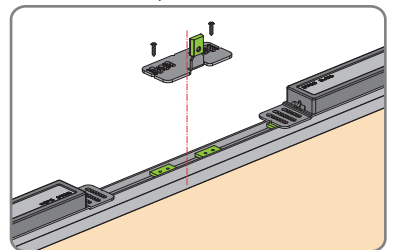
2 Install vertical frame



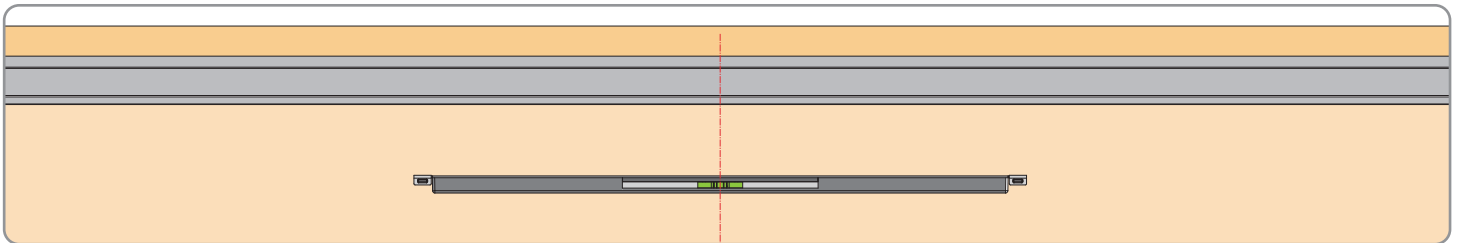
3 Install damping top roller



4 Install the stopper of damper in the middle of the panel of inner door

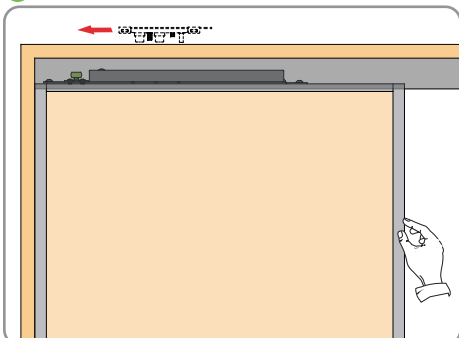


6 Install Cruiser 4 system in the middle of the track of inner door

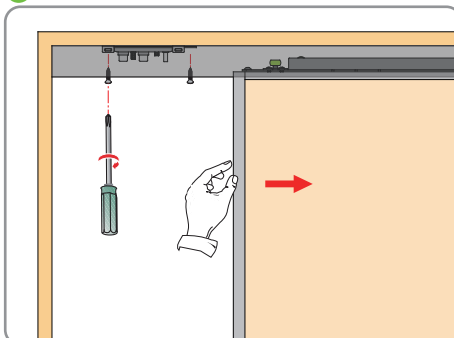


7 Adjust door

1 Anti-jumping stopper into place



2 Fix the anti-jumping stopper



3 Adjust the level height

