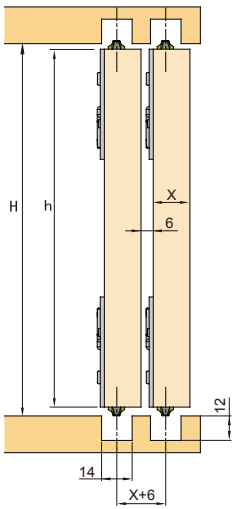
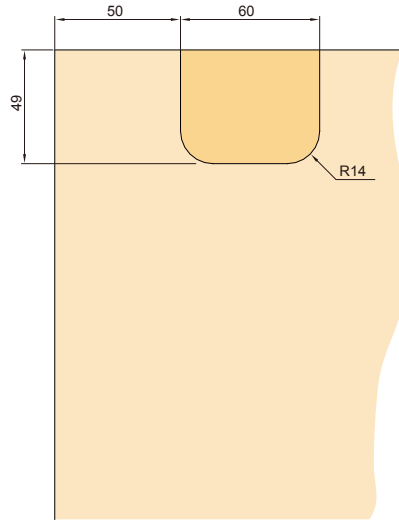


**1** Cabinet requirements

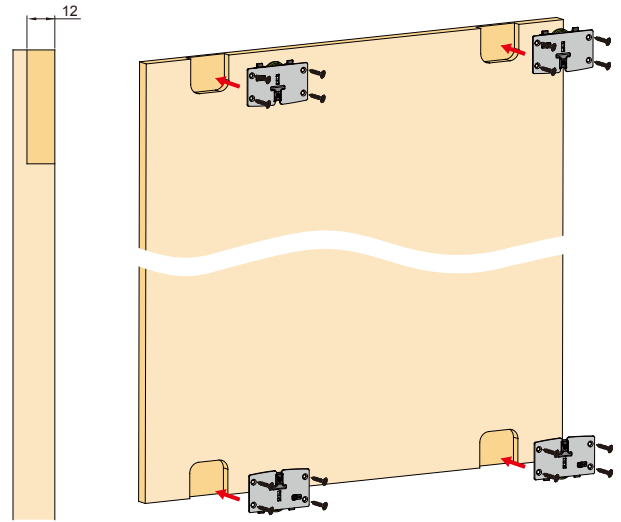
Door height(h)=H-12mm



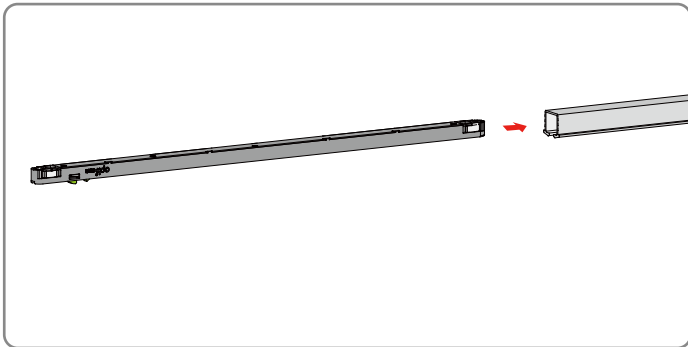
**2** Door slot size



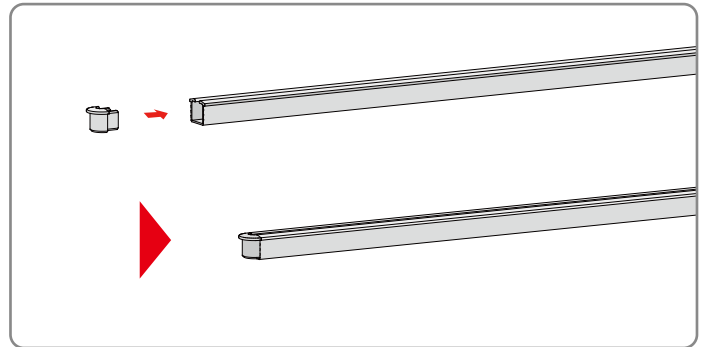
**3** Install rollers



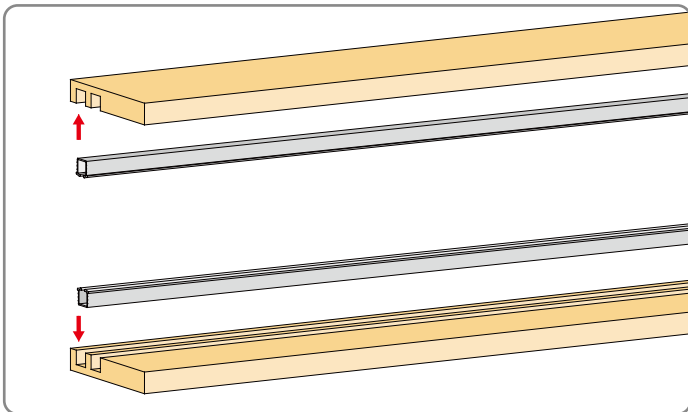
**4** Install damper



**5** Install track plug (optional)

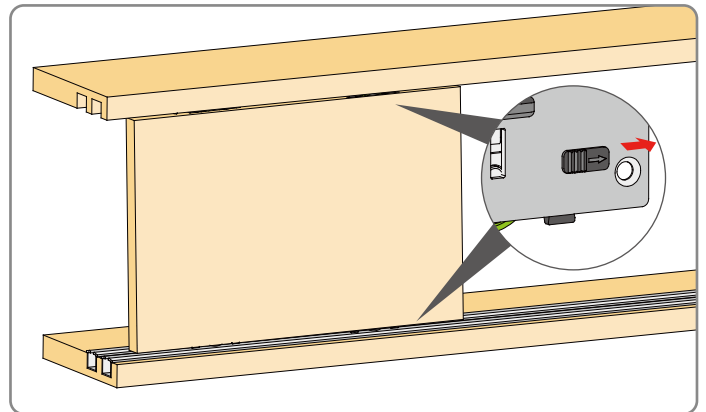


**6** Install track



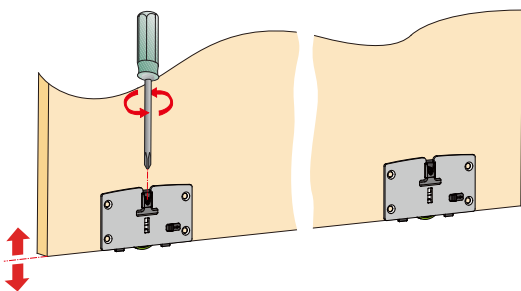
**7** Install door panel

After fixing the door in the track, open the Switch button of top and bottom roller



**8** Adjust the door

**1** Adjust the door balance (adjust the bottom rollers)



**2** Adjust the door damping

2.5mm hex wrench

