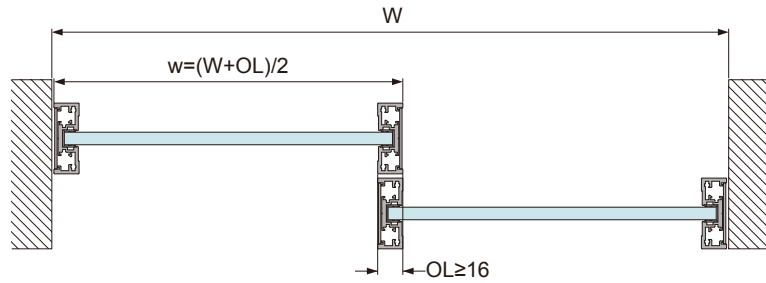
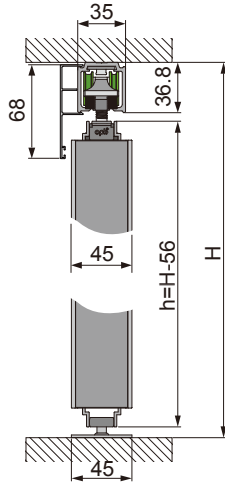
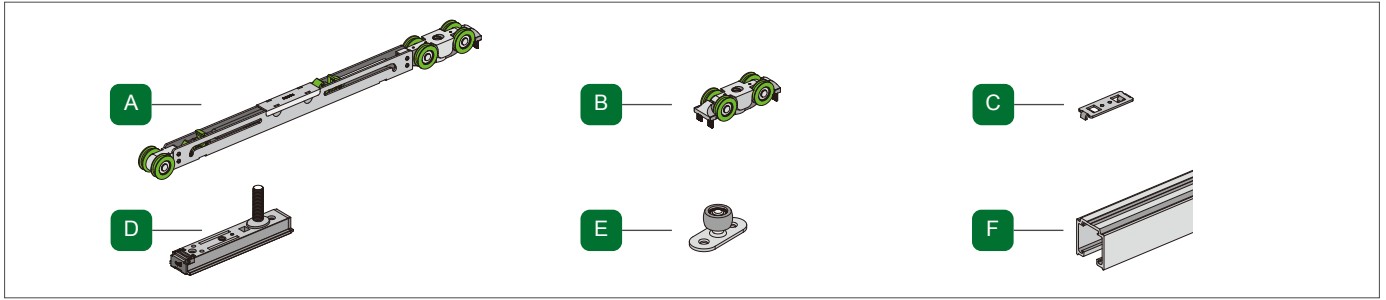
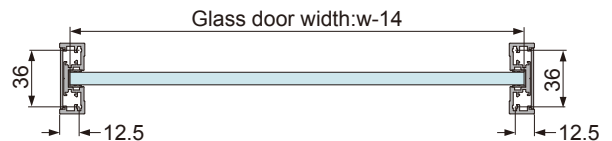
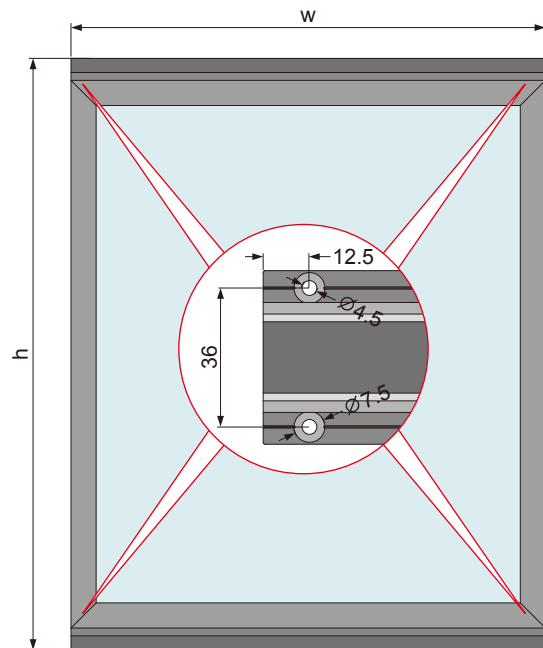
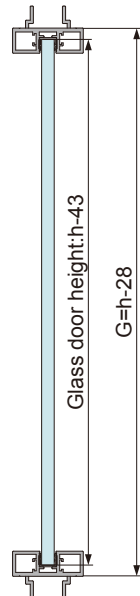
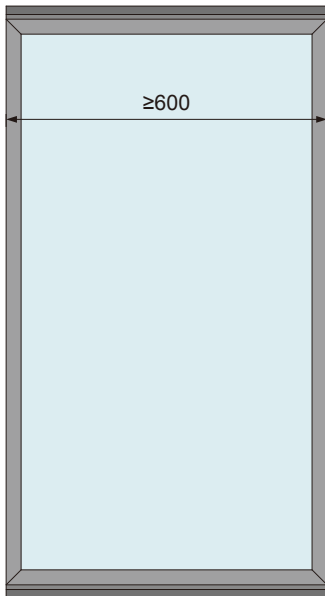
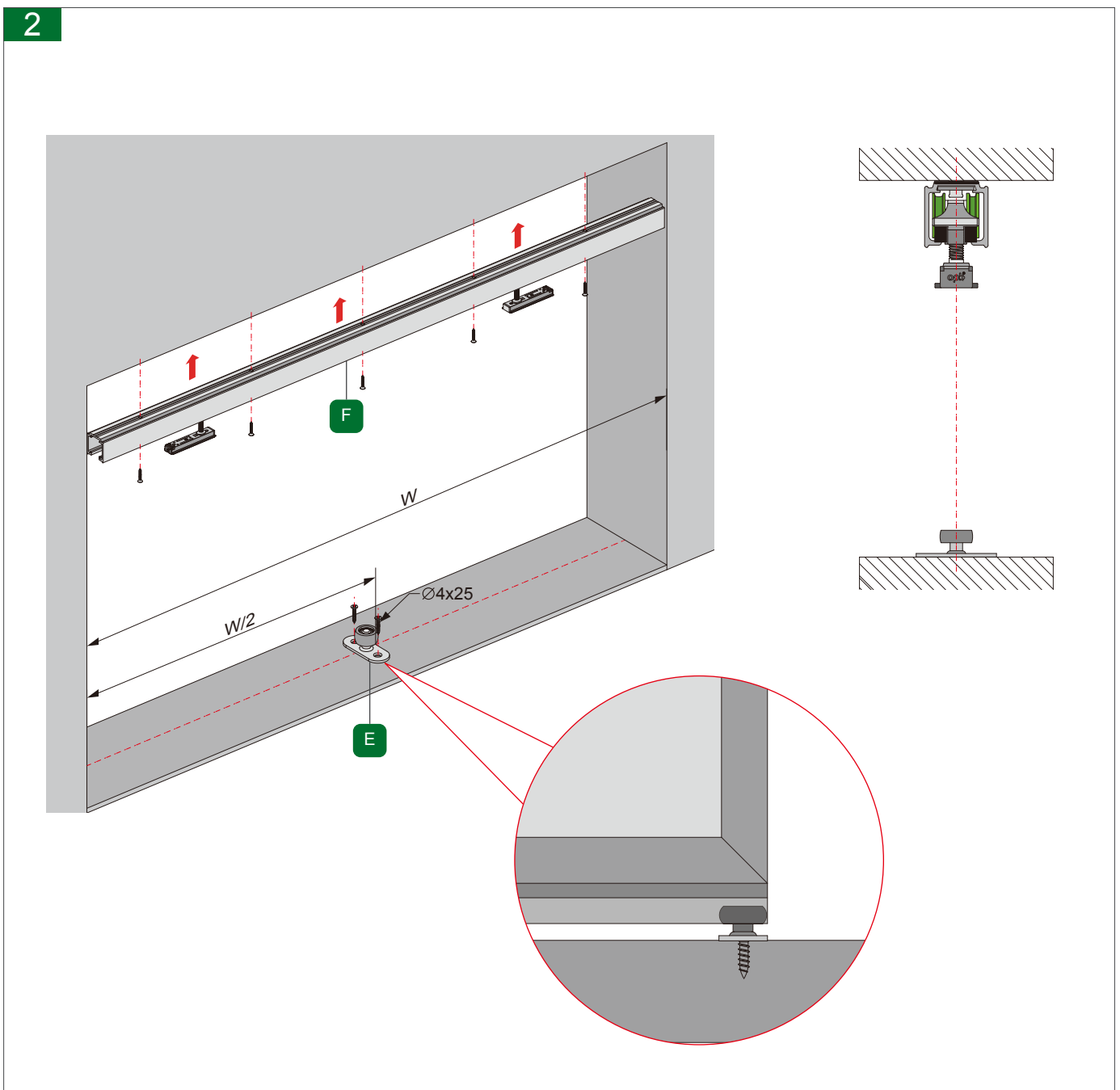
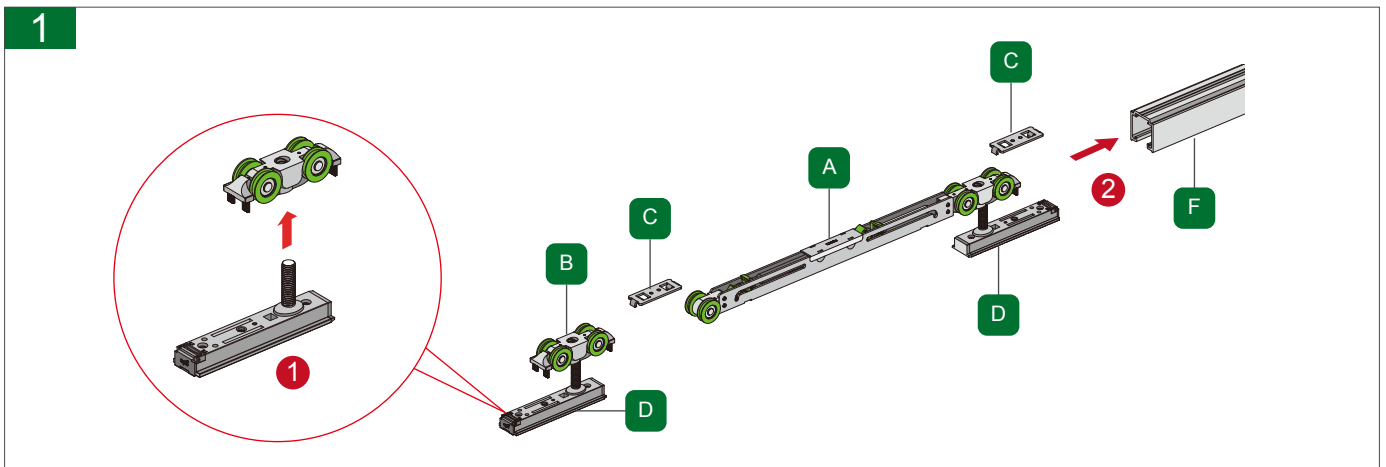


SATELLITE 15 SLIM ALUMINUM FRAME INSTALLATION INSTRUCTIONS

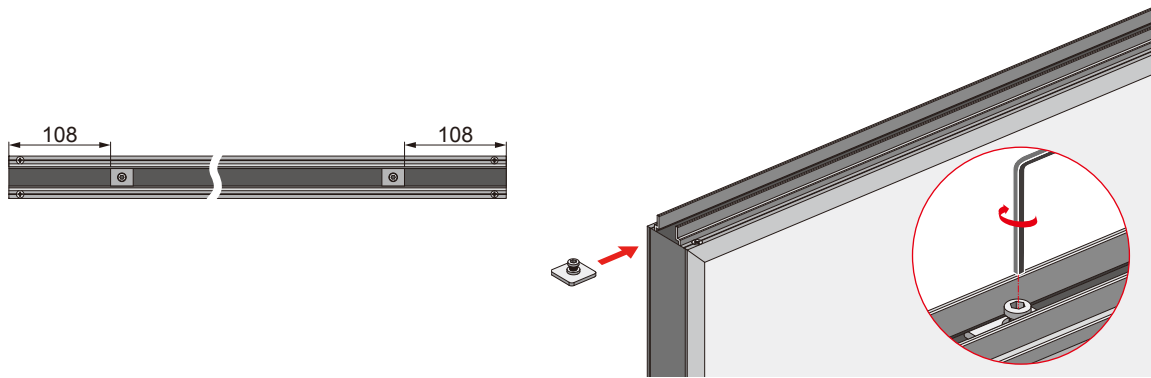


Opposite damping

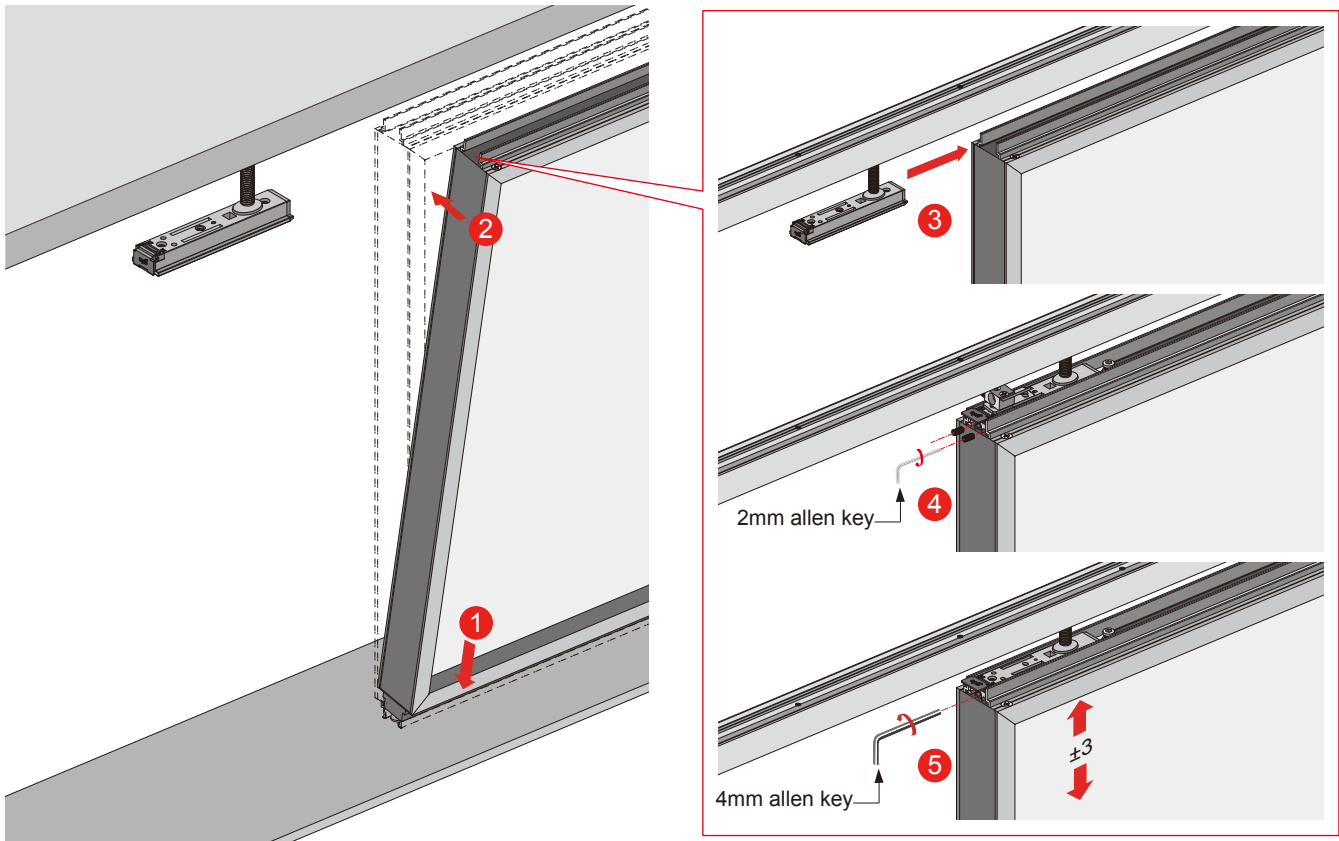




3



4



5

