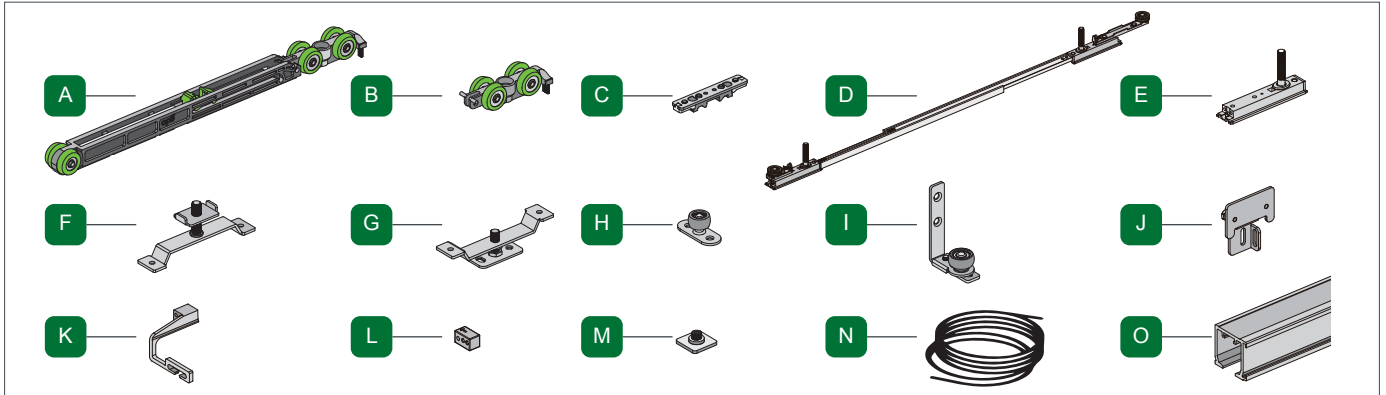
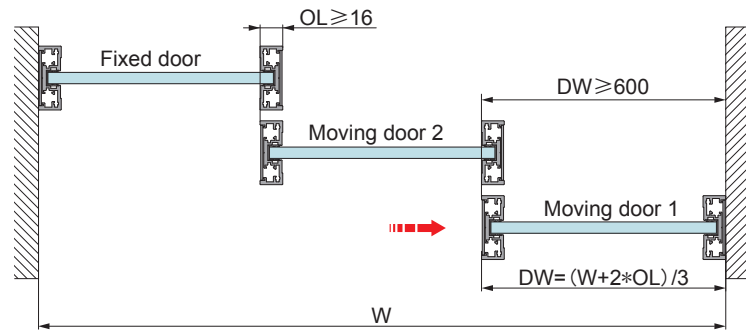
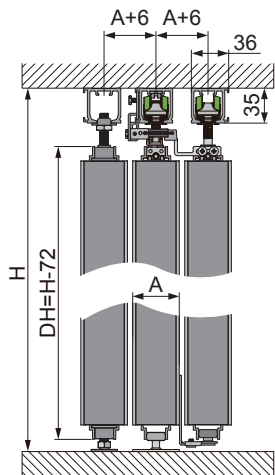


# Tiangong 6 Aluminium Slim Frame 2+1 Mounting Instruction



Weight Capacity  
≤60kg



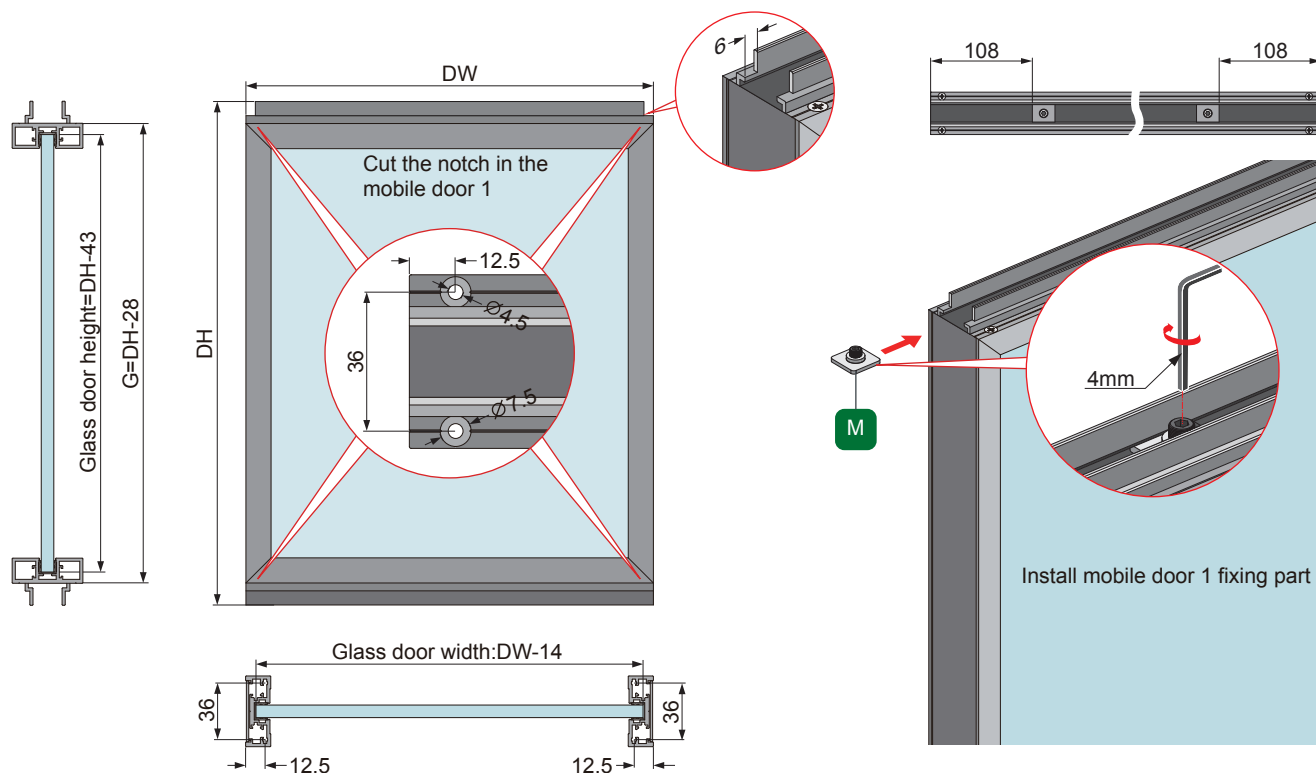
## Close the door to the right



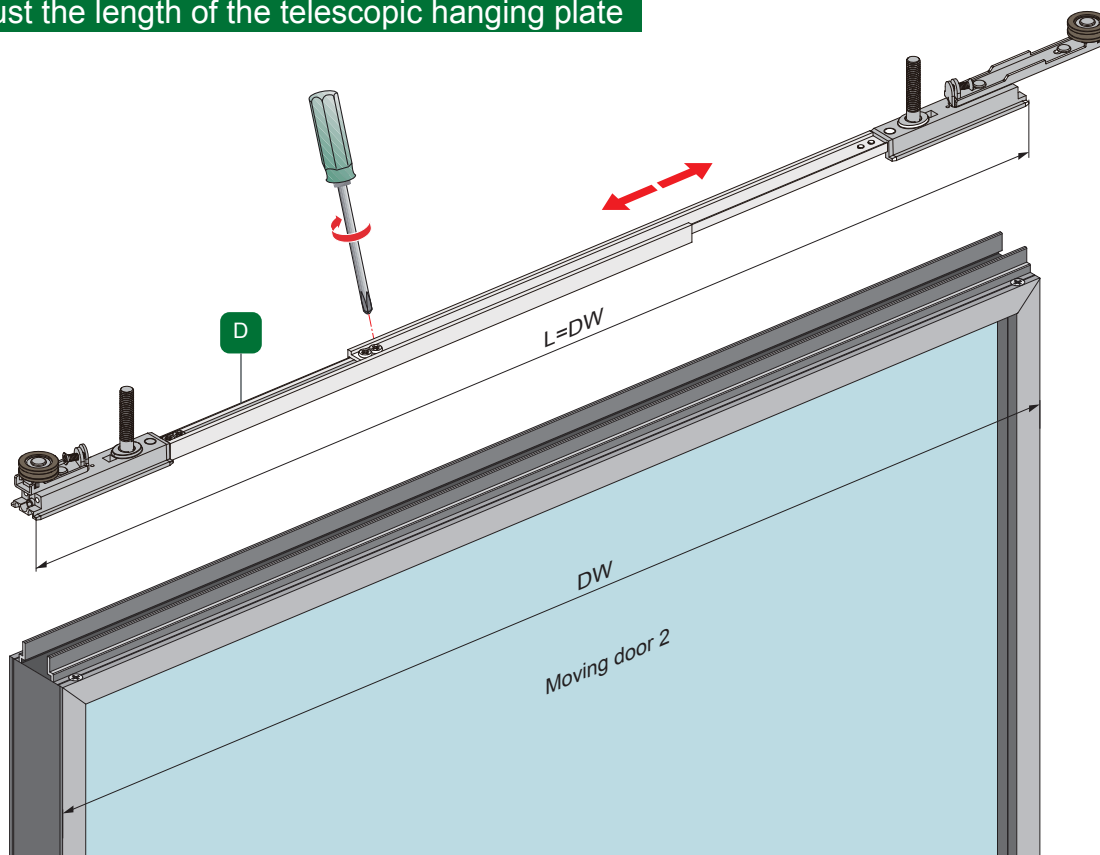
## Close the door to the left



1 Door installation requirement

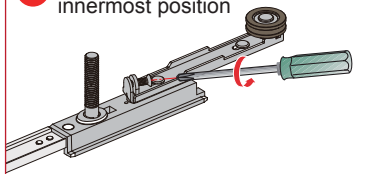


2 Adjust the length of the telescopic hanging plate

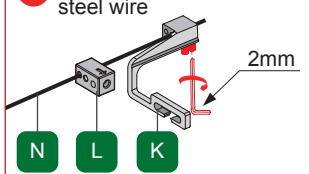


### 3 Winding steel wire

1 Retract the reel to the innermost position



2 First lock one end of the steel wire



Remark: Keep it horizontal

3 Arrow pointing up

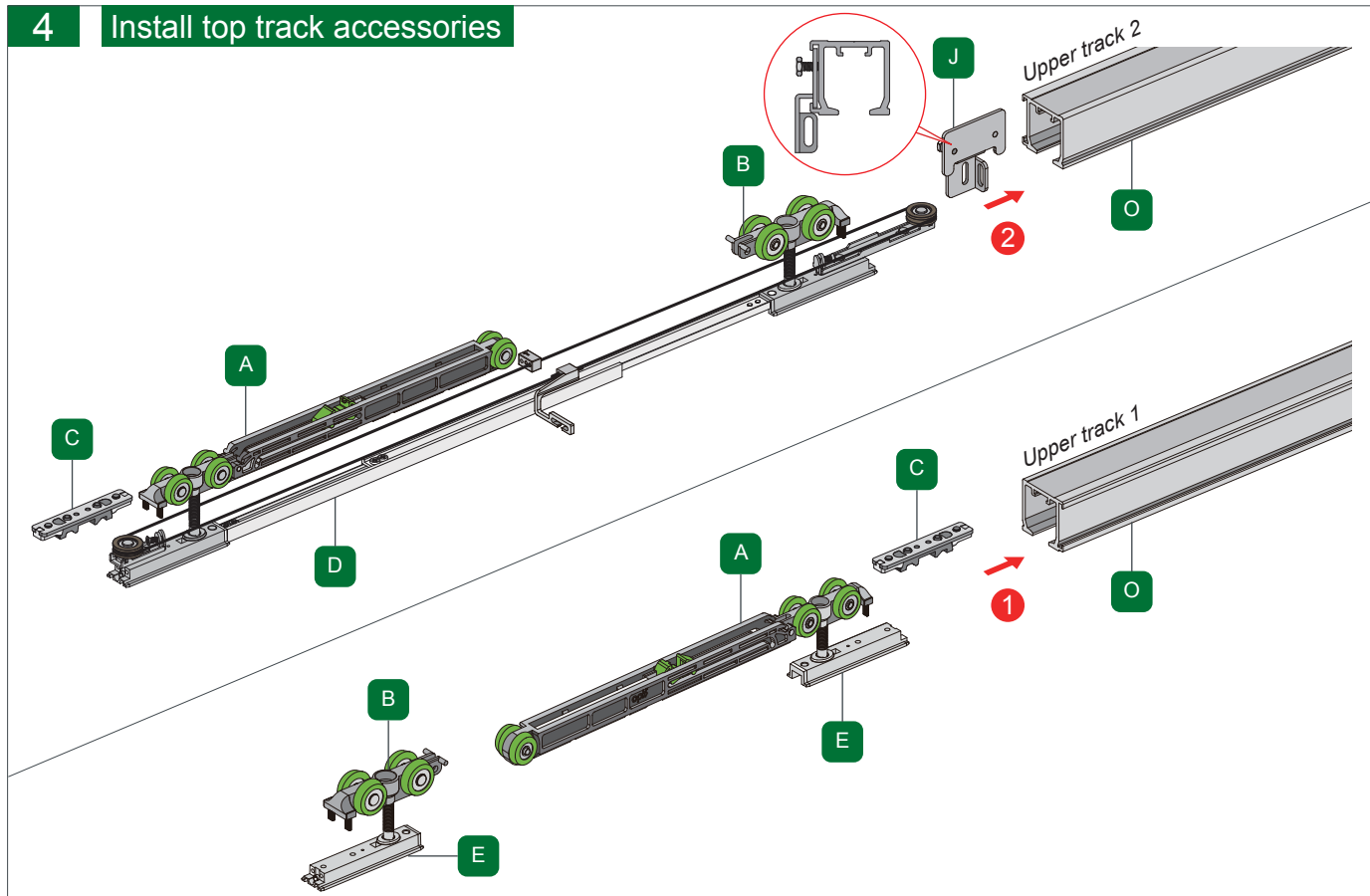
4 Lock the other end of the steel wire

6 Pull the wire fixing part to the side of the wheel and tighten the screw

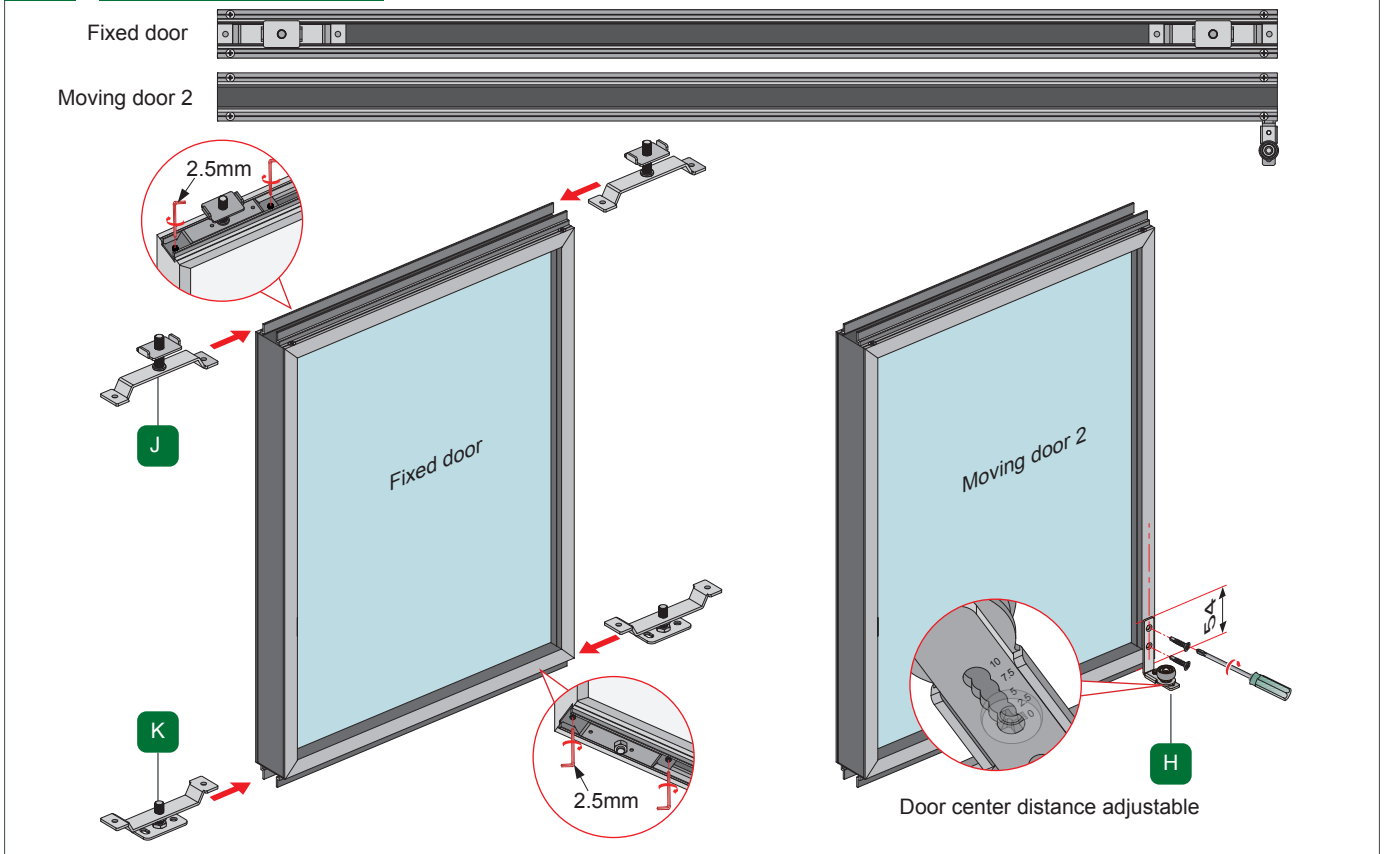
7 Adjust tightness of the wire

5 Pull the wire connector to the side of the wheel

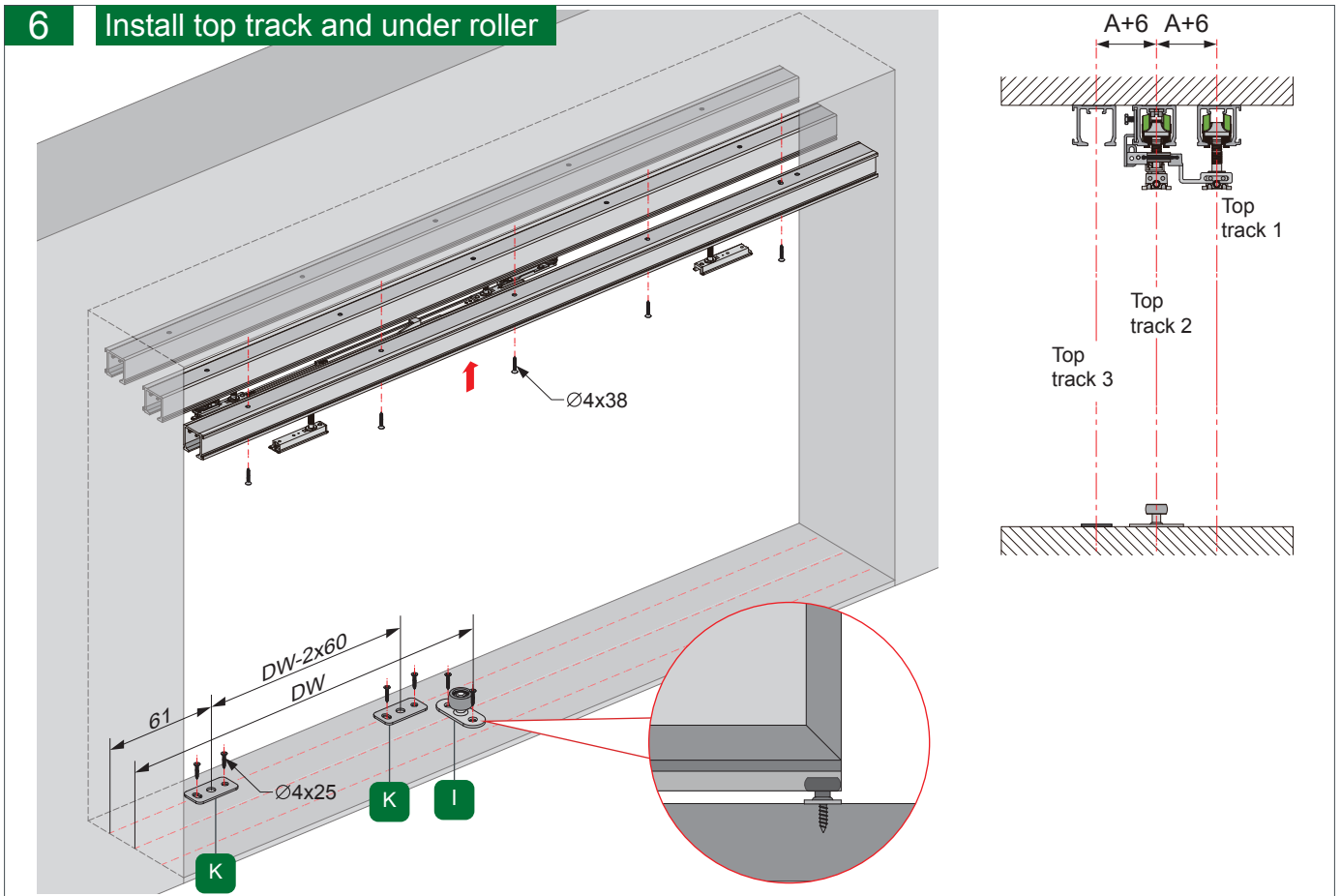
### 4 Install top track accessories



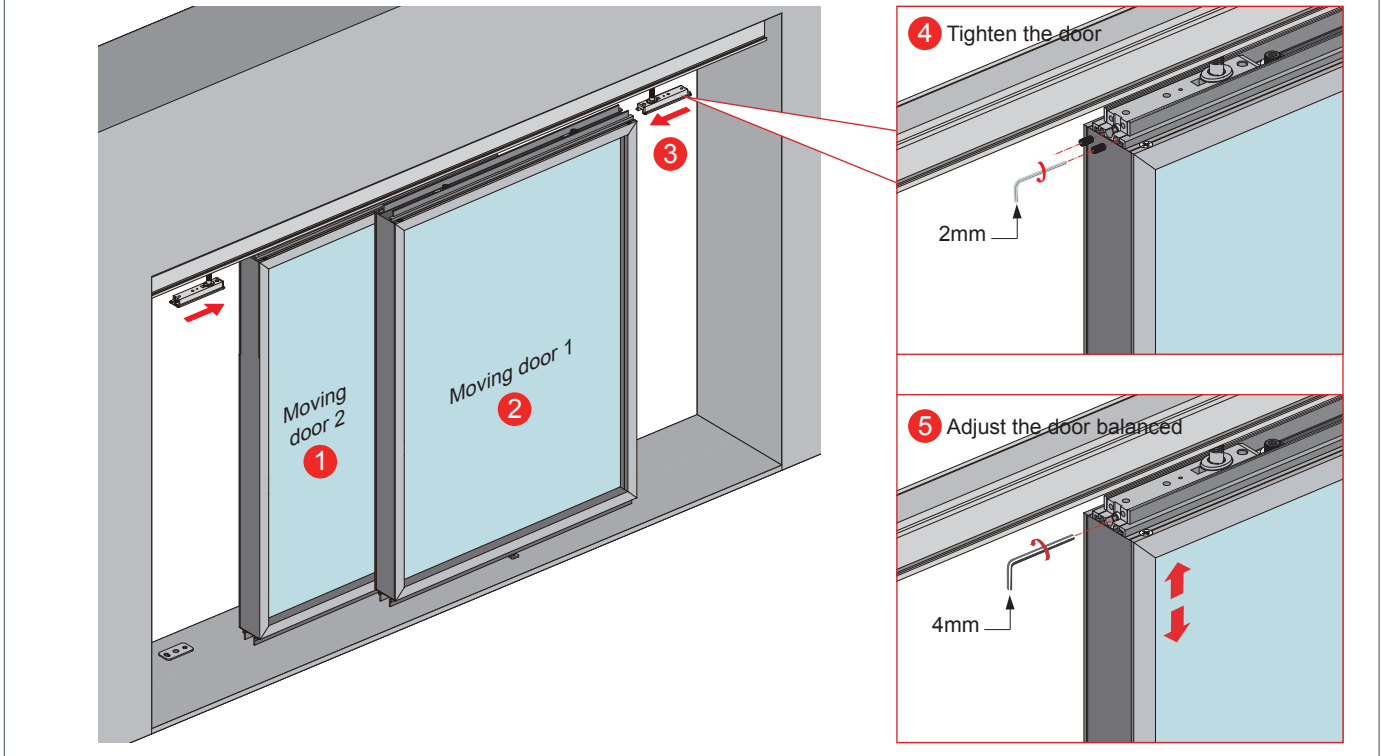
## 5 Install components



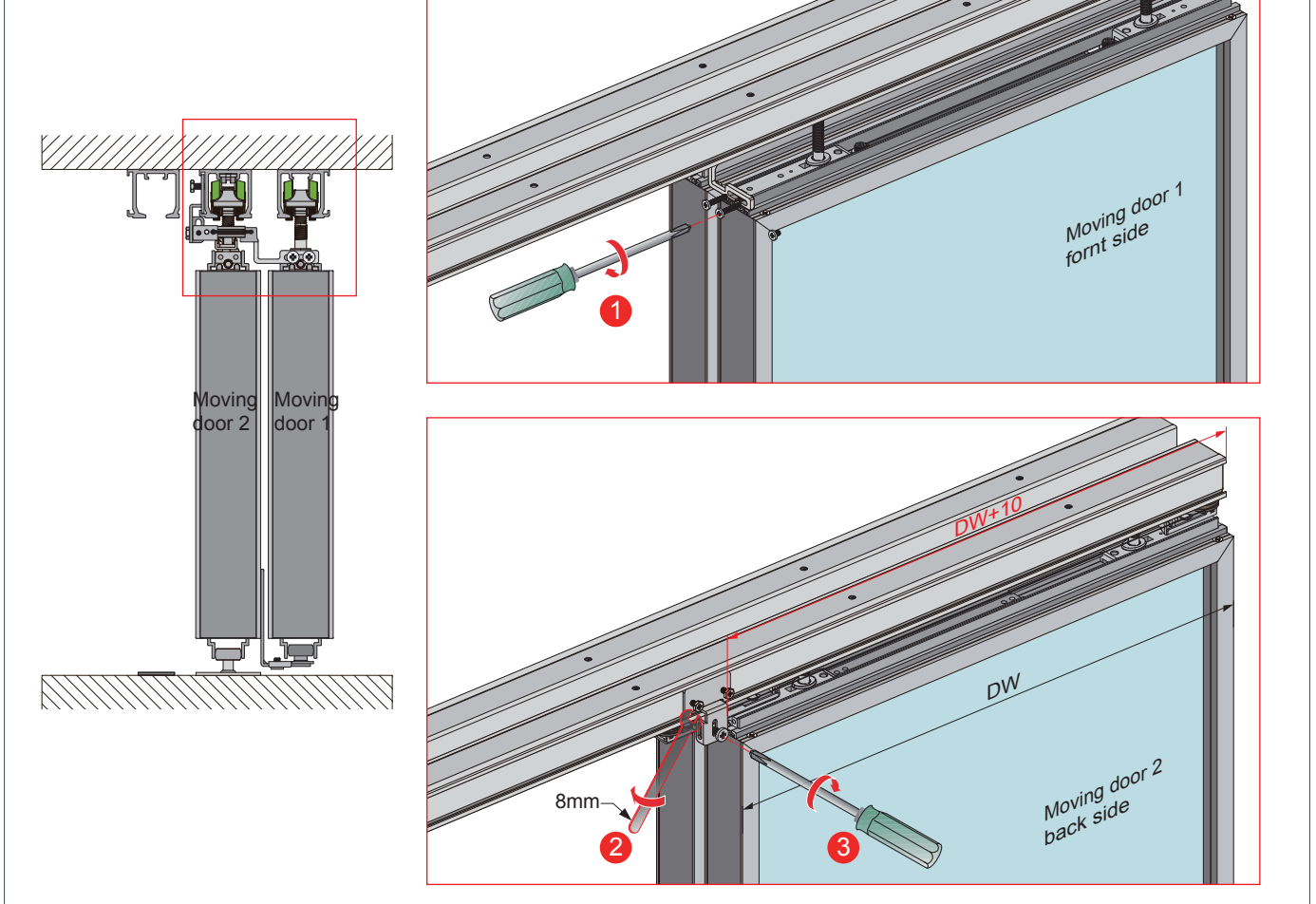
## 6 Install top track and under roller



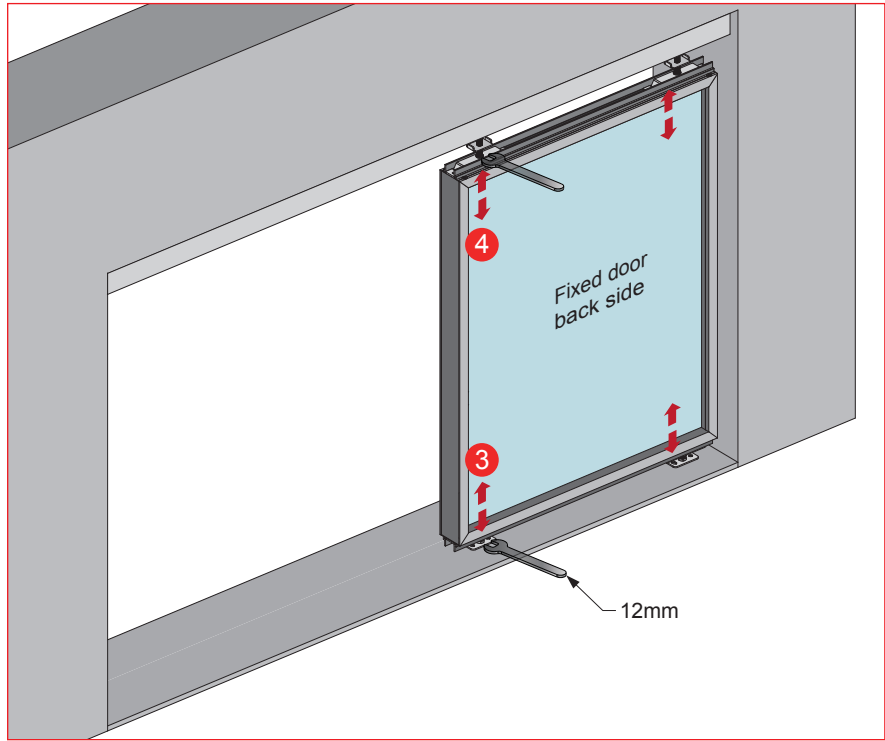
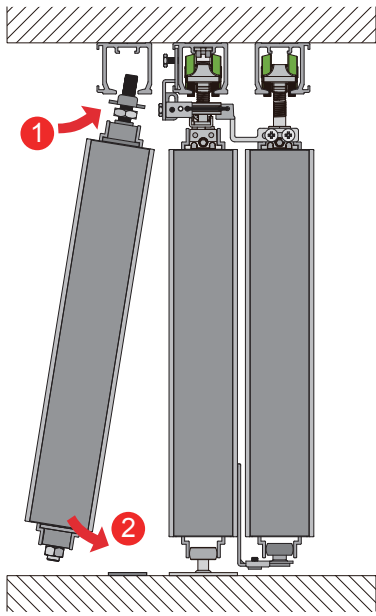
**7** Install moving door



**8** Connect the moving door



9 Install fixed door



10 Fix the activator

