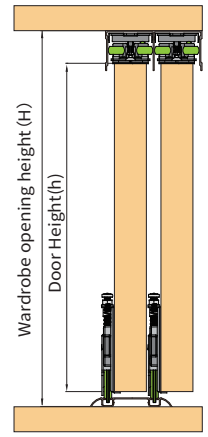
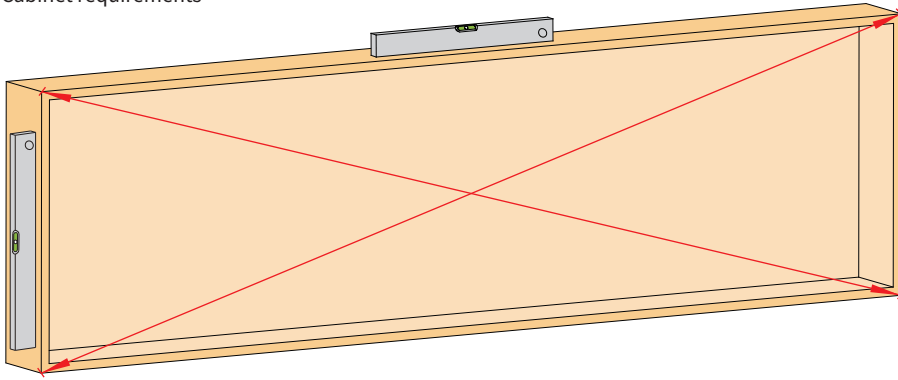
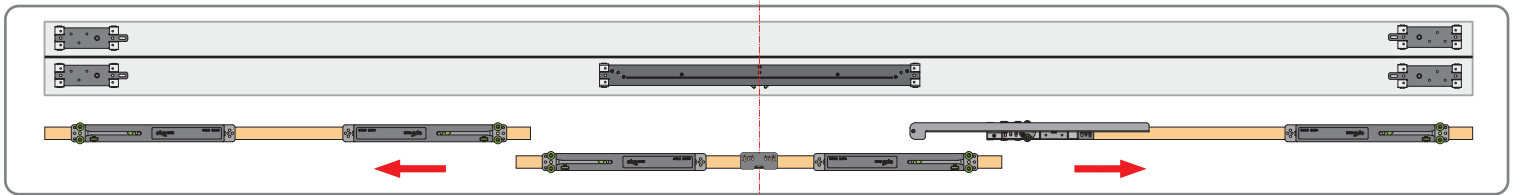


1 Cabinet requirements



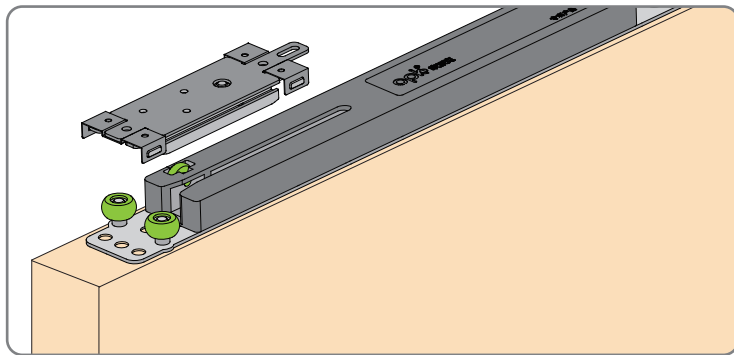
h=H-43mm

2 Instruction of installation

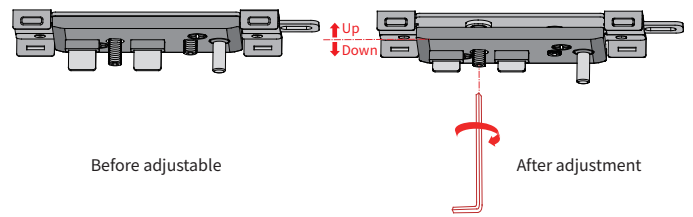


3 Product technical features

1 Door panel anti-jumping settings



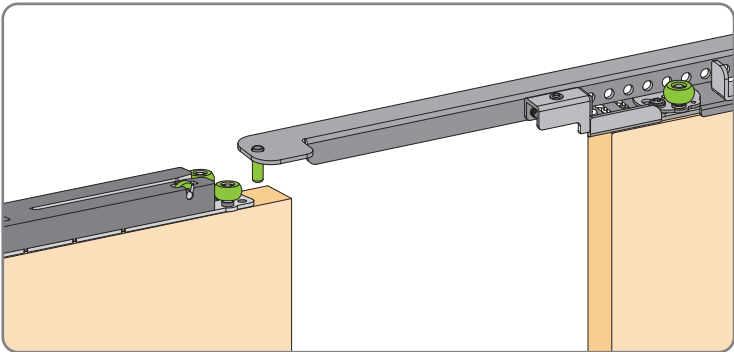
Adjust toggle member up and down by utilizing this screw



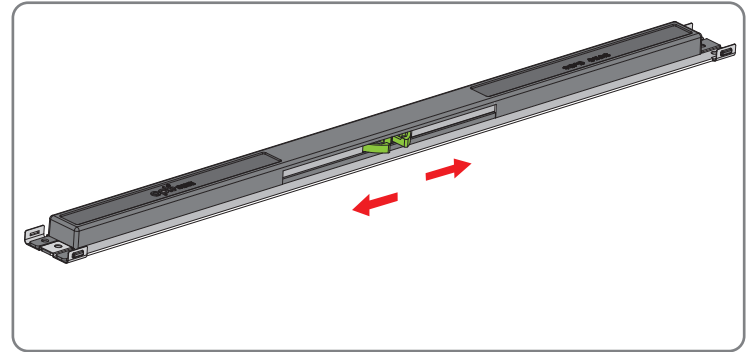
Before adjustable

After adjustment

2 Double buffer to left and right(outer door)

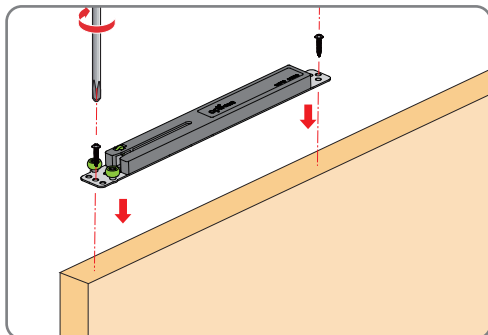


3 Two-way buffer (inner door)

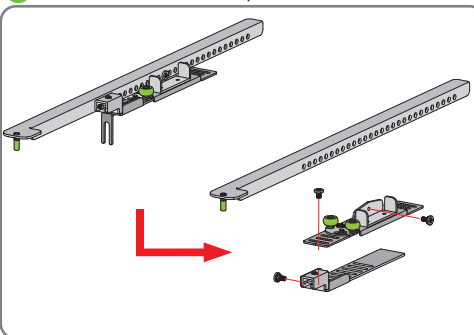


4 Installation of inner door

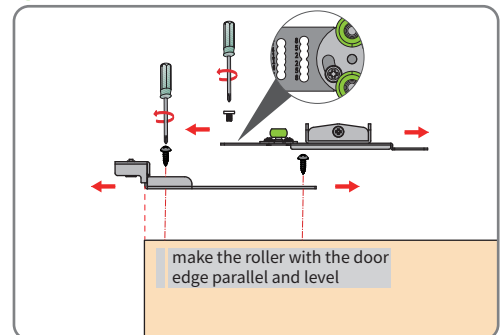
1 Install damping top roller



2 Disassemble collision up roller

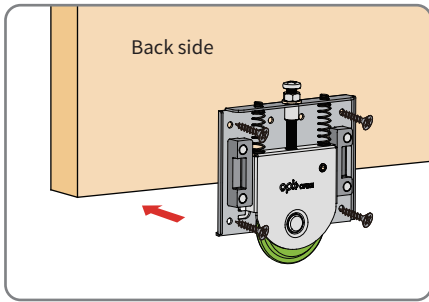


3 Install the collision up roller

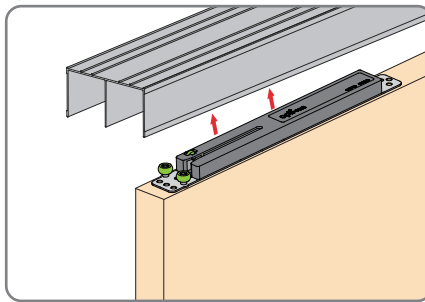


make the roller with the door edge parallel and level

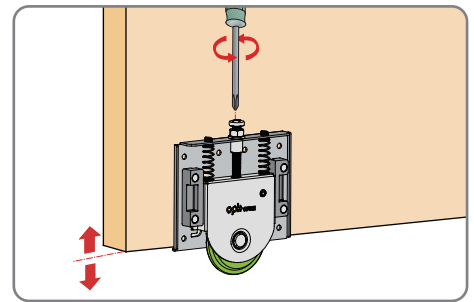
4 Install bottom roller



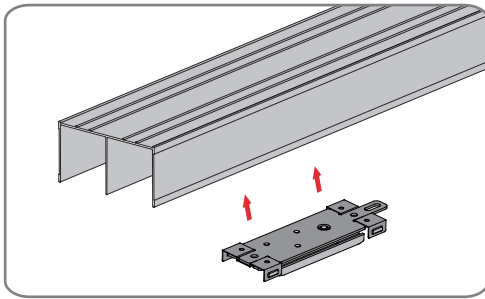
5 Install the door



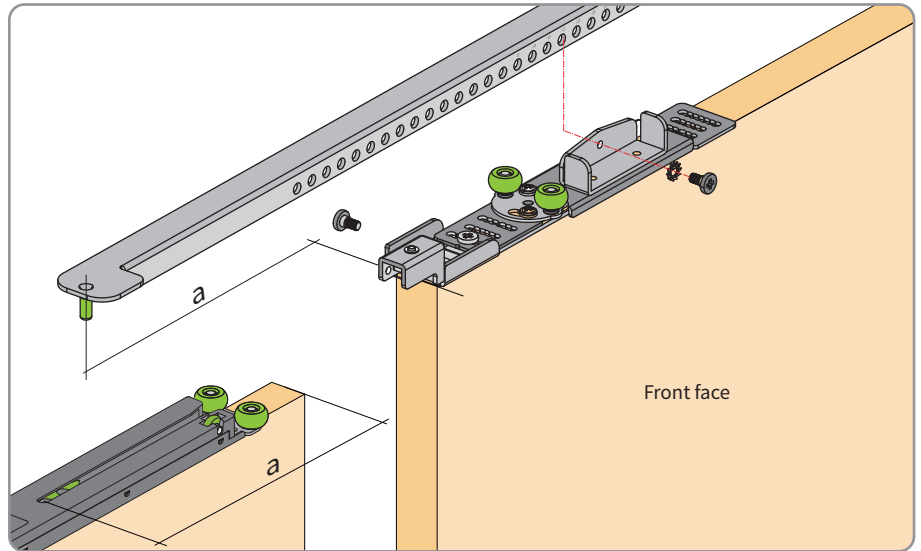
6 Adjust the door balance (adjust the bottom rollers)



7 Anti-jumping stopper installation

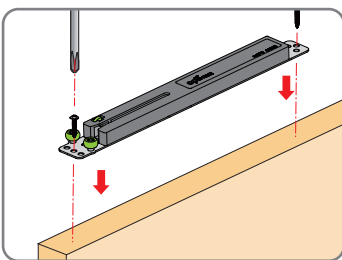


8 Calculate the length of installation by formula

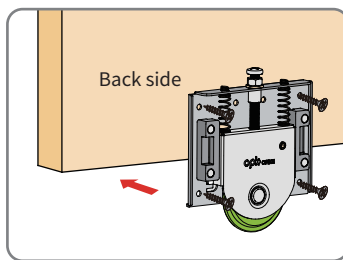


5 Installation of outer door

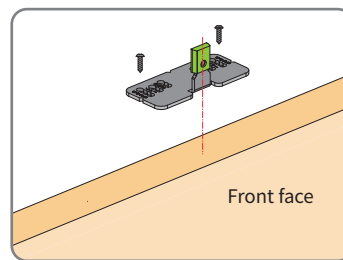
1 Install damping top roller



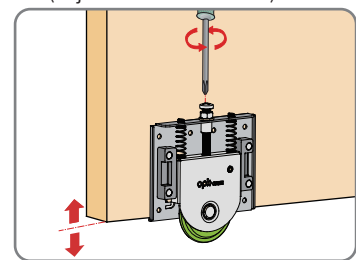
2 Install bottom roller



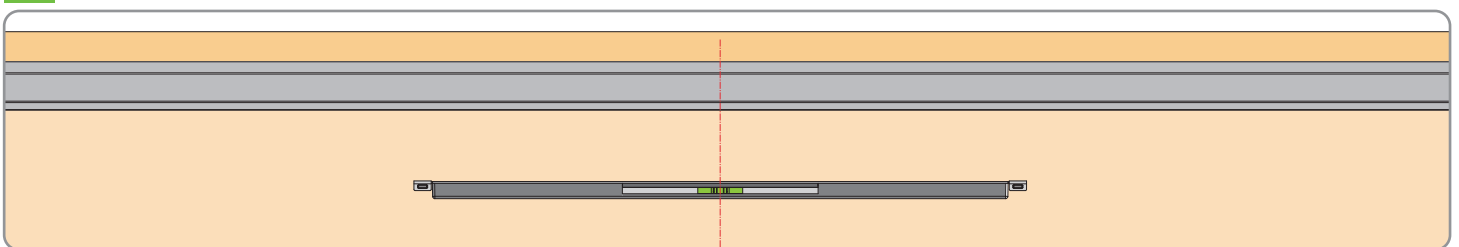
3 Install the stopper of damper in the middle of the panel of inner door



4 Adjust the door balance (adjust the bottom rollers)

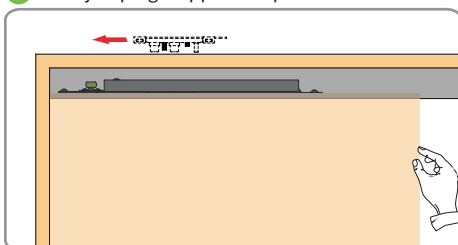


6 Install two-way damper in the middle of the outer track

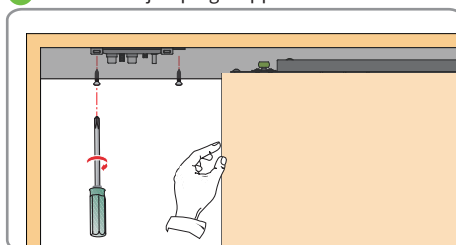


7 Adjust door

1 Anti-jumping stopper into place



2 Fix the anti-jumping stopper



3 Adjust the level height

