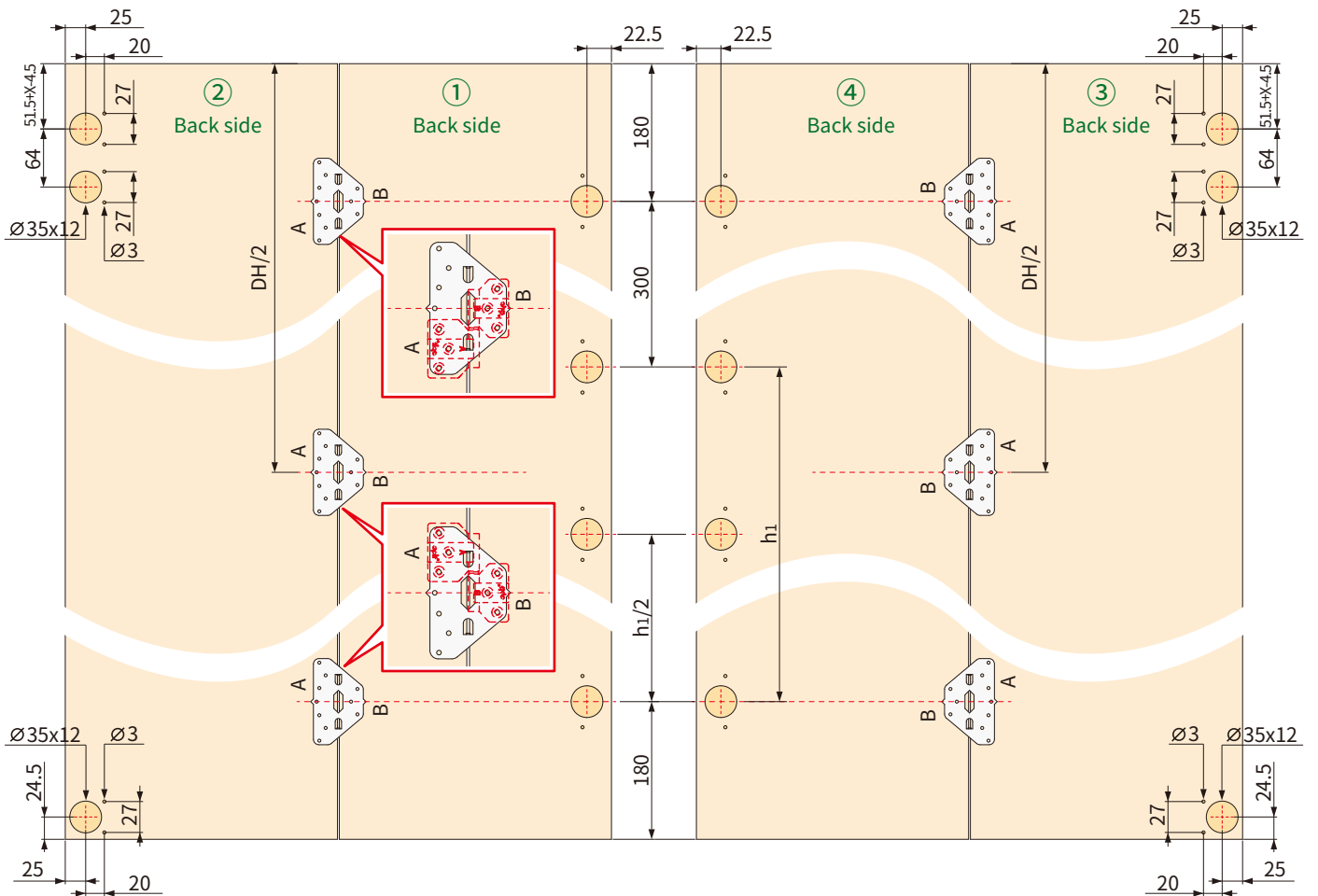
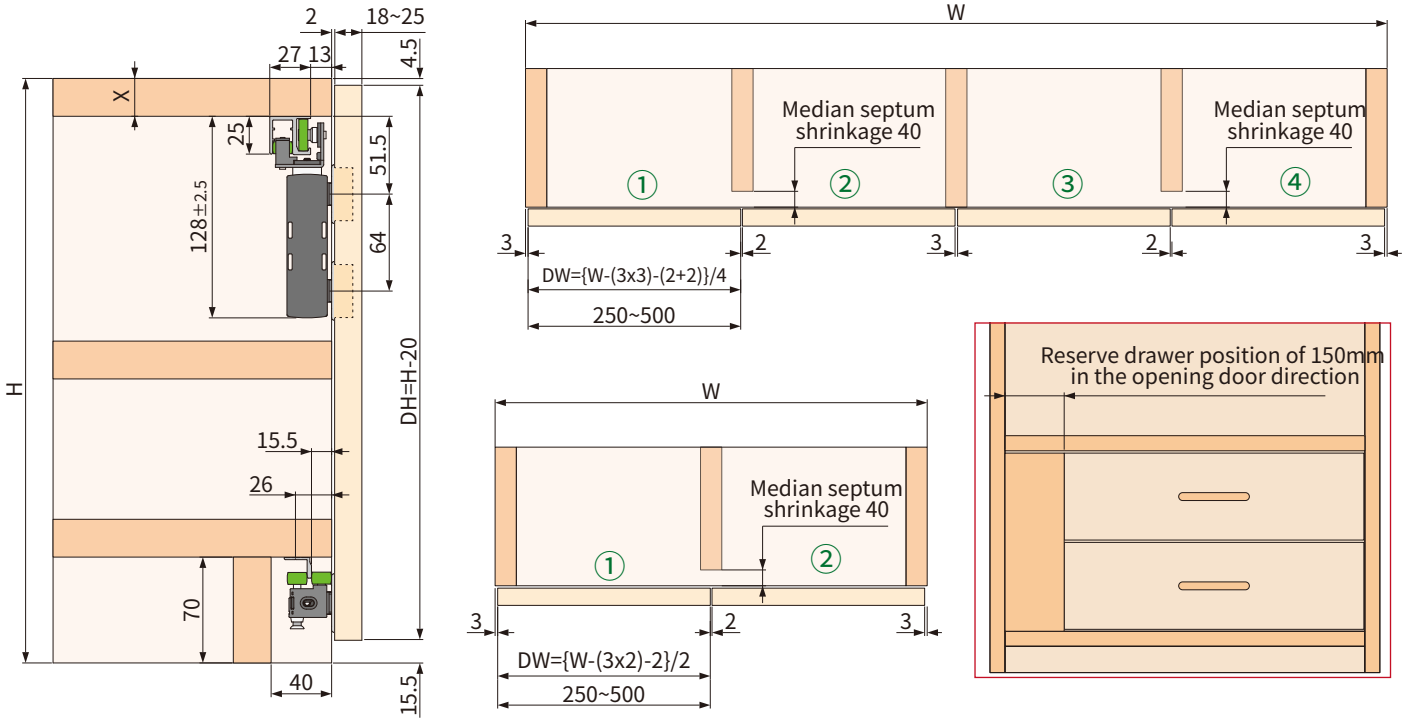
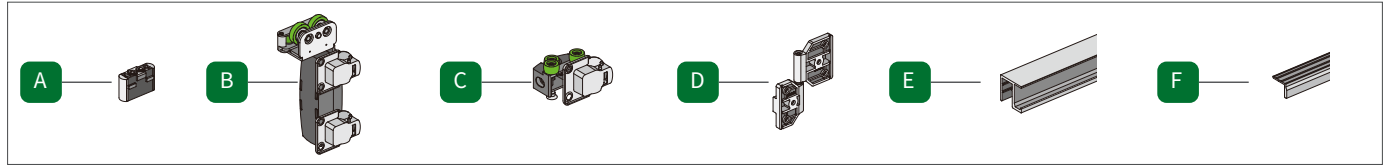
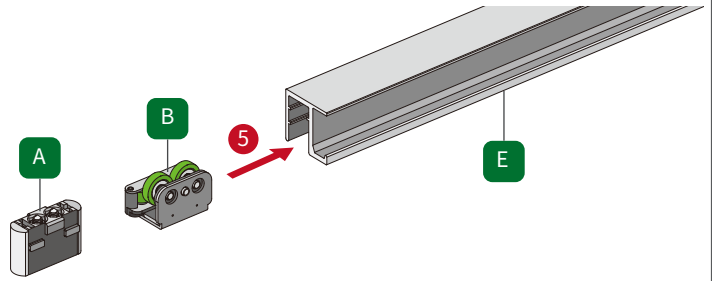
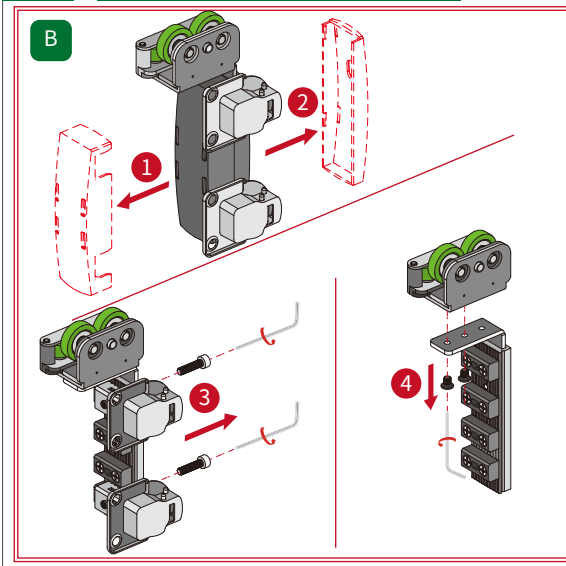


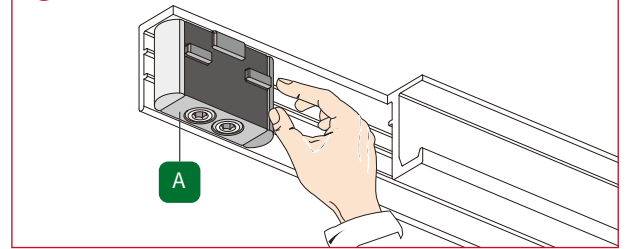
Sailing 4-Large Folding Wooden Door -Mounting Instruction



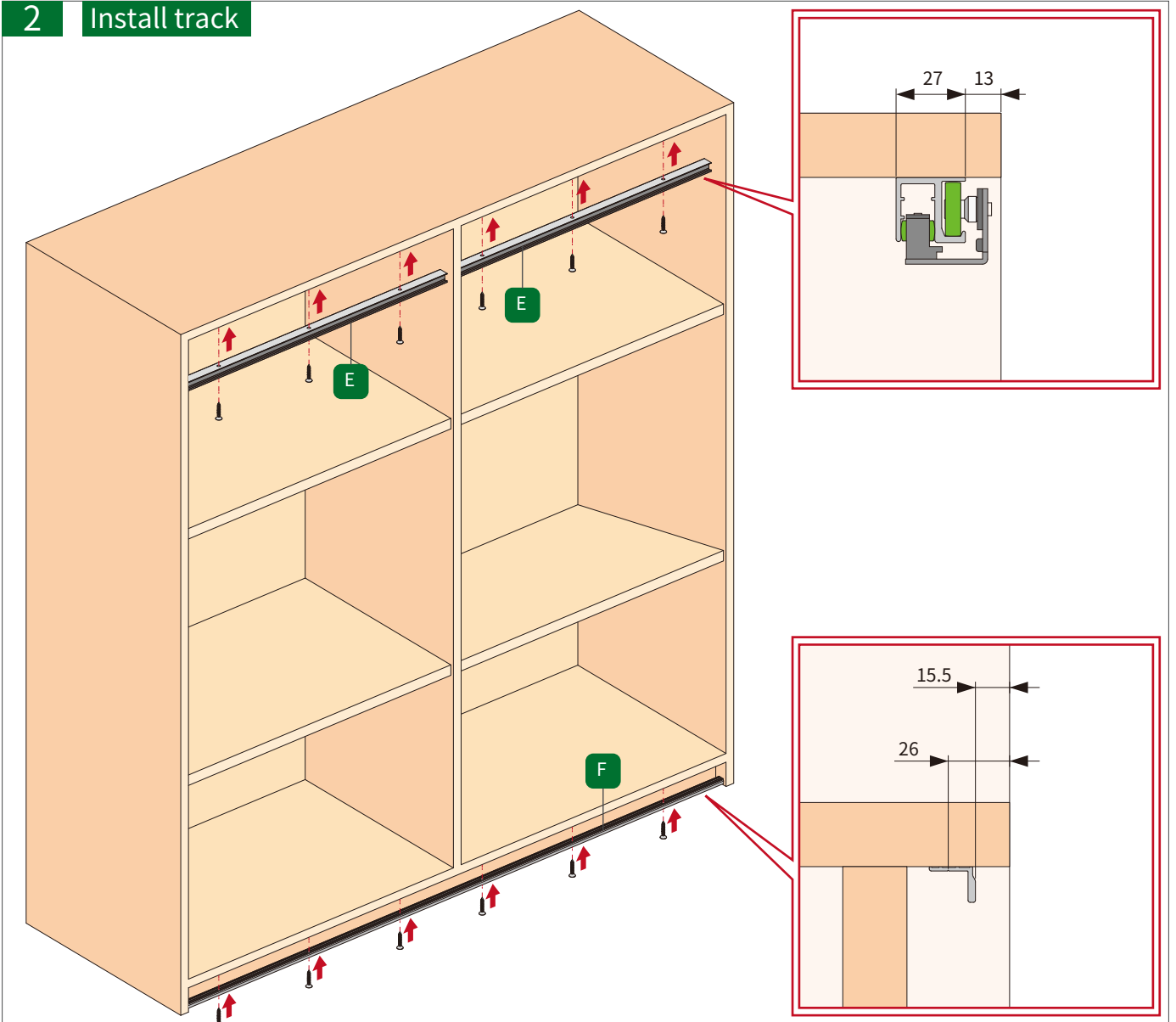
1 Install the track fittings



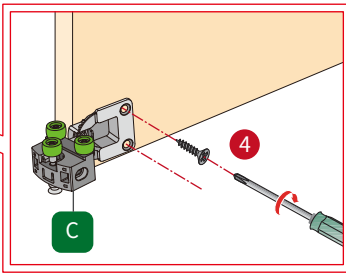
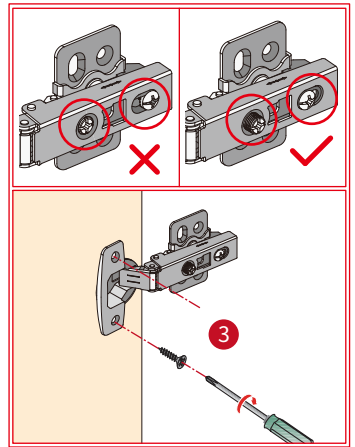
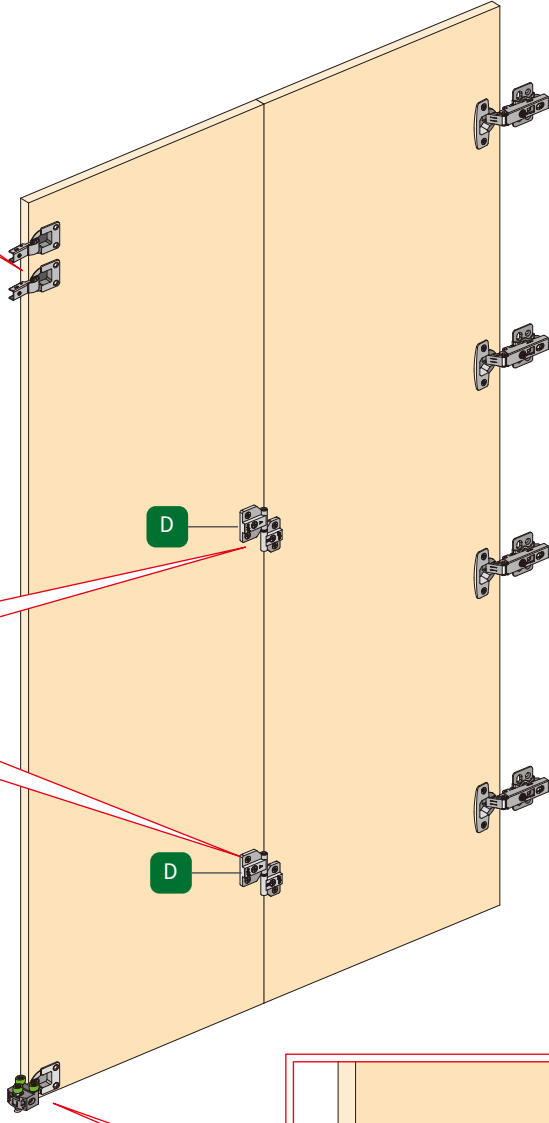
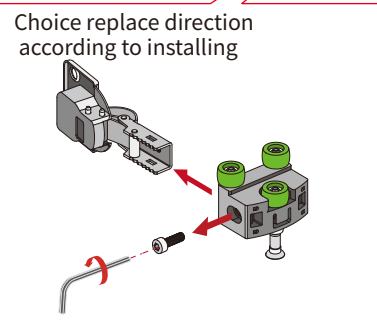
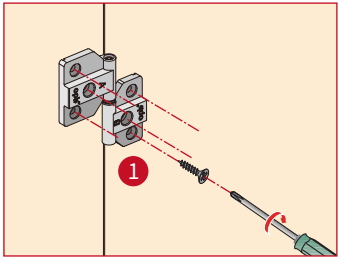
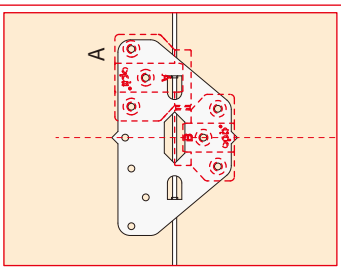
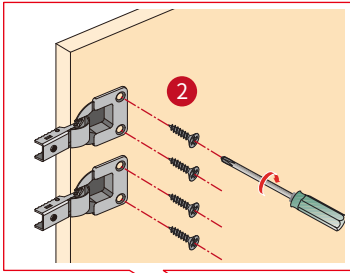
6 Push the stopper to the edge of track



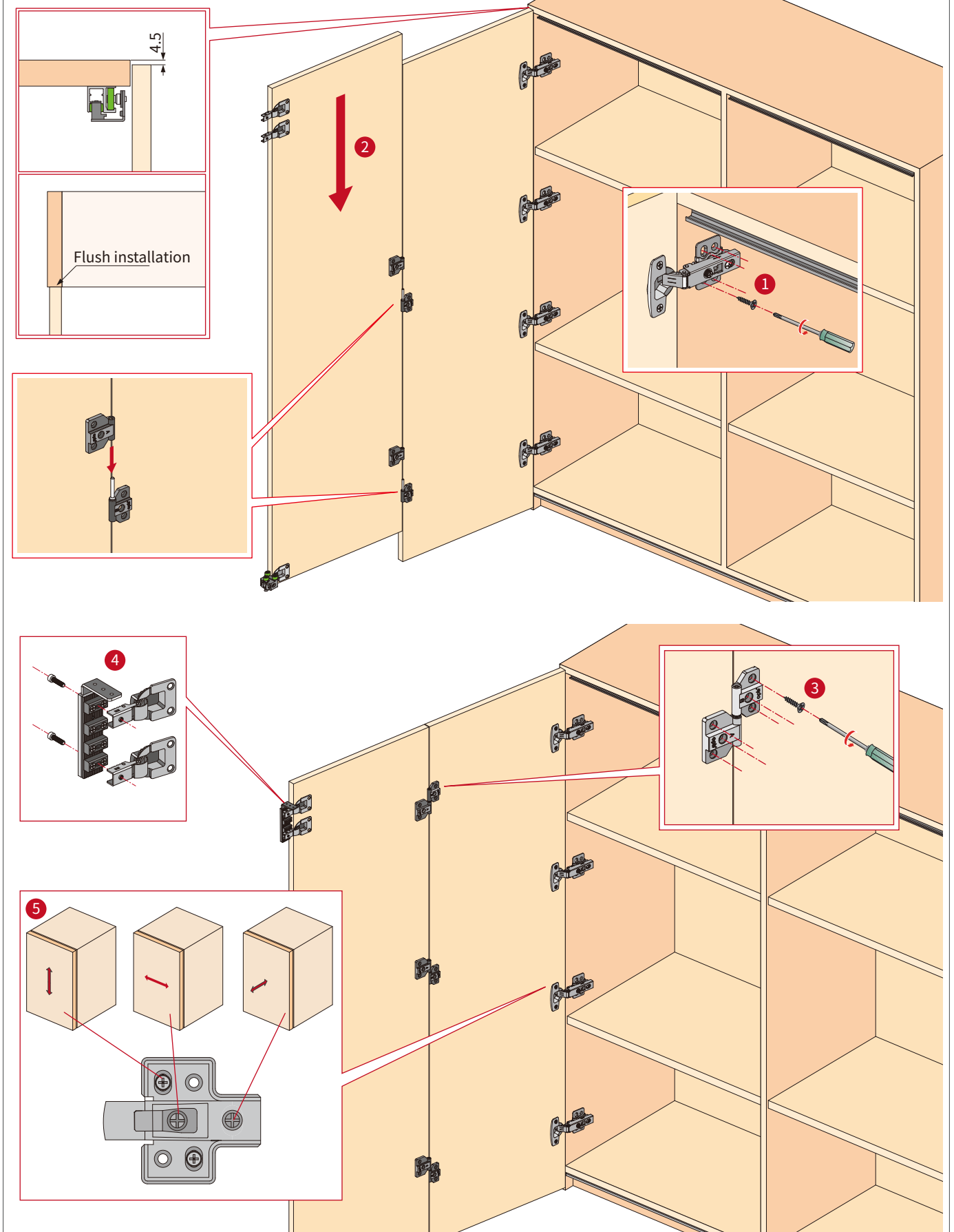
2 Install track



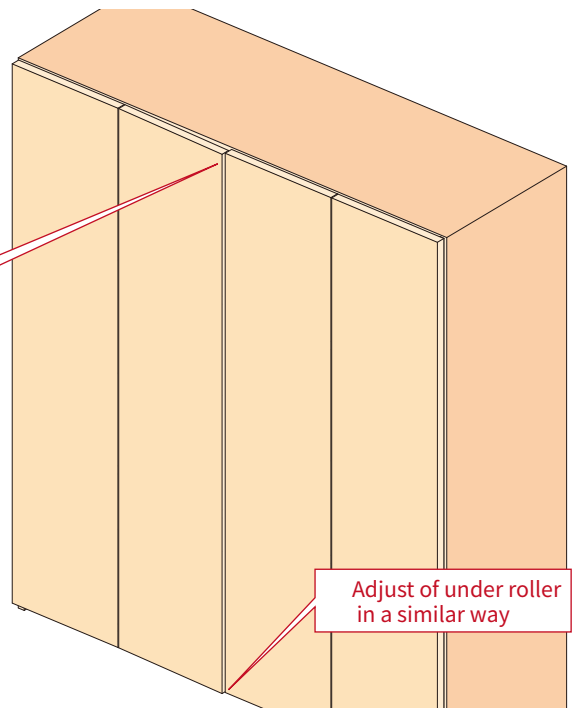
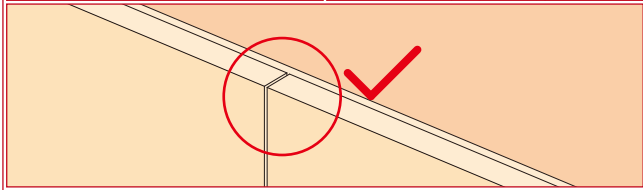
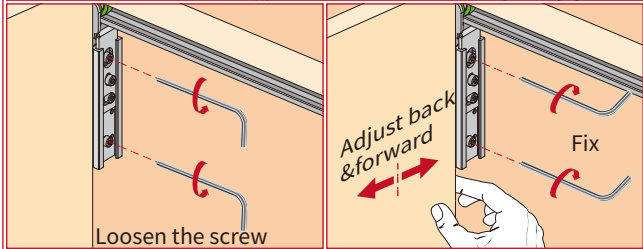
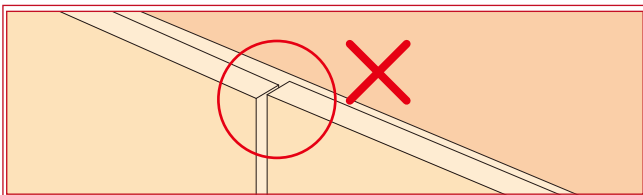
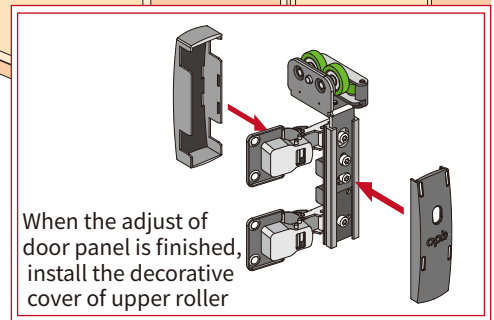
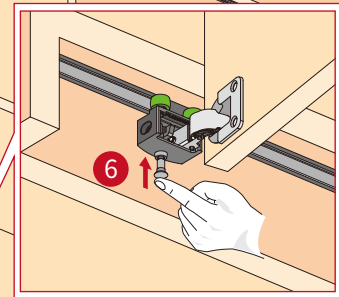
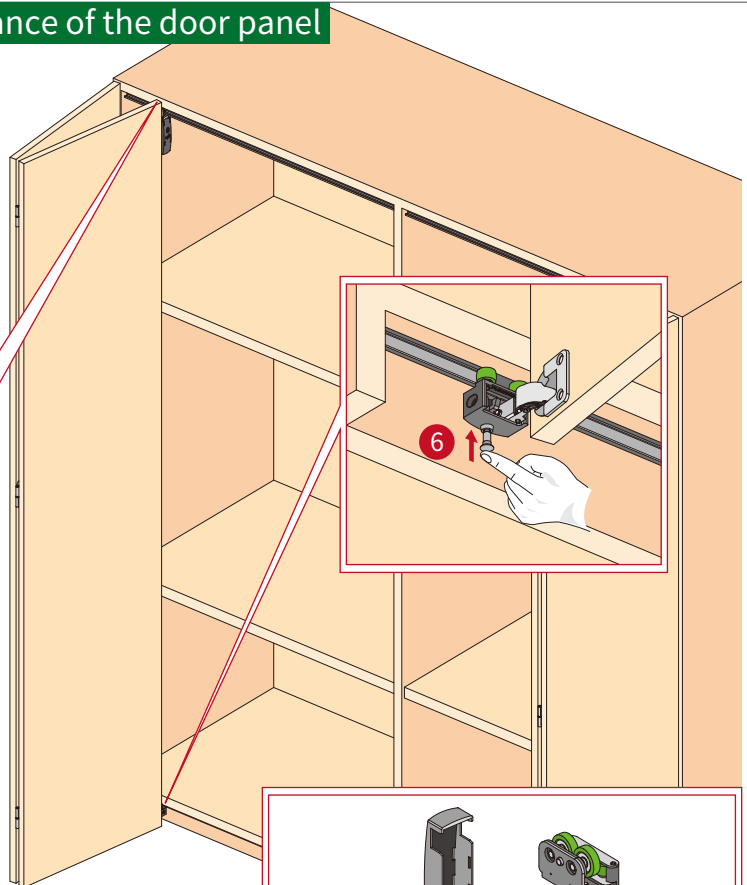
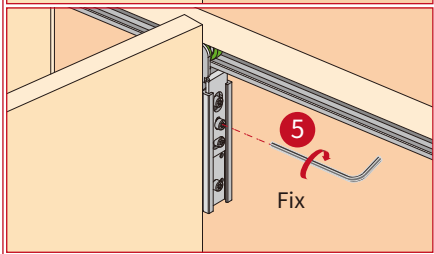
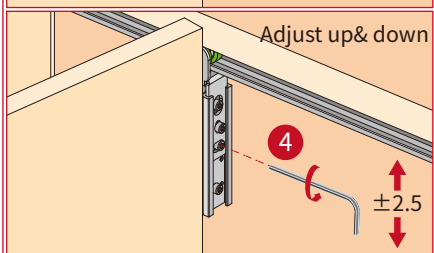
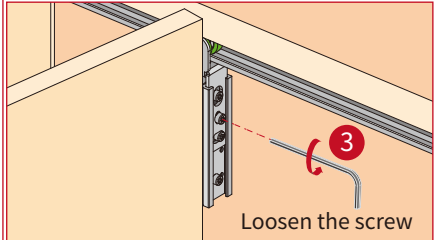
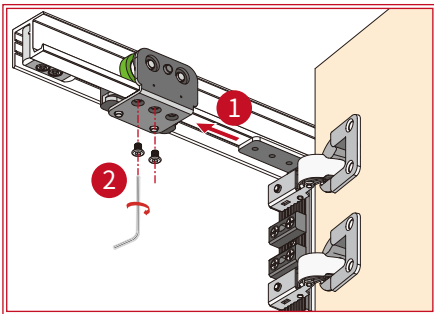
3 Install door panel fittings



4-1 Install door panel



4-2 Install door panel Adjust the balance of the door panel



Adjust of under roller in a similar way

5 Location stopper

