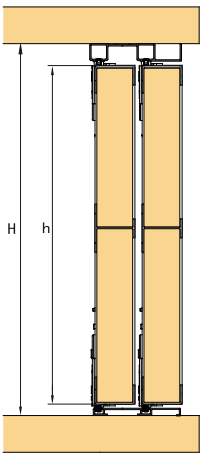


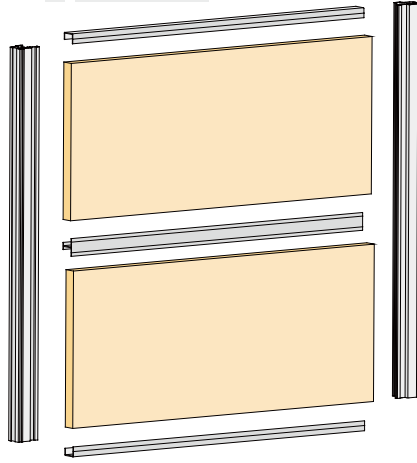
1 Cabinet requirements

Door height(h)=H-32mm

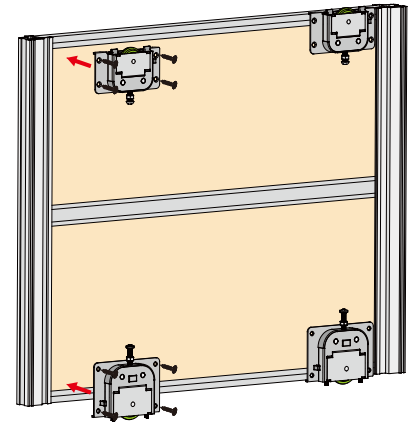


2 Assemble the door

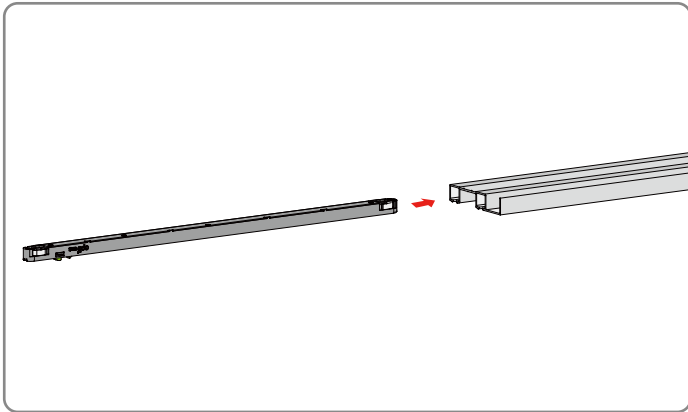
18mm wood



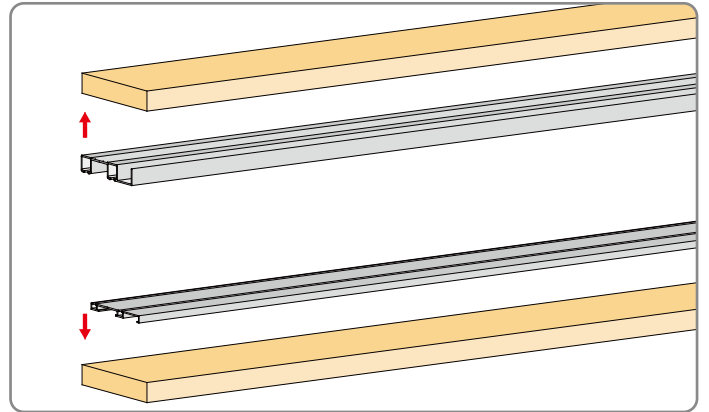
3 Install rollers



4 Install damper

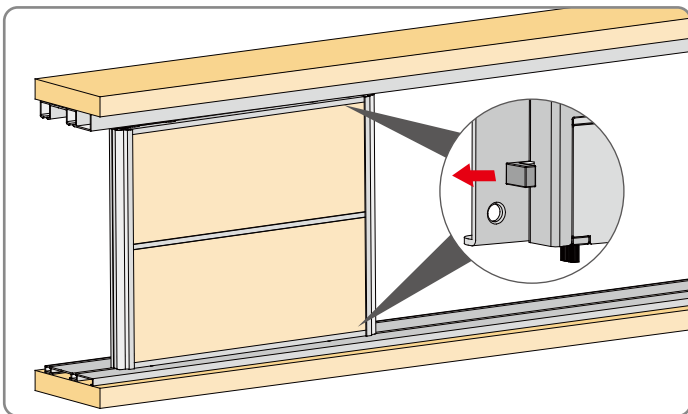


5 Install track



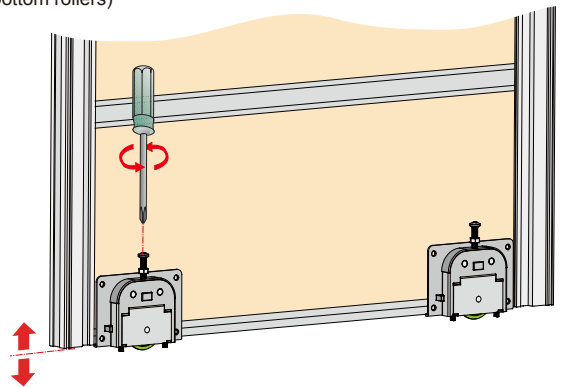
6 Install door panel

After fixing the door in the track, open the Switch button of top and bottom roller



7 Adjust the door

1 Adjust the door balance (adjust the bottom rollers)



2 Adjust the door damping

2.5mm hex wrench

