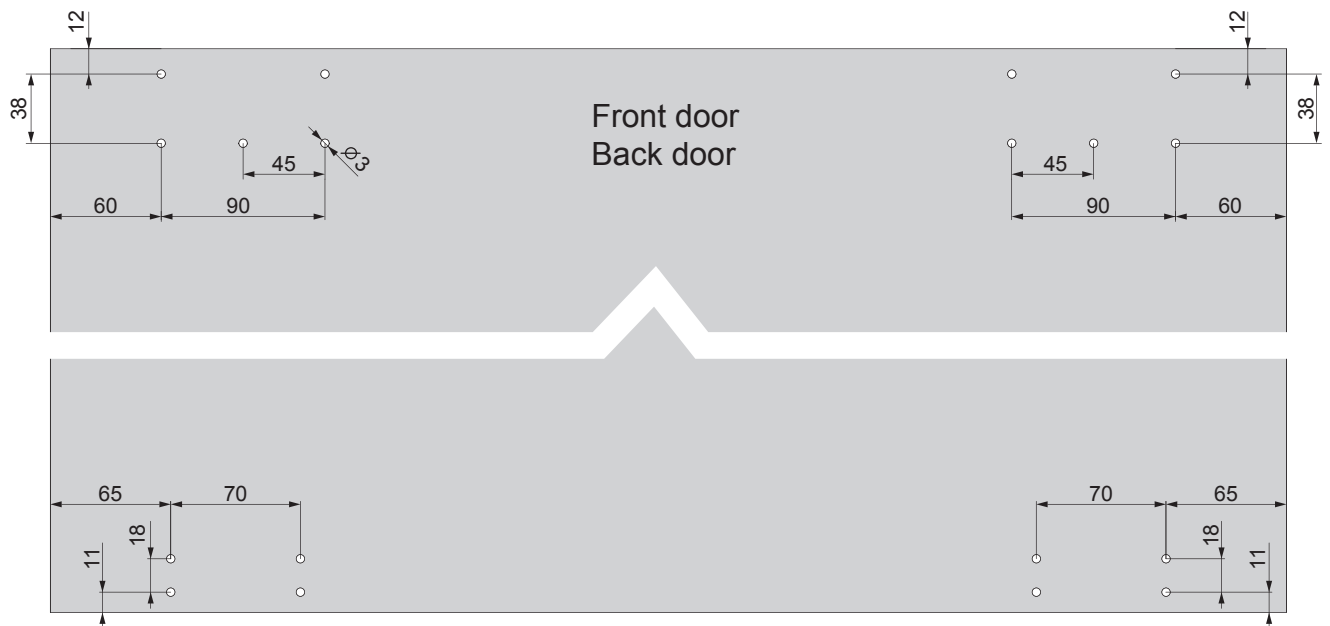
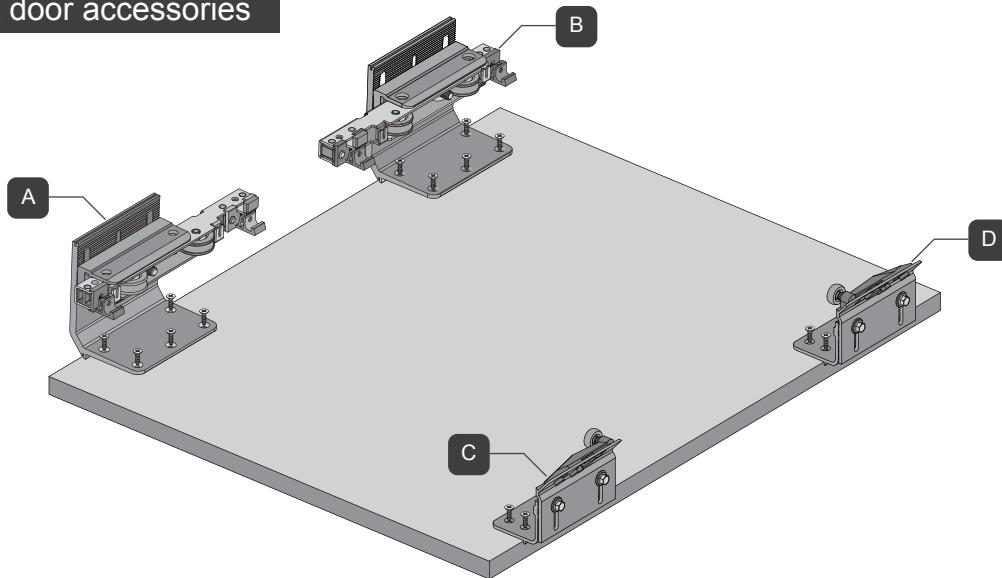


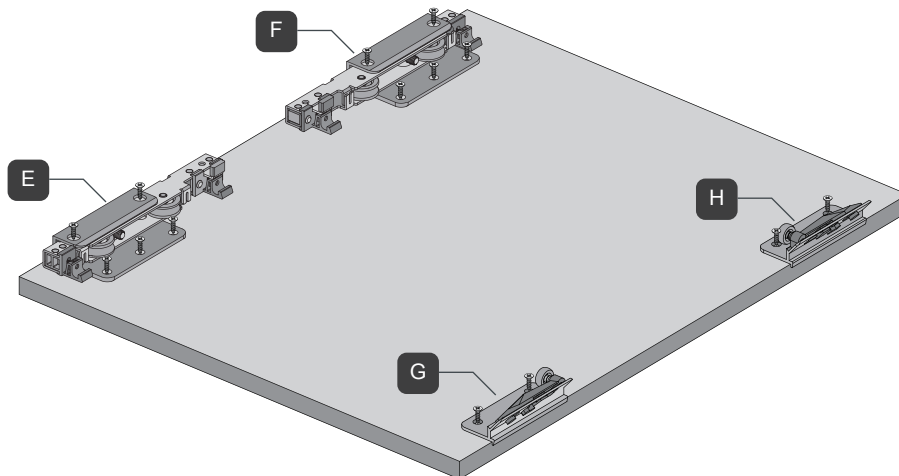
Installation dimensions



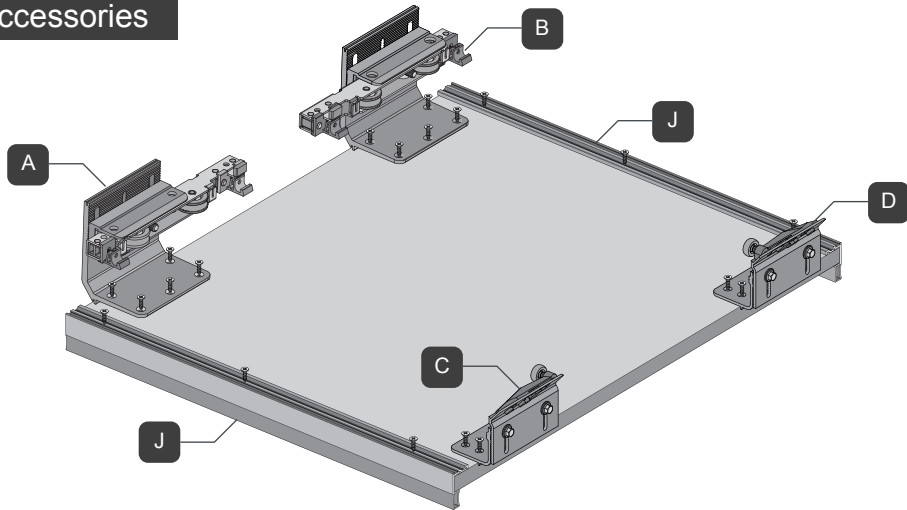
Install front door accessories



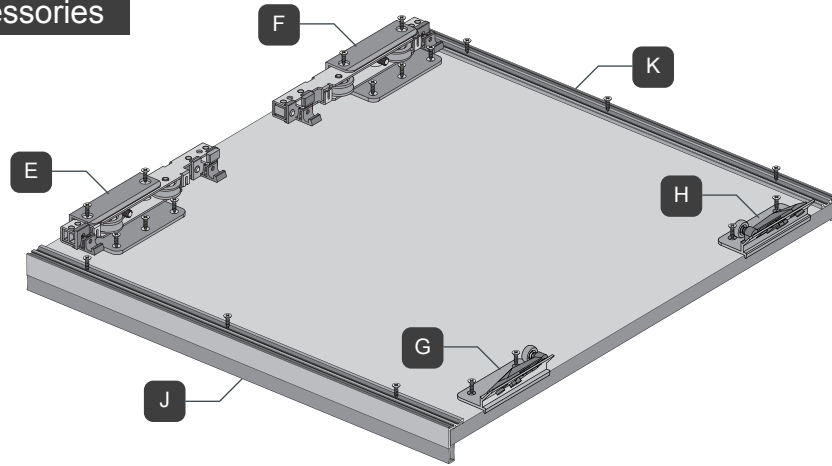
Install back door accessories



Install front door accessories

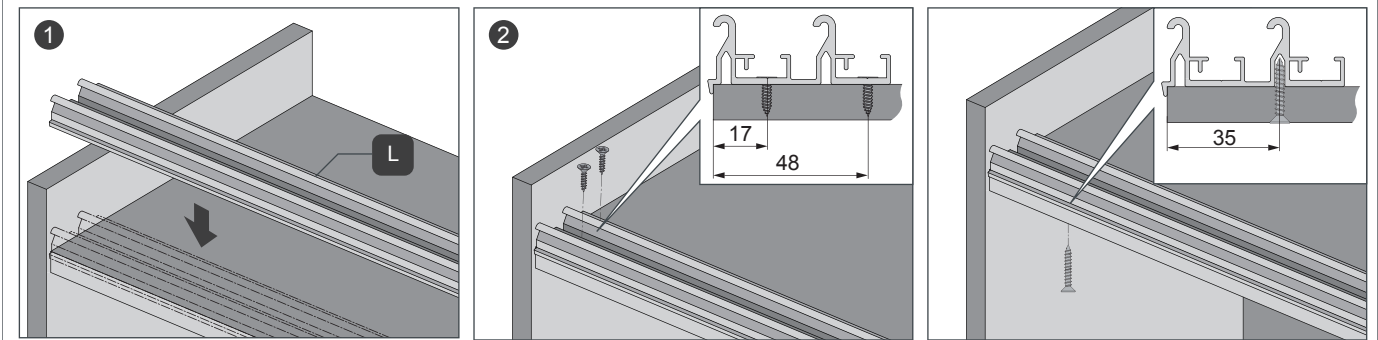


Install back door accessories

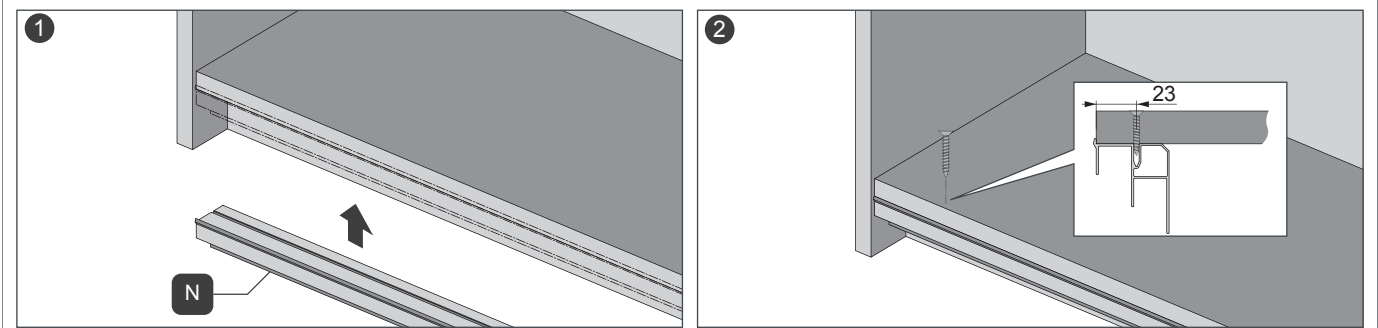


Install top track

Or

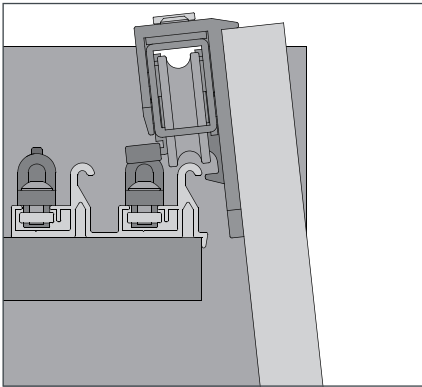


Install bottom track

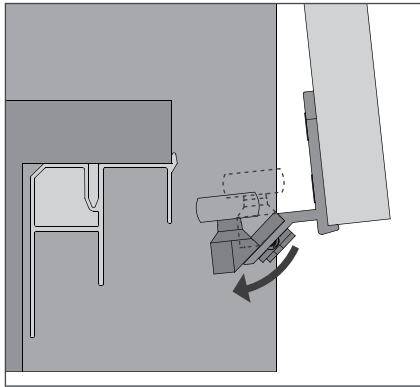


Install back door

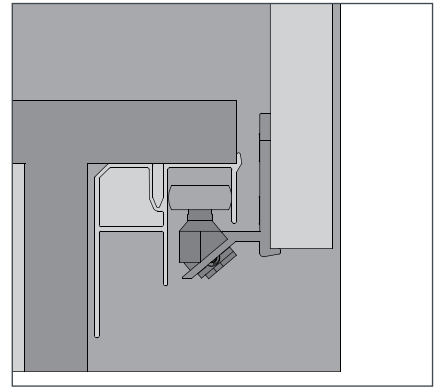
1



2

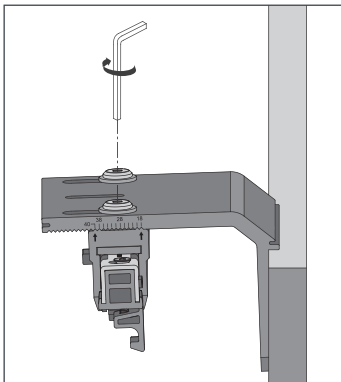


3

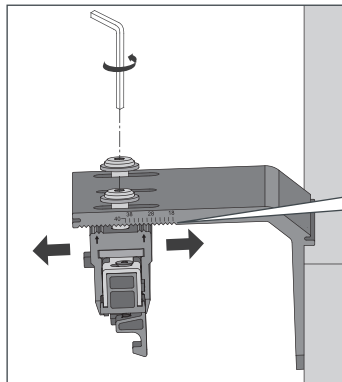


Install front door

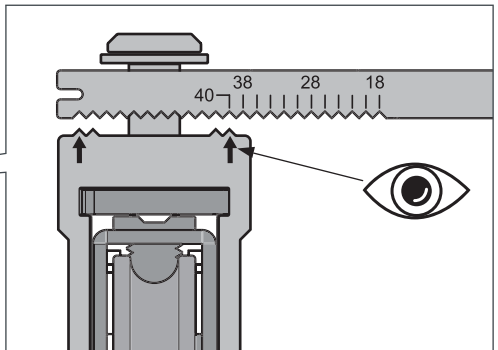
1 Loosing top running part



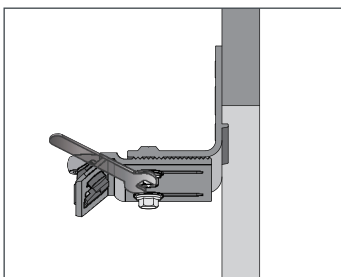
2 Adjustment according to door thickness



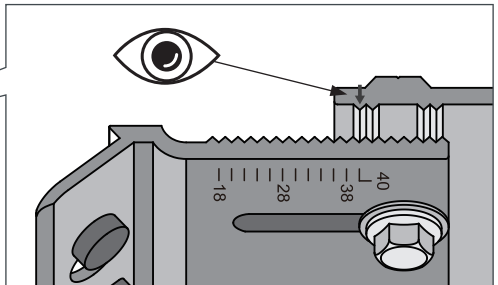
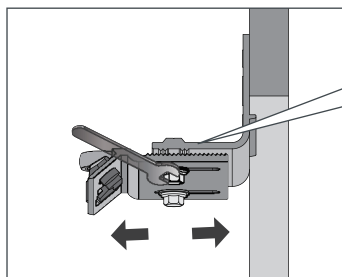
Door thickness:40mm



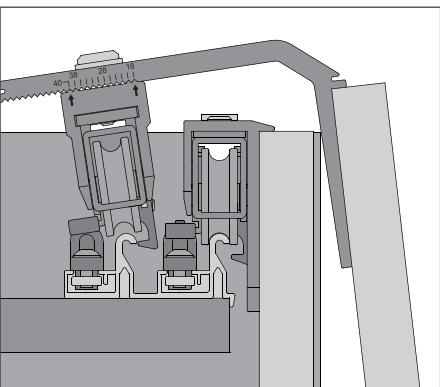
3 Loosing bottom guiding part



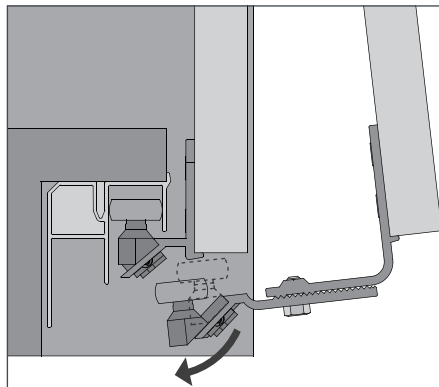
4 Adjustment according to door thickness



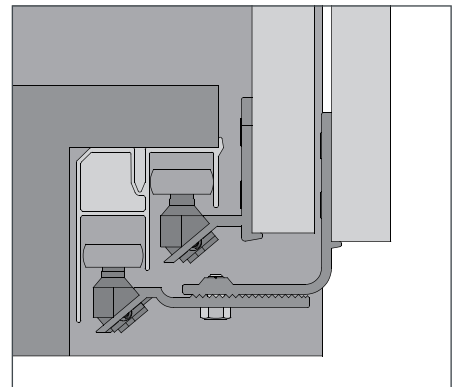
5



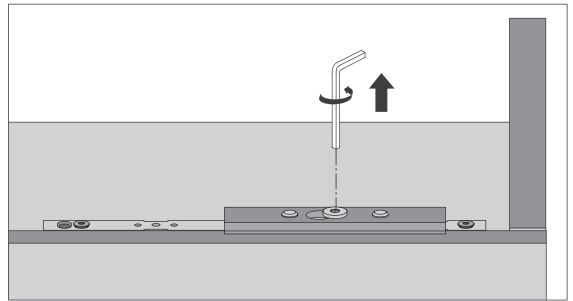
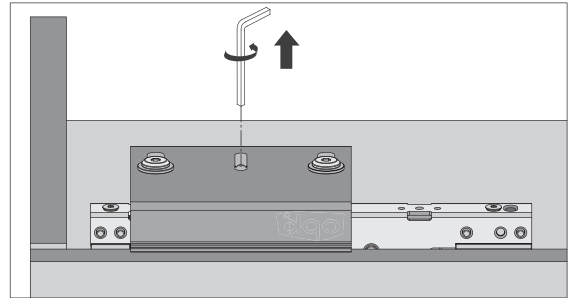
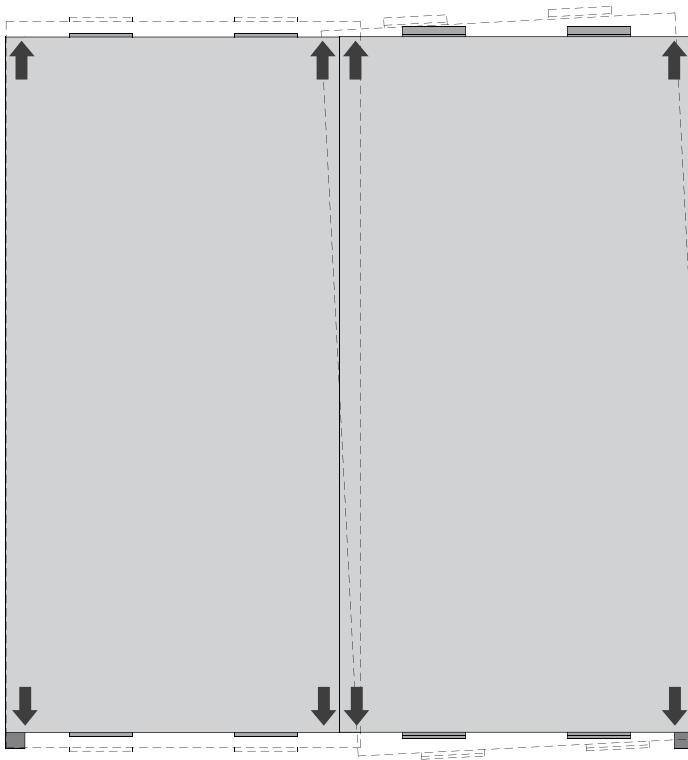
6



7

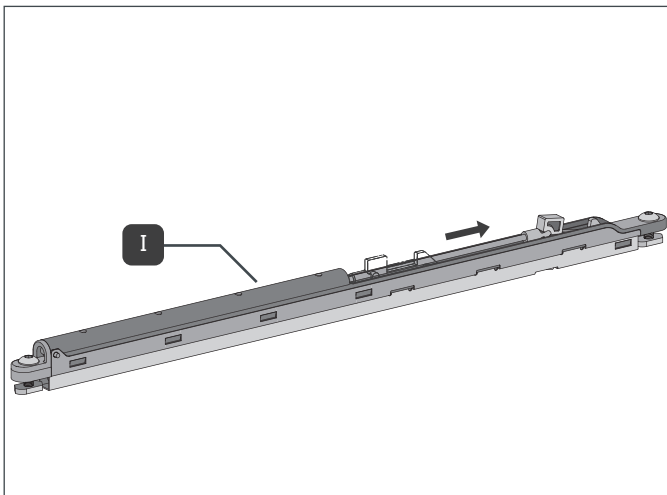


Door height adjustment

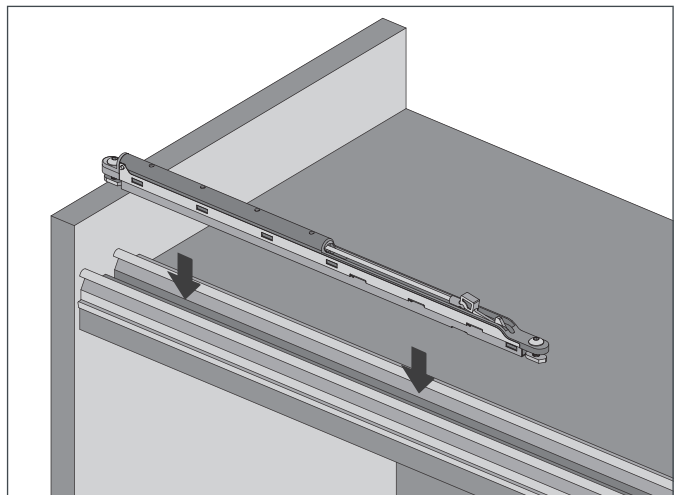


Install damper

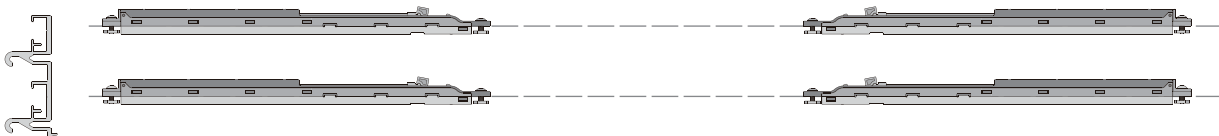
1 Open the damper hook



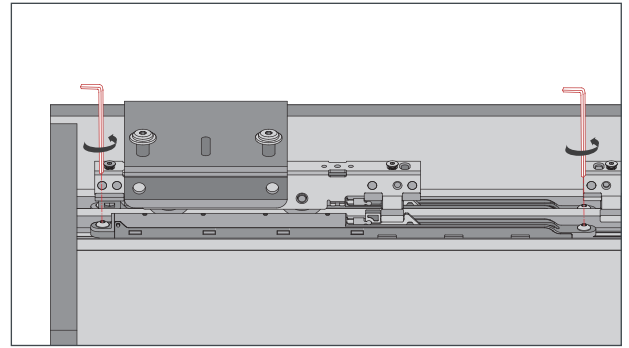
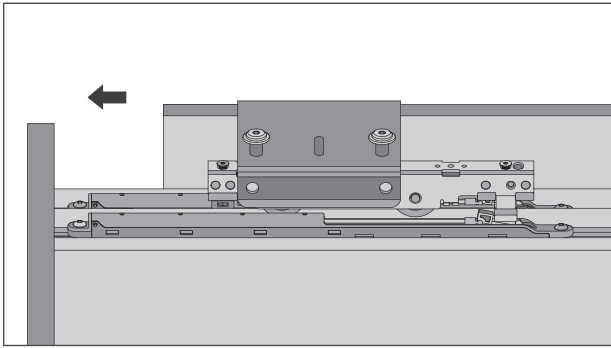
2



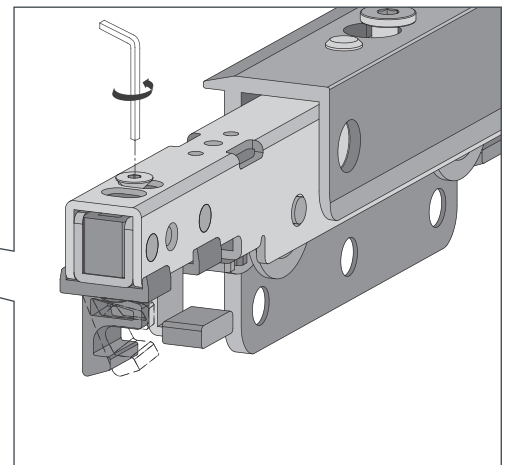
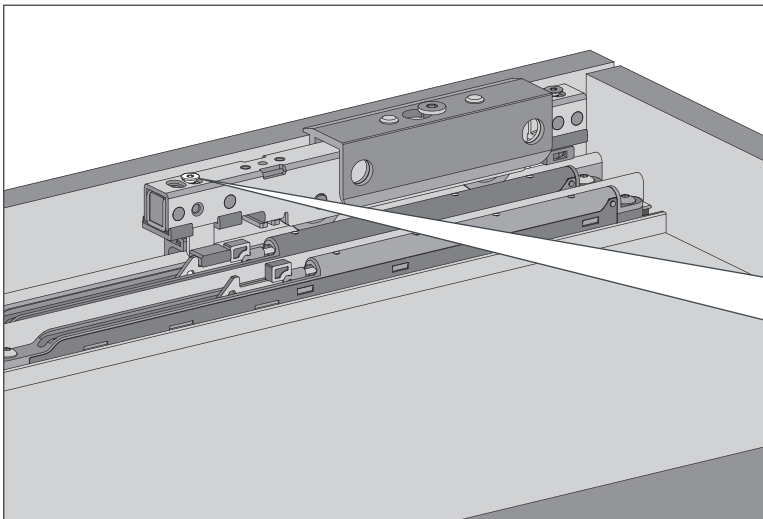
Damper location



Position the damper



Anti-jump hook adjustment



Install decorative cover for outer door (optional)

