

# opk SAILING 2



max. 2400mm



300-400mm



≥16mm



Möbel Systeme  
Furniture systems

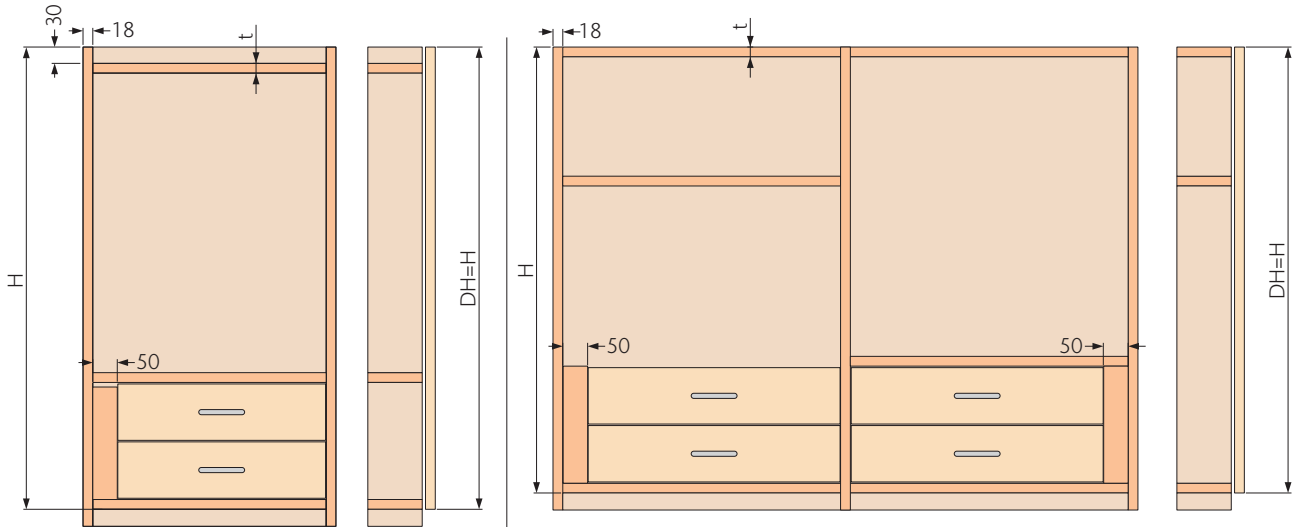
# opk Sailing 2



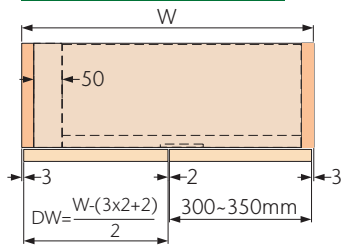
## Technische Zeichnung Technical drawing

Montage außen / Outer top mounting

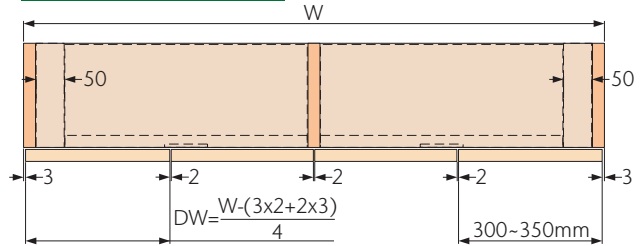
Montage innen / Inner ceiling mounting



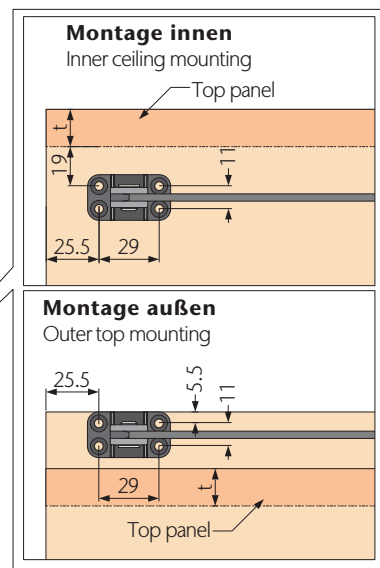
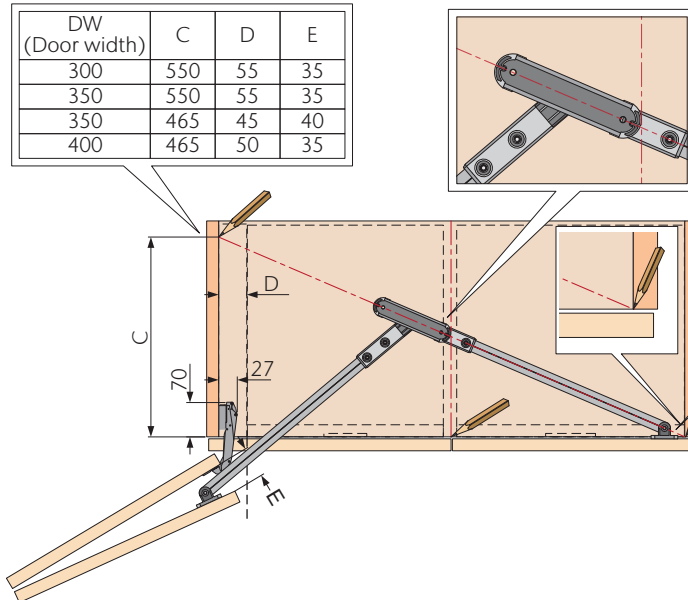
2 Türen / 2 Doors



4 Türen / 4 Doors



DW (Door width)	C	D	E
300	550	55	35
350	550	55	35
350	465	45	40
400	465	50	35



# opk Sailing 2



## Ohne Topfscharnier

Without hinge



Art.-Nr./No.

		<p>Door panel weight depends on hinges.</p>	<p>300-400</p>	<p>≤2400</p>	<p>01-971-000-000</p>
--	--	---	----------------	--------------	-----------------------

## Konfiguration für 2 Türen

Configuration for 2 doors

<p><b>Führungsstange</b> Guiding bar</p>		<p>1</p>
<p><b>Scharnier</b> Hinge</p>		<p>4</p>
<p><b>Bohrmuster</b> Drilling pattern</p>		<p>1</p>

# opk Sailing 2



**Mit Topfscharnier**  
*With hinge*



Art.-Nr./No.

		<p>≤12</p>	<p>300-400</p>	<p>≤2400</p>	<p>01-971-000-001</p>
--	--	------------	----------------	--------------	-----------------------

**Konfiguration für 2 Türen**  
*Configuration for 2 doors*



<p><b>Führungsstange</b> <i>Guiding bar</i></p>		<p>1</p>
<p><b>Scharnier 165° (gedämpft)</b> <i>165° Hinge (damped)</i></p>		<p>4</p>
<p><b>Scharnier</b> <i>Hinge</i></p>		<p>4</p>
<p><b>Bohrmuster</b> <i>Drilling pattern</i></p>		<p>1</p>