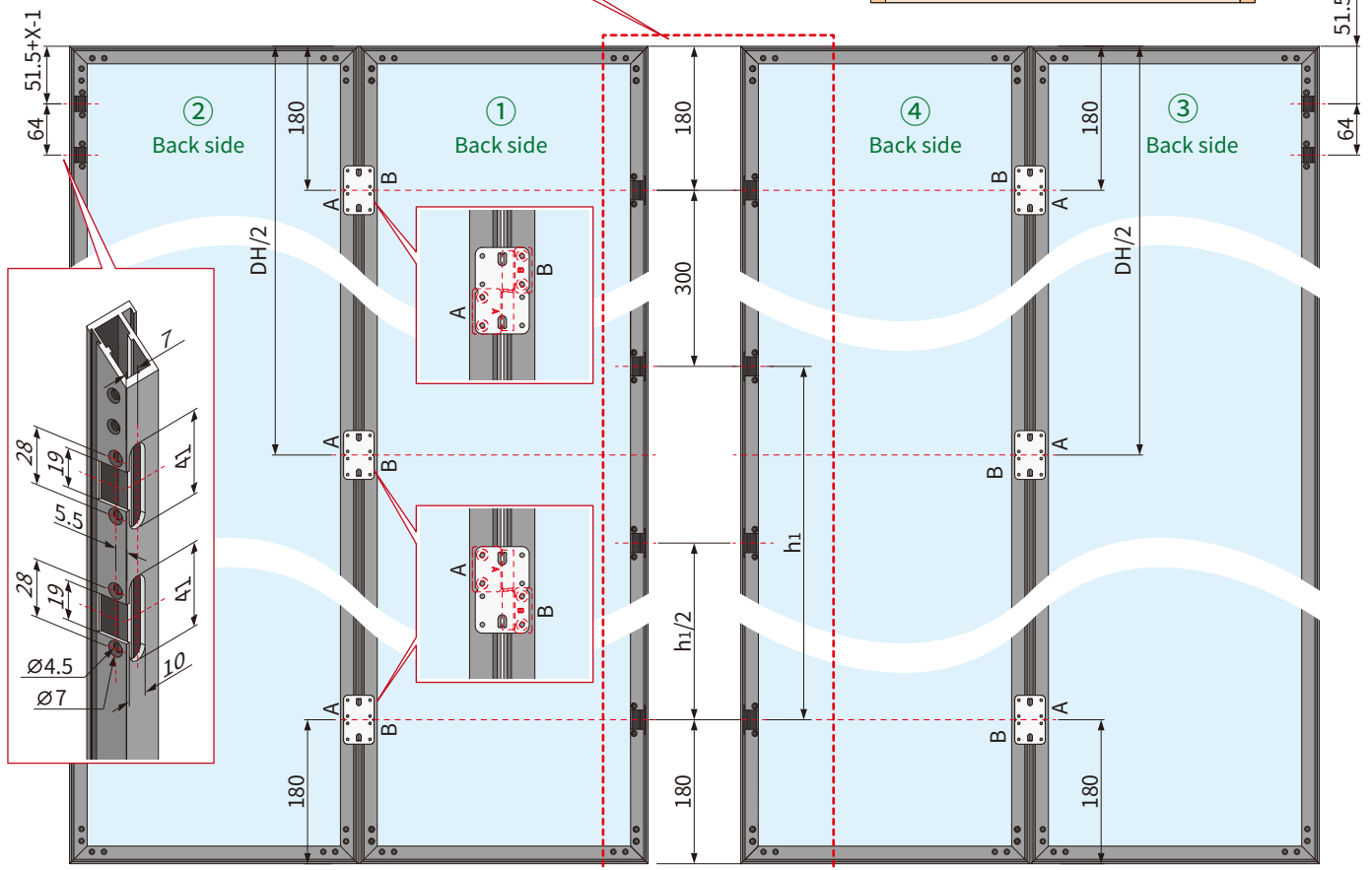
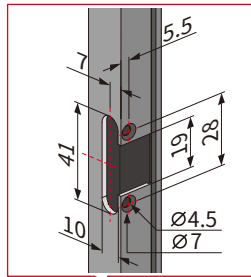
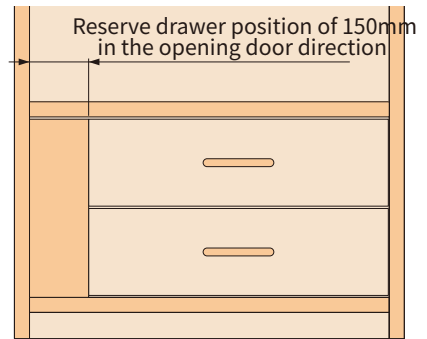
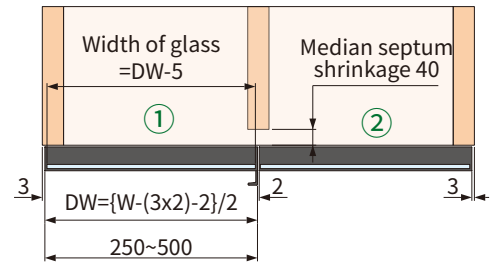
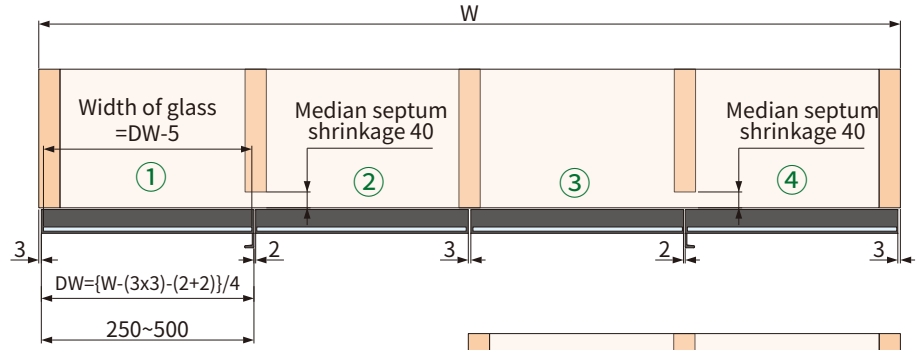
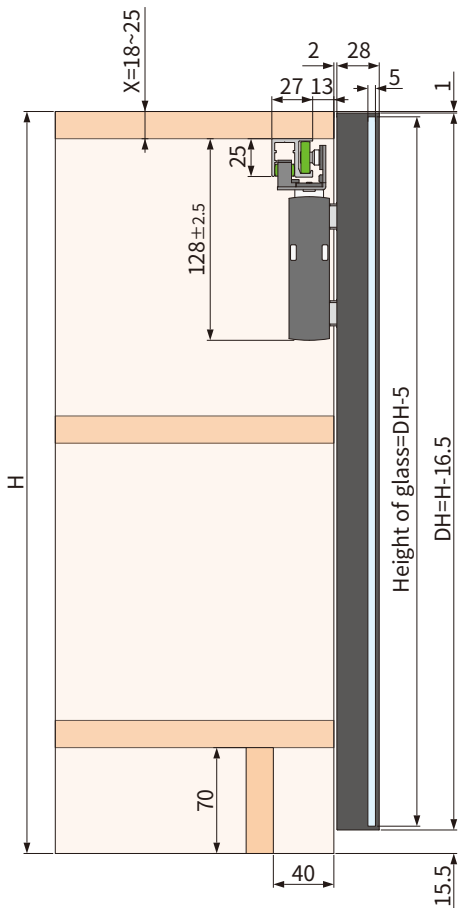
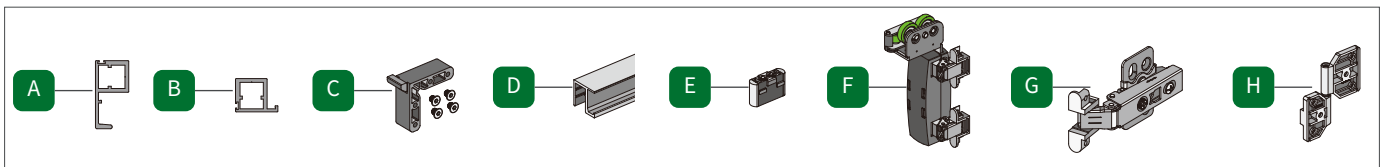
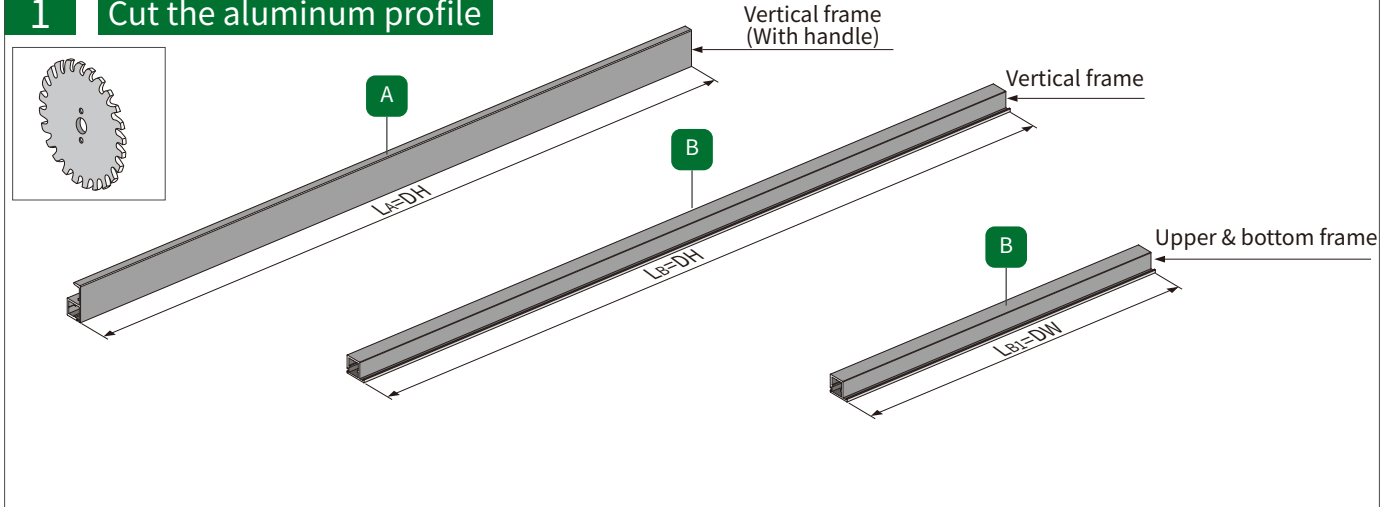


Sailing 4-Large Folding Aluminum Frame Door Mounting Instruction

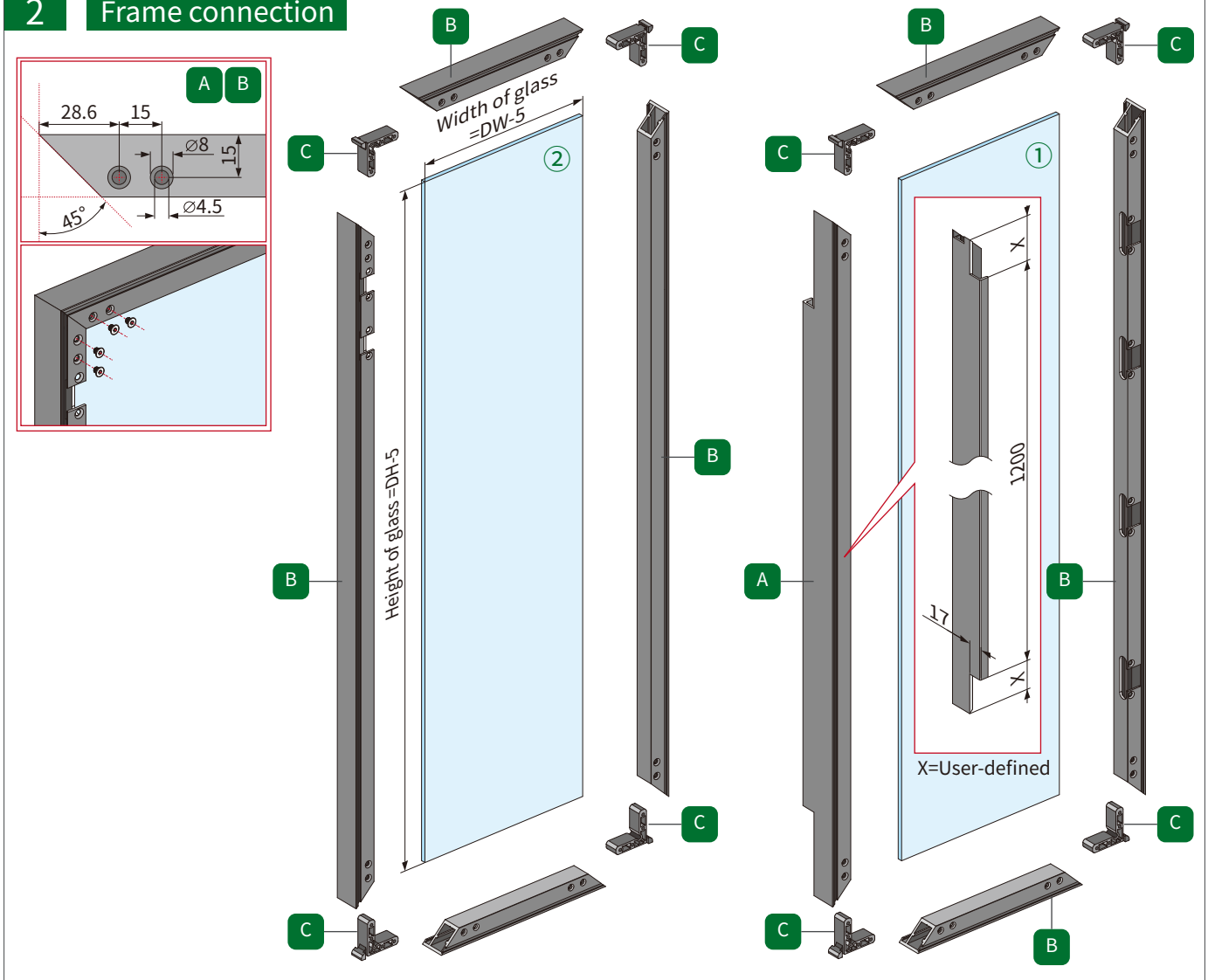




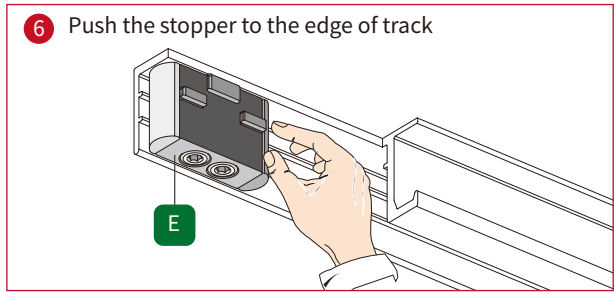
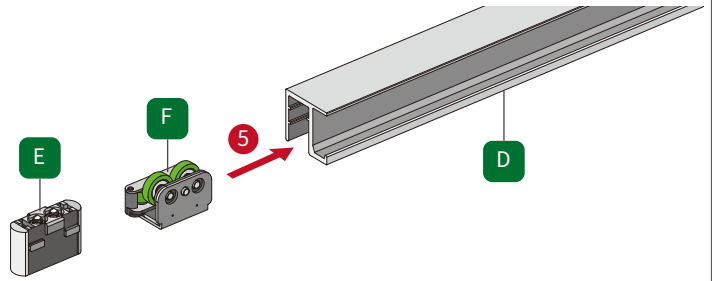
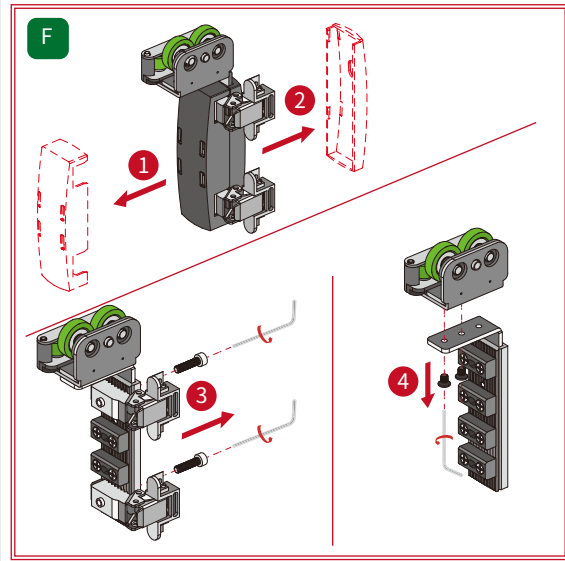
1 Cut the aluminum profile



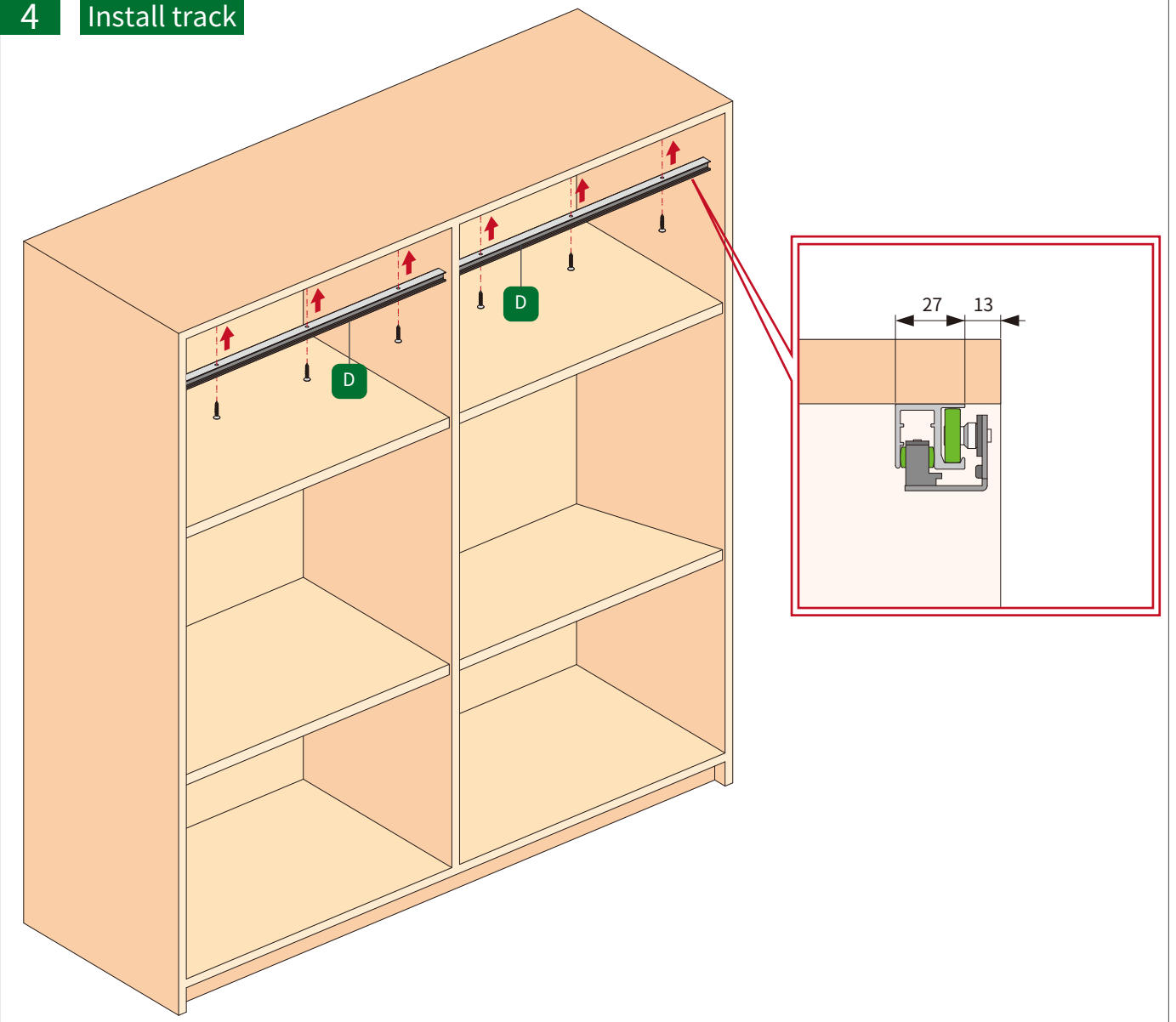
2 Frame connection



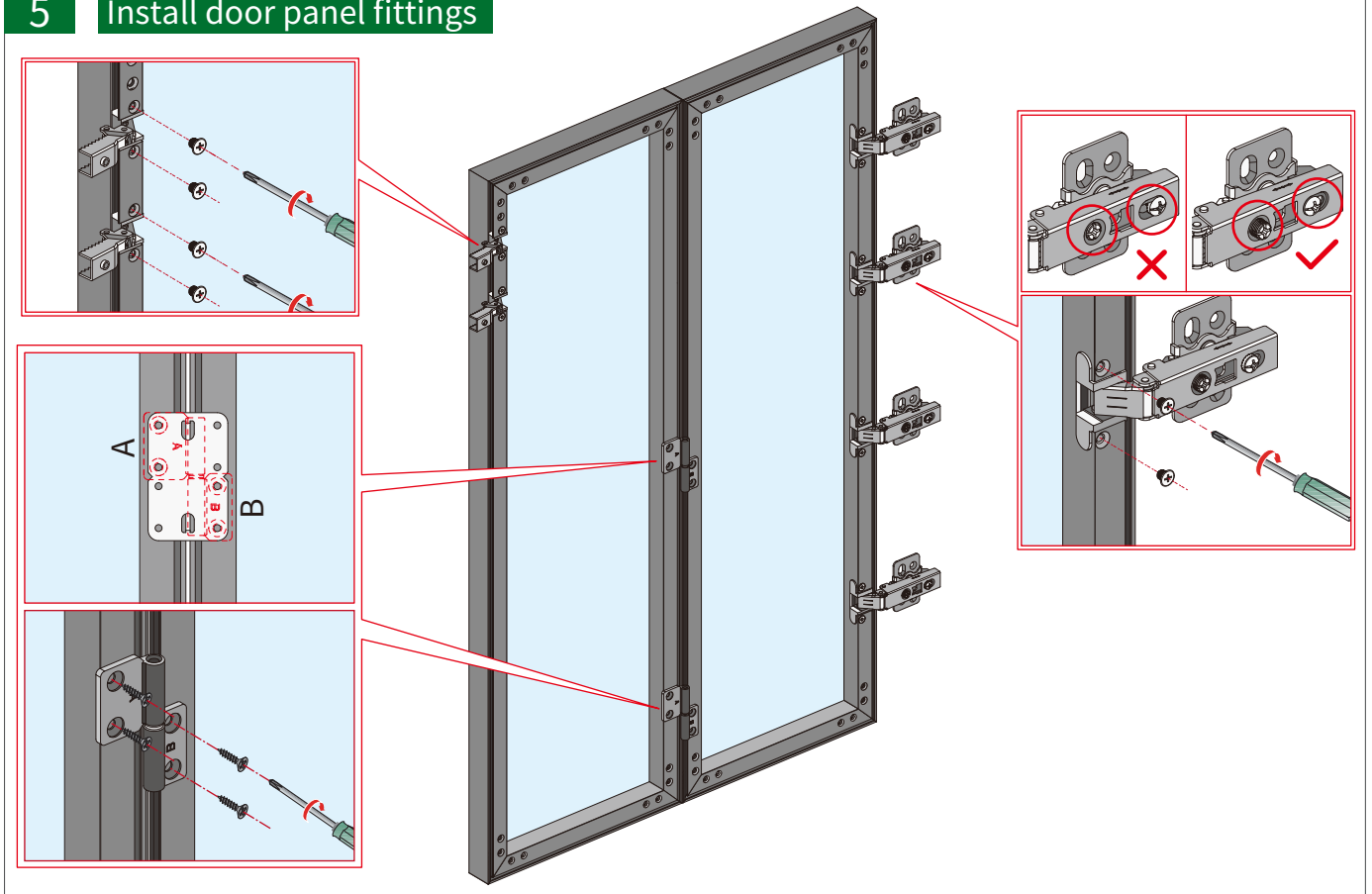
3 Install the track fittings



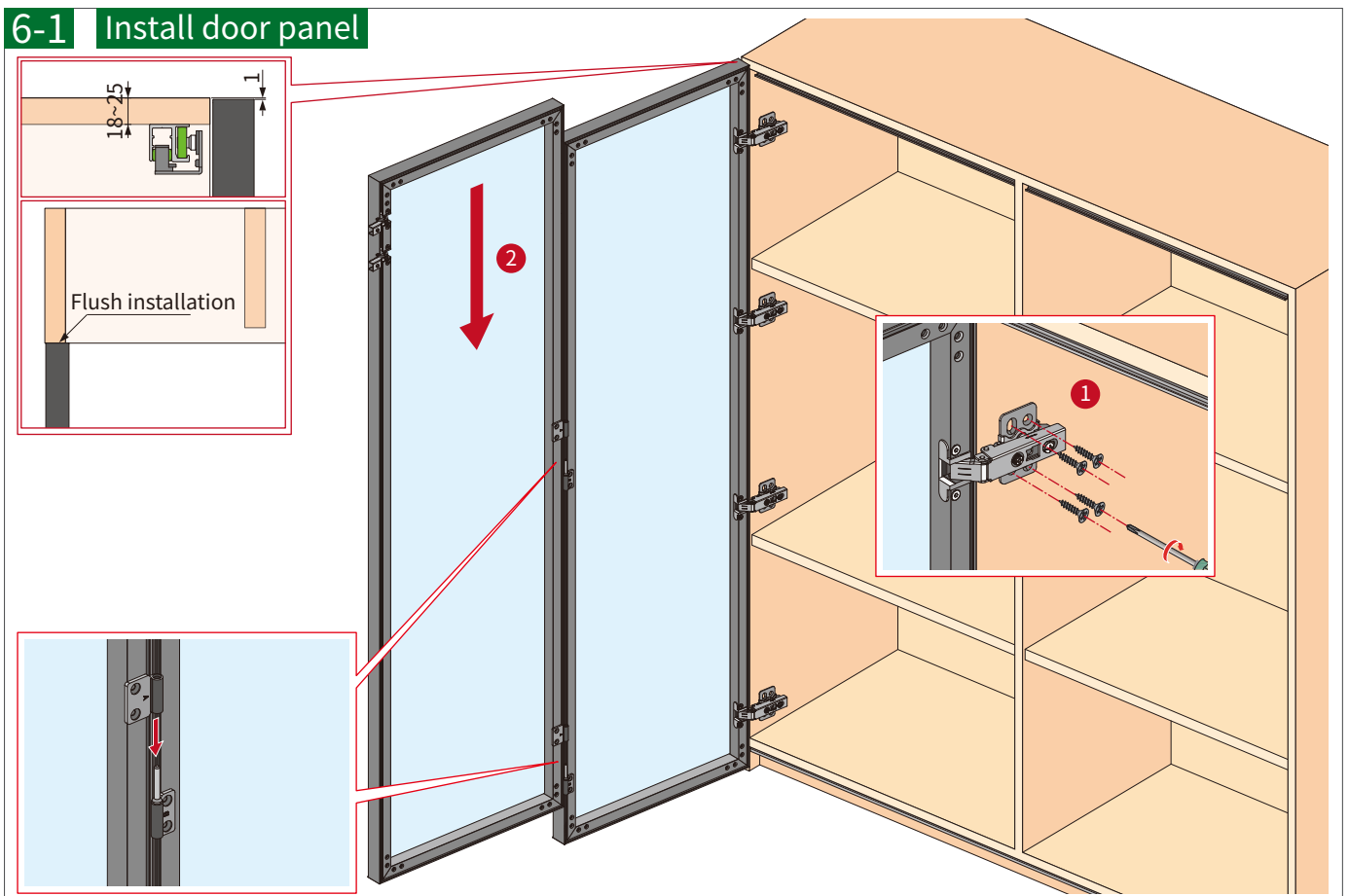
4 Install track



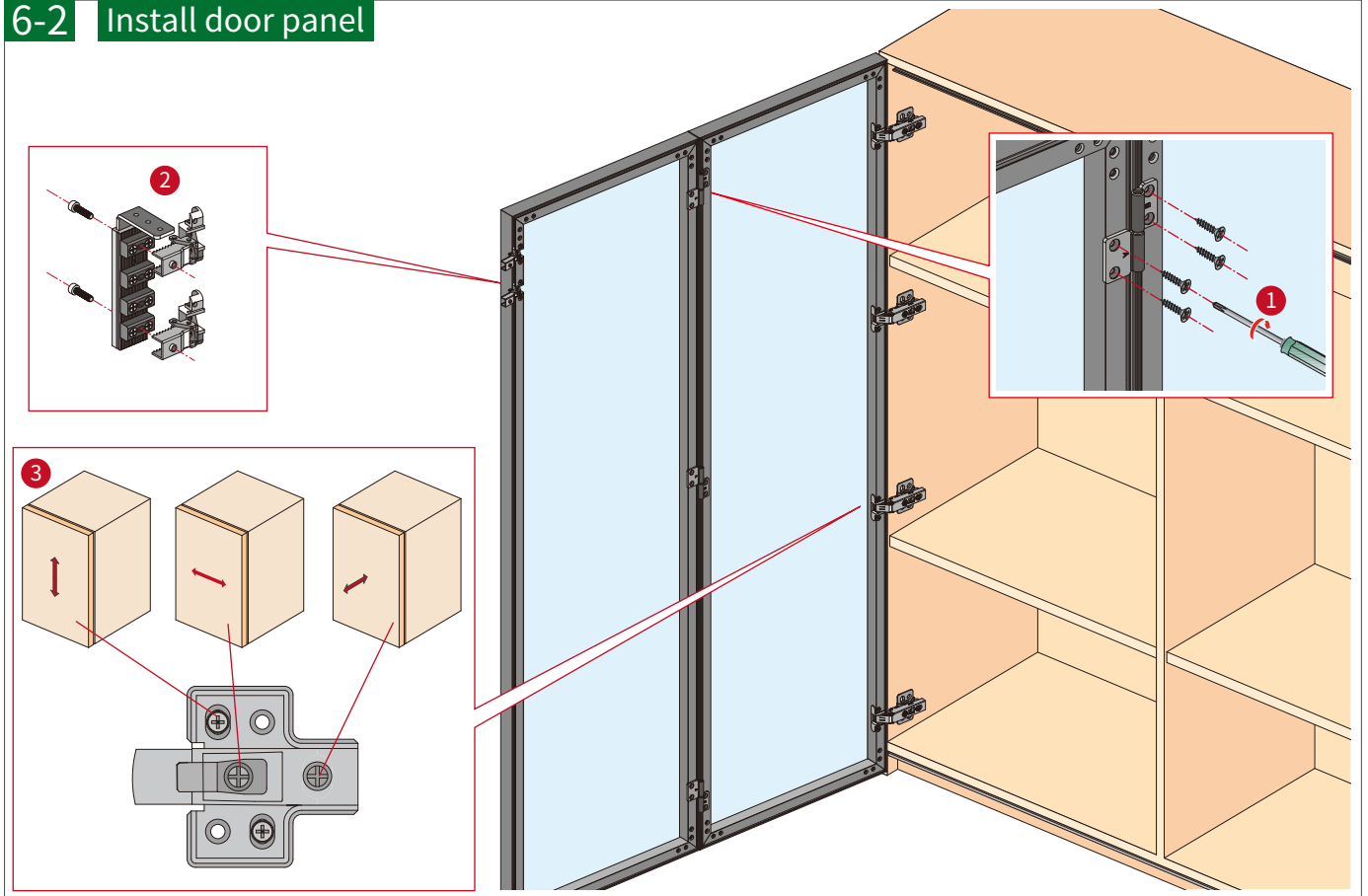
5 Install door panel fittings



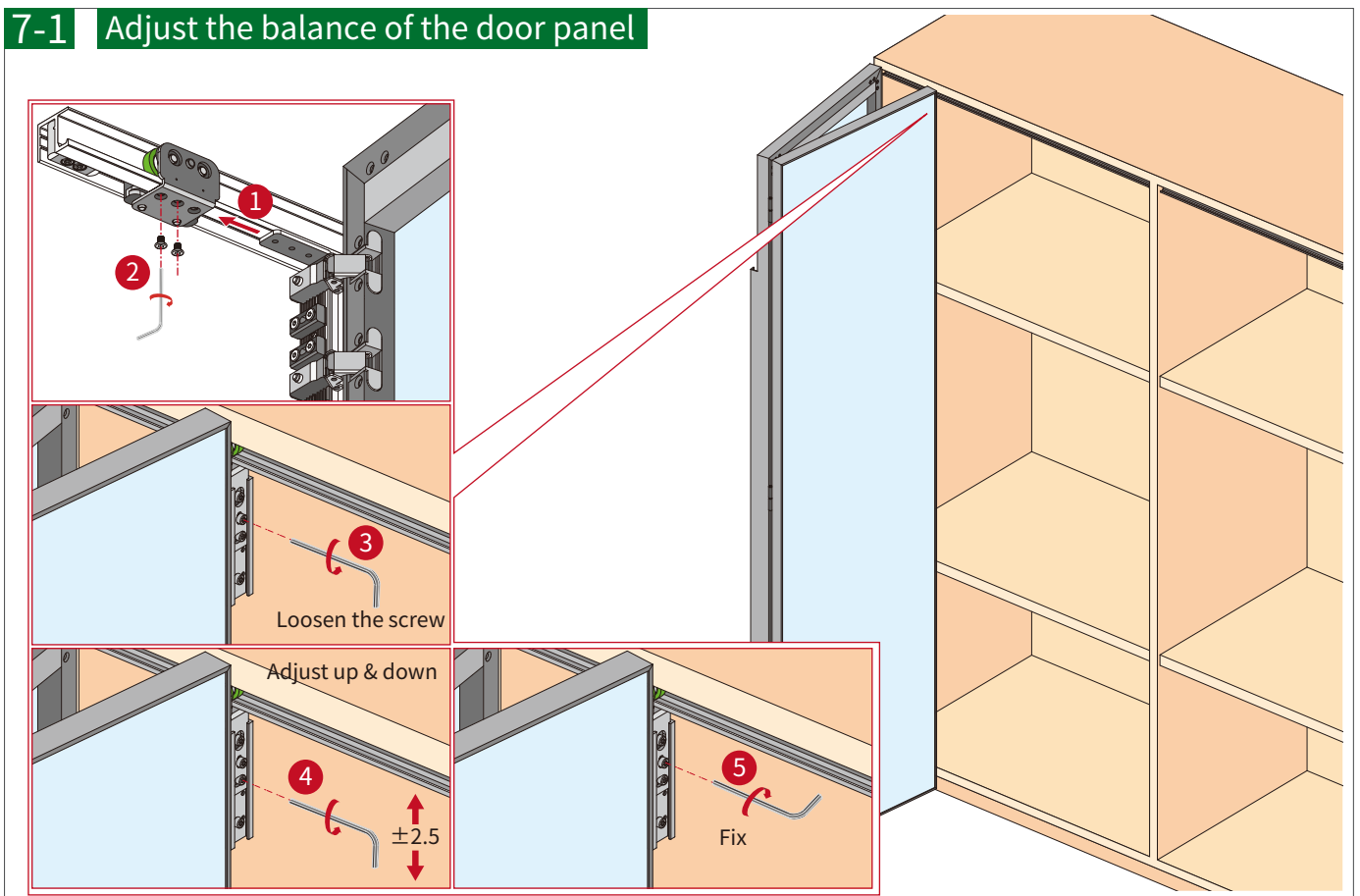
6-1 Install door panel



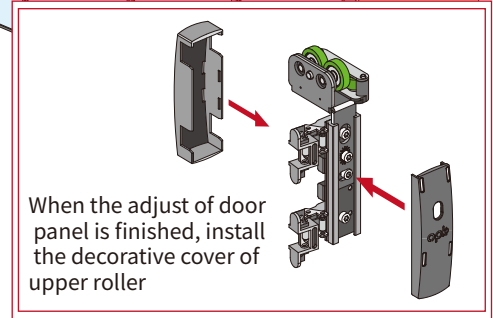
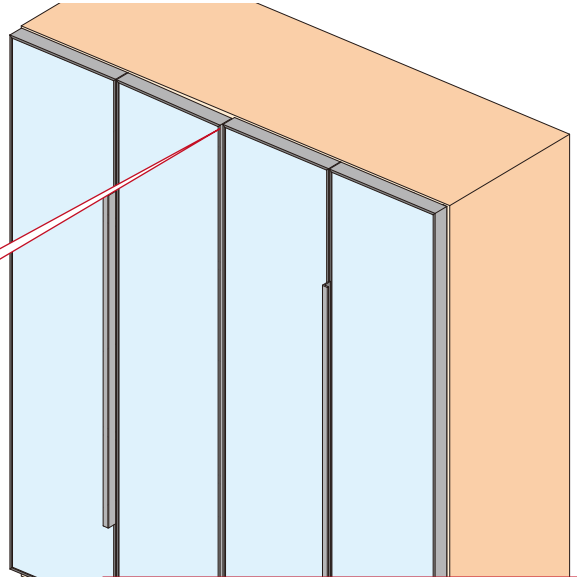
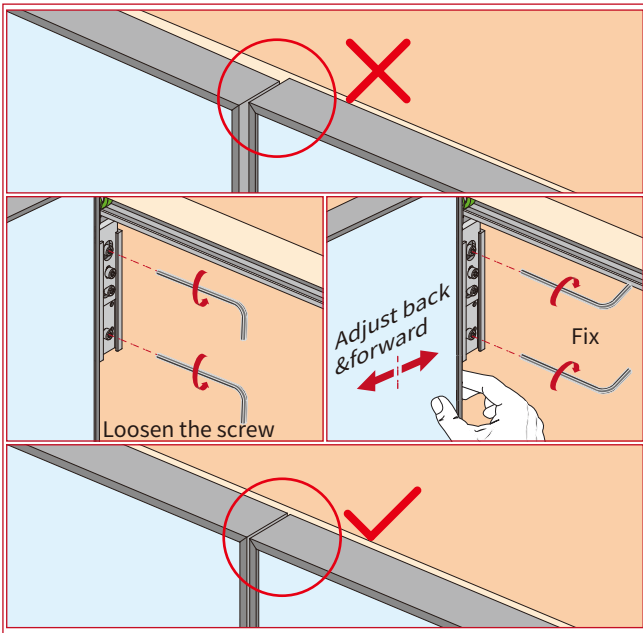
6-2 Install door panel



7-1 Adjust the balance of the door panel



7-2 Adjust the balance of the door panel



8 Location stopper

