

ADW2XX series Multi-loop meter



The product is a rail type multi-loop power meter, including MCU module and power module, including metering module, current module and voltage input module.

Functions

| Function | Description |
|-----------------------|--|
| LCD display | 8 digits |
| Measurement of Energy | kWh (positive and negative) |
| | kvarh (positive and negative) |
| | A, B, C phase positive kWh |
| Electrical parameters | U、I、P、Q、S、PF、Hz |
| Harmonic | 2~31ST Voltage and current harmonic |
| Key programming | 4 keys to communication and set parameters |
| After-current | 1-channel |
| LED alarm | over-voltage、over-current、phase interrupt、DI |
| Data | Maximum demanded kWh and time happened |
| SOE | 200 |

Electrical Performance

| | | |
|----------|-----------------|------------------|
| Input | Frequency | 45 ~ 65Hz |
| | Nominal current | 3 × 220V/380V |
| | consumption | ≤ 0.5VA |
| | current | 5A、100A |
| | Communication | RS485、Modbus-RTU |
| | Baud rate | 1200 ~ 38400 |
| Accuracy | current | class 0.5 |
| | Active power | class 1 |
| | Reactive power | class 2 |

Auxiliary functions

| | |
|---------------|---|
| (MK) | 12 DI+4 DO |
| (MTL) | 12 channels of temperature, 4 channels of after-current |
| (AWT100-2G) | 2G |
| (AWT100-4G) | 4G |
| (AWT100-NB) | NB-IoT |
| (AWT100-LoRa) | LoRa |
| (AWT100-LW) | LoRaWAN |

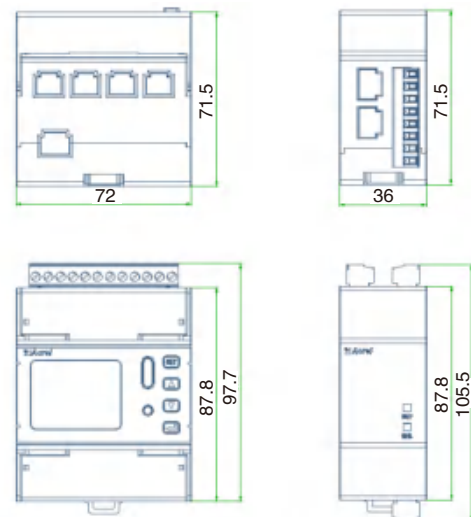
Modular parameter

| | | |
|-----|-------------------------|---------------|
| MK | DI | 12 channels |
| | DO | 4 channels |
| MTL | Temperature measurement | -20 ~ 100°C |
| | After-current | 10 ~ 3000mA |
| | Accuracy | ± 2°C、Class 1 |

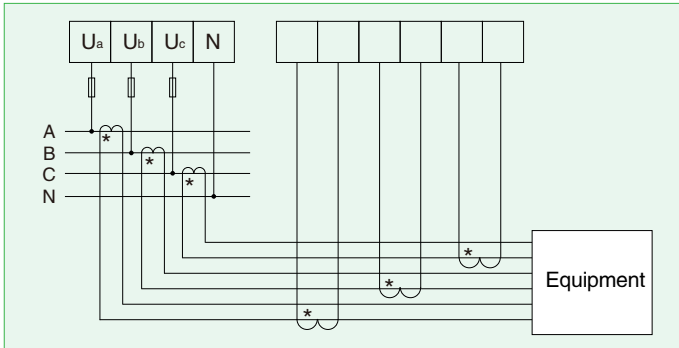
Working Environment

| | | |
|-------------|------------------------|------------|
| Temperature | Working | -25°C~55°C |
| | Storing | -40°C~70°C |
| Humidity | ≤ 95%(No condensation) | |
| Altitude | <2000m | |

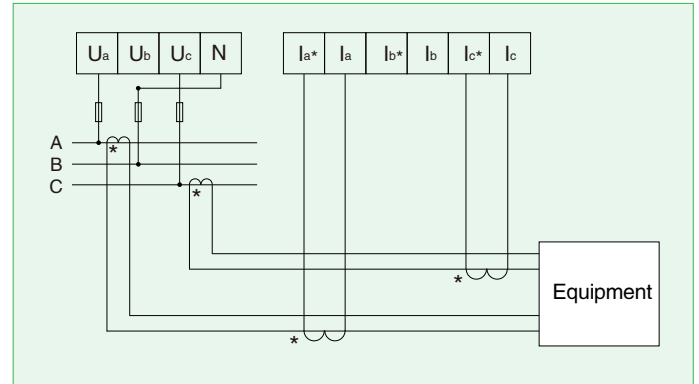
Dimensions drawings



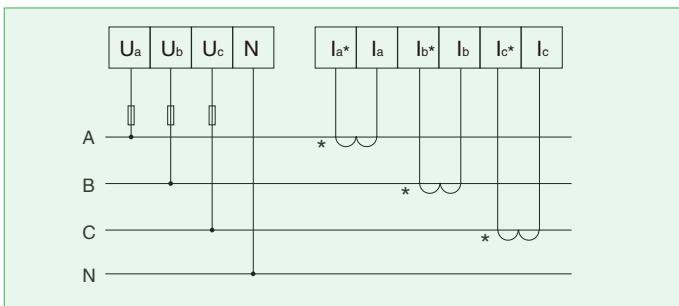
Wiring and installing



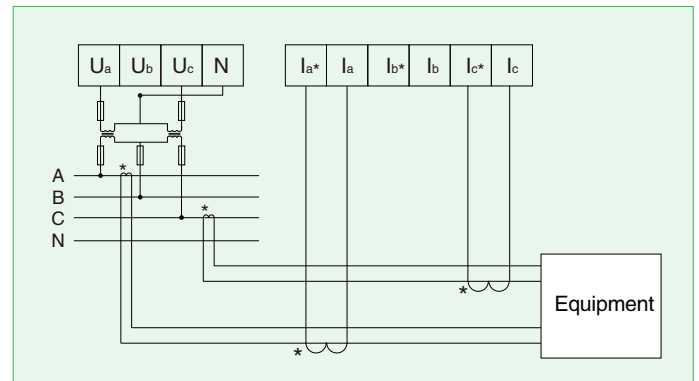
Three-phase four-wire
Voltage access via PT



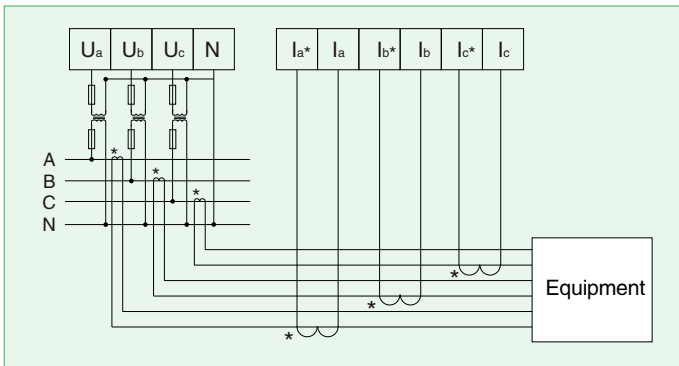
Three-phase four-wire
Voltage access via PT, ct



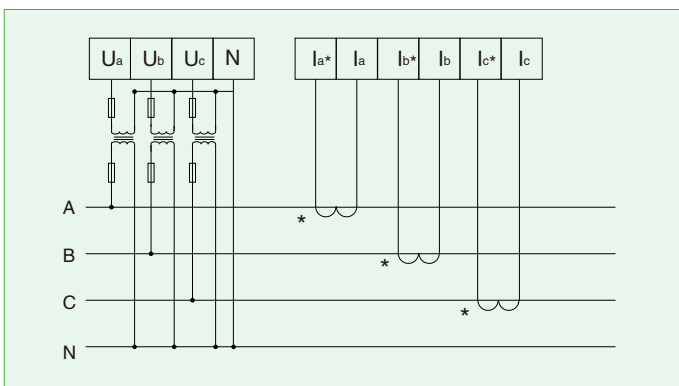
Three-phase four-wire
Voltage access via PT, ct



Three-phase three-wire
Voltage access via PT, ct



Three-phase three-wire
Voltage access via ct



Three-phase four-wire
Voltage access via ct

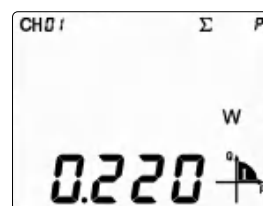
Display examples



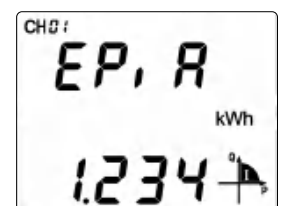
■ Voltage



■ Current



■ Power



■ Energy