

LED Surgical Light with Backup Battery System

We yuan is one of the leading operation room equipment manufacturer in China. Established in 1999. Product range: series of surgical light, medical examination light, operating table, Gynecological operating table, etc.

WYLED700/500 surgical lighting is designed for modern laminar flow operation room. It is significantly brighter, whiter and cooler than any previous technology. We can get the accurate colors with remarkable shadow control and virtually no heat emission which make our lights more comfortable to work than others. With endoscopy model, enable to be used for more occasions.



Technical Parameter		Lamp head 700	Lamp head 500
Intensity@ 1m (Lux), 100grade continues adjusted from		40,000-160,000Lux	40,000-150,000Lux
Color temperature(k), 100grade continues adjusted from		3,500-5,000k	3,500-5,000k
Color rendering index		Ra≥93%, R9≥90%	Ra≥93%, R9≥90%
Light field size(mm)		100-260	100-260
Depth of illumination 20%(L1+L2)(mm)		1400	1400
Shadow deduction %	One mask	80	70
	Two masks	60	45
	One mask one tube	45	45
	Two marks one tube	40	40
Endoscopy model		Yes	Yes
Qty of LED		80	48
Lifetime of LED Light source (hour)		≥50,000	≥50,000
LED brand		High grade Osram	High grade Osram
Diameter of light head (mm)		700	500
Power consumption(Watt)		70	65
Working distance (mm)		80-120	80-120
Sterilize handle		Yes	Yes
Lamp cap material		Die cast aluminum	Die cast aluminum
Backup battery system		24V 6Ah lithium battery, last for at least 3.5 hours once fully charged. Automatic charging Maintenance free battery	
Quality standard		ISO13485, MDR CE, Free Sales Certificate, IEC60601-1: 2005 +A1: 2012, EN/IEC60601-1-2 EMC	
Supply voltage		110-230Vac/50-60Hz	
Installation height		2.7-3.1m, low ceiling height design 2.5-2.7m	

SHANGHAI WEYUAN MEDICAL DEVICE CO., LTD

Address: No. 33 Fuqing Rd, Qingcun Town, Fengxian District, Shanghai, 201414, China

Tel: +86-21-3752 7177 +86-132 4813 0102(Whatsapp/Wechat)

Email: info@weyuansh.com, service@weyuansh.com Website: www.wesurglighting.com

WEYUAN MED

卫远医械

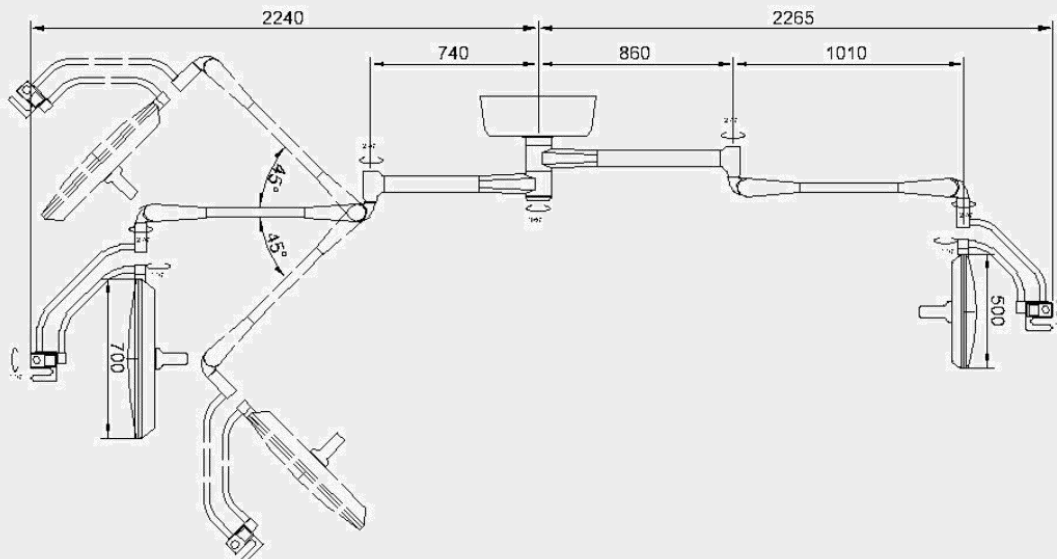


WEYUAN MED
卫远医械



Features:

- > An ideal selection for modern laminar flow operation room.
- > Uniform, homogeneous lighting for surface and deep cavity procedures with shadow management control ensure the safety.
- > True color rendition of 95%Ra, provide optimal contrast and resolution for any surgical procedure.
- > Humanity design, wide range continuous adjustment of color temperature and intensity, every doctors can find their preferable lighting.
- > One key to endoscopy model, background illumination for minimally invasive interventions.
- > High performance steady suspension system, smooth movement, prevent drift and bounce.
- > Reusable center detachable handle can take high temperature($\leq 134^{\circ}\text{C}$) sterilization treatment.
- > More than 50,000 hours effective life-time of Osram LED, extremely reduce the hospital's maintenance cost.
- > Die cast aluminum lamp cap, lightweight, durable, much better heat dissipation, shape of the dome is streamlined for easy cleaning and sterilization.
- > Powder coating process, glossy appearance, anti bacterial and anti corrosion, easy to clean.
- > 6D Balanced system has more than 4 joints, can be rotated in 360° , possess fatigue correcting unit, easy to move and positioning.
- > R-free light will not overheating in the surgical area and on the surgeon's head.
- > Low power consumption and durable LEDs minimize the impact on the environment.
- > Durable and reliable Taiwan brand switch power supply.
- > Micro computer digital control system offers illuminance memory function, ease of use.
- > Focusing the light field by clockwise or anti-clockwise the center sterilization handle.
- > Control panel embedded on yoke, button control the lighting intensity and color temperature.



SHANGHAI WEYUAN MEDICAL DEVICE CO., LTD

Address: No. 33 Fuqing Rd, Qingcun Town, Fengxian District, Shanghai, 201414, China

Tel: +86-21-3752 7177 +86-132 4813 0102(Whatsapp/Wechat)

Email: info@weyuansh.com, service@weyuansh.com Website: www.wesurglighting.com

WEYUAN MED

卫远医械