

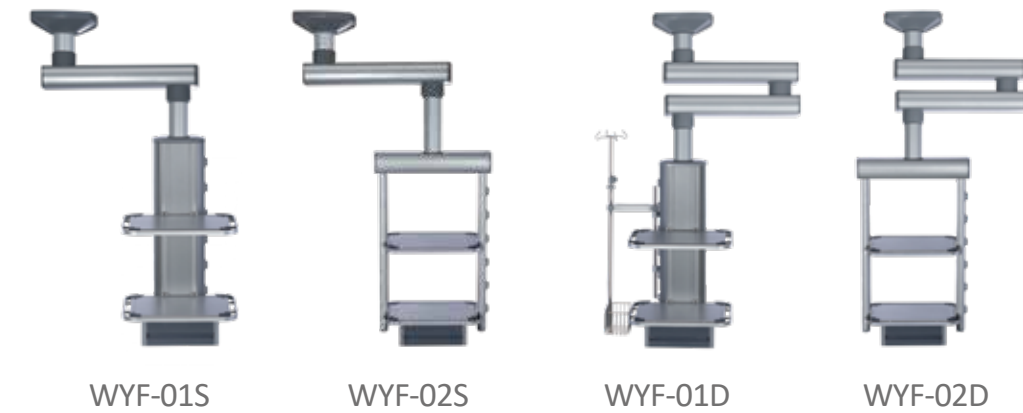
WYD-01/02 Series

Medical Pendant >>>

Application area: Operating theater, emergency room, endoscopic room, etc.

>>> Features:

- Classic and streamlined overall design convenient for medical personnel to clean and disinfect
- Ergonomic control console for easy positioning and maneuver
- More trays, drawers, gas outlets, power supply, Internet and telephone interface can be adjusted according to hospital's needs
- Modular design, flexible and diverse configurations
- Optional color of gray and white



>>> Technical Parameter:

| Arm rotating angle | Pendant cantilever length | Function column height | Load capacity | Brake mode | Drawer |
|--------------------|---|------------------------|--|------------|--------------|
| 340° | Single arm: 900mm Double arm: 900m(upper)+700mm(lower) | 1000mm | Single arm: 350KG Double arm: 250KG | Mechanical | Self-suction |

WYE-01/02 Series

Electric Medical Pendant >>>

Application area: Operating theater, emergency room, endoscopic room, etc.

>>> Features:

- Quality aluminum alloy treated with powder painting and rust prevention
- Maximum 350kg load-bearing capacity can easily integrate various medical equipment
- Humanized design takes the medical staffs within reach and handy
- Adjustable height for integrated high-loading tray
- Modular design, flexible and diverse configurations
- Color of gray to prevent visual fatigue



>>> Technical Parameter:

| Arm rotating angle | Pendant cantilever length | Lifting range | Function column height | Load capacity | Brake mode | Drawer |
|--------------------|--|---------------|------------------------|--|------------|--------------|
| 340° | Single arm: 900mm Double arm: 900mm(upper)+700mm(lower) | 550mm | 1000mm | Single arm: 350KG Double arm: 250KG | Mechanical | Self-suction |

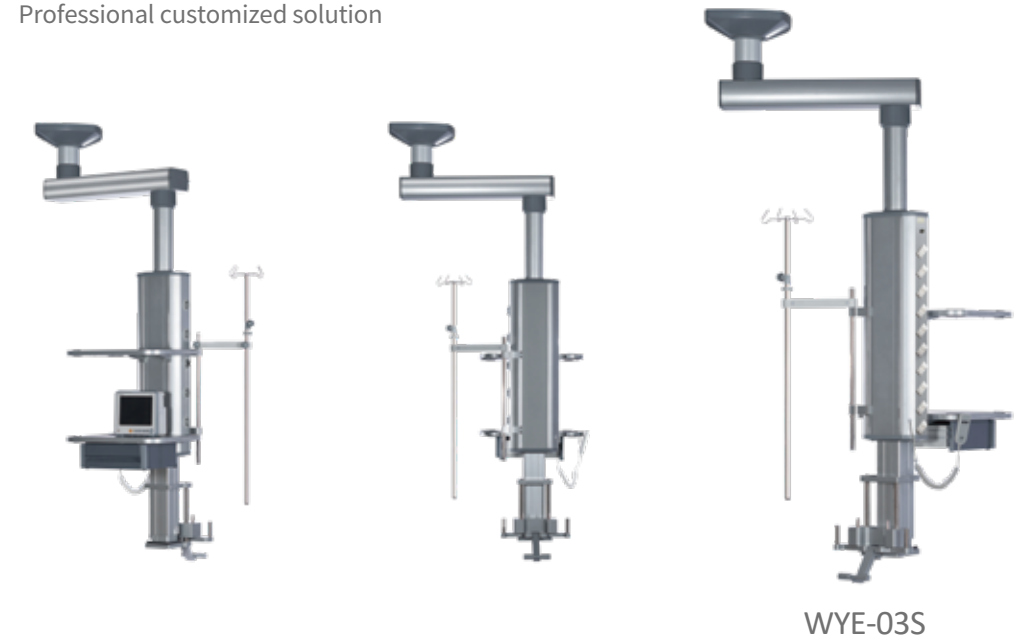
WYE-03 Series

Electric Anesthesia Pendant >>>

Application area: Specially designed for anesthesiology department.

>>> Features:

- Maximum 350kg load-bearing capacity can easily lift anesthesia machine
- 300mm lifting distance effectively extending clinical applicability
- Humanized design takes the medical staffs within reach and handy
- Main color of gray to prevent visual fatigue and create a relaxed and comfortable environment for medical personal
- Professional customized solution



>>> Technical Parameter:

| Arm rotating angle | Pendant cantilever length | Lifting range | Function column height | Load capacity | Brake mode | Drawer |
|--------------------|--|---------------|------------------------|--|------------|--------------|
| 340° | Single arm: 900mm Double arm: 900mm(upper)+700mm(lower) | 300mm | 1000mm | Single arm: 350KG Double arm: 250KG | Mechanical | Self-suction |

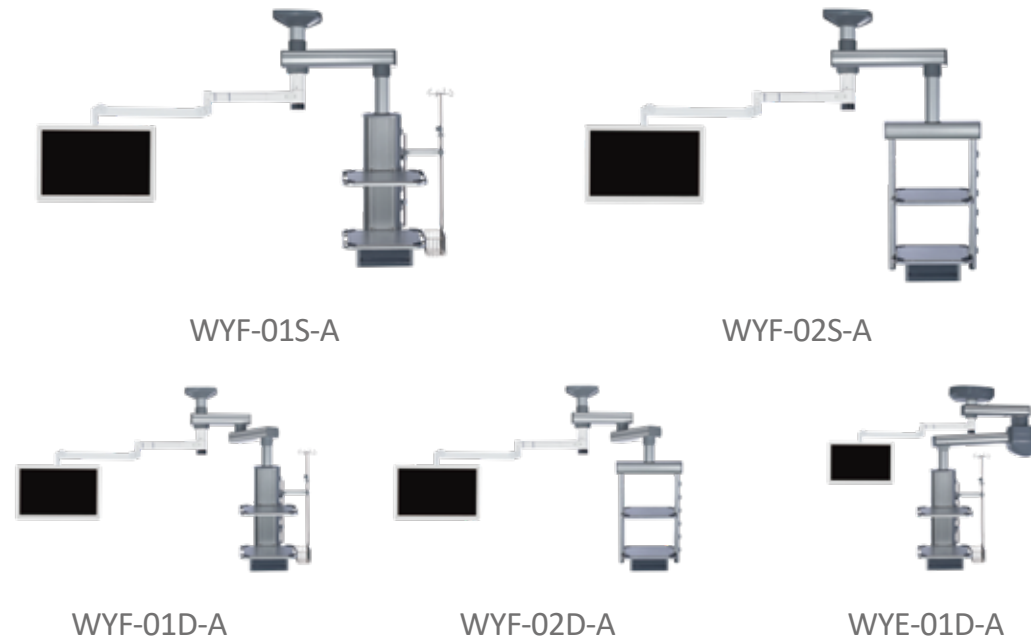
WYF-01/02 Series

Endoscopy Medical Pendant >>>

Application area: Operating theater, endoscopic room, etc.

>>> Features:

- Equipped with medical gas , power supply, network communication and video socket, etc
- Optional medical grade display monitor with split screen function, which can display the patient data, monitoring information and real-time surgeries, etc
- 900mm cantilever length effectively extending clinical applicability
- Professional customized solution



>>> Technical Parameter:

| Arm rotating angle | Pendant cantilever length | Function column height | Load capacity | Brake mode | Drawer |
|--------------------|--|------------------------|--|------------|--------------|
| 340° | Single arm: 900mm Double arm: 900mm(upper)+700mm(lower) | 1000mm | Single arm: 350KG Double arm: 250KG | Mechanical | Self-suction |

WYC-X/Z Series

Medical Pendant Tower >>>

Application area: Operating room, emergency room, recovery room, ICU,CCU, NICU, PICU and other intensive care units.

>>> Features:

- Compact structure and simplified function configuration to cover small medical spaces
- Dry and wet zone in one, easy to use and save space
- More trays, drawers, gas outlets, power supply, Internet and telephone interface can be adjusted according to hospital's needs
- Option color of gray and white



>>> Technical Parameter:

| Rotating angle | Function column height | Load capacity | Brake Mode | Drawer |
|----------------|------------------------|---------------|------------|--------------|
| 340° | 1000mm | 300KG | Mechanical | Self-suction |

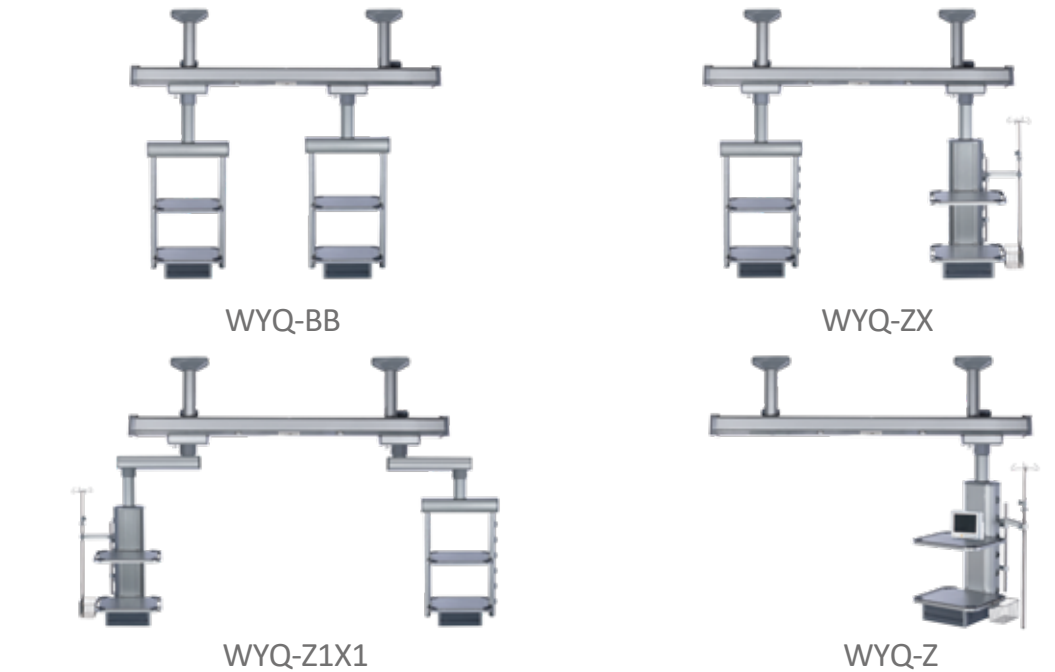
WYQ-B/Z Series

ICU Bridge Pendant >>>

Application area: Recovery room, ICU, CCU, NICU, PICU and other intensive care units.

>>> Features:

- Can easily integrate various medical equipment, do not take space of ICU Floor
- LED lighting created comfortable and nice environments for both medical staffs and patients
- Main color of gray to prevent visual fatigue and create a relaxed and comfortable environment
- Separately dry and wet zone



>>> Technical Parameter:

| Beam length | Function column height | Rotating angle | Sliding distance | Load capacity |
|-------------|------------------------|----------------|------------------|---------------|
| 2800mm | 1000mm | 340° | 500mm | 150KG |